



An Oshkosh Corporation Company



6000 SERIES

Telescopic Crane

The new IMT 6000 Series telescopic crane has been redesigned to reduce weight without sacrificing performance. 30 percent lighter than before, the 6000 features a redesigned boom tip for outstanding precision and maneuverability. Combine it with the IMT Dominator® I mechanics truck to create the ultimate lightweight service truck package.

6000 SPECIFICATIONS



Max. Lift Capacity	Crane Rating	Crane Weight	Max. Horizontal Reach*	Max. Vertical Reach	Extension	Rotation	Min. GVWR**
6000 lb (2720 kg)	39,000 ft-lb (5.9 tm)	1250 lb (567 kg)	21' 1" (6.4 m)	23'-9" (7.2 m)	2 Hydraulic	400°	19,500 lb (8845 kg)

*From centerline of rotation

**The gross vehicle weight rating (GVWR) is a minimum guideline. Contact IMT if you have questions regarding your particular installation.



Redesigned boom tip offers outstanding precision and maneuverability

> STANDARD FEATURES

- Proportional “pistol grip” radio remote control
- Increased capacity
- Patented hook stow
- Anti-two block (A2B) protection



RADIO REMOTE CONTROL

Our pistol grip handle is ergonomic while increasing comfort and decreasing hand fatigue.

> OPTIONS

- LED boom tip lights
- Single proportional radio remote control



RADIO REMOTE CONTROL RECEIVER

To simplify troubleshooting and increase productivity, our radio remote control receiver provides an LED readout detailing error codes. It also uses programmable logic for precise control of individual functions.

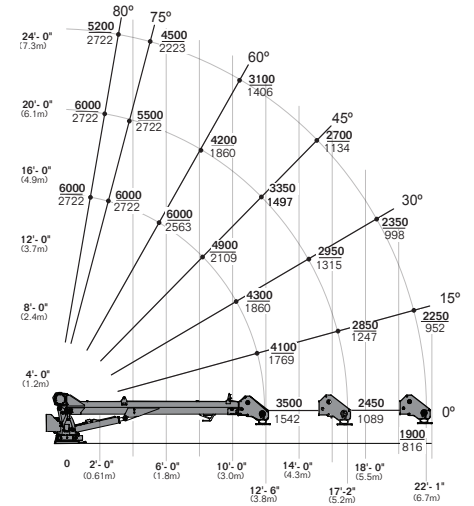
> MIN. IMT BODY SIZES

- Dominator I
- Dominator II
- Dominator III



REDESIGNED BOOM TIP

Redesigned boom tip offers outstanding precision and maneuverability.



22' BOOM

Increased lift capacity in critical load zones

NOTHING SAYS COMMITMENT LIKE THE DIAMOND.™



An Oshkosh Corporation Company

Iowa Mold Tooling Co., Inc. | 500 Highway 18 West | Garner, Iowa 50438 | 800-247-5958 | imt.com

IMT reserves the right to make changes in engineering, design, and specifications; add improvements; or discontinue manufacturing at any time without notice or obligation. IMT, the IMT logo, Dominator and NOTHING SAYS COMMITMENT LIKE THE DIAMOND are registered trademarks or trademarks of Iowa Mold Tooling Co., Inc., Garner, IA, USA. © 2020 Iowa Mold Tooling Co., Inc. All Rights Reserved.

