



An Oshkosh Corporation Company



DSC20

Mechanics Body

IMT® DSC20 mechanics trucks are designed to be lightweight yet heavy-duty. Featuring a patented floor design to control unit weight and increase payload — as well as an integrated body, air compressor, and crane system — these trucks have a maximum body rating of 20,000 ft-lb (3.1 tm). And with a variety of possible configurations and the option to be paired with or without a crane, the DSC20 delivers the flexibility and convenience you need to do your job.

> BASE BODY SPECIFICATIONS

Body Size	9'	11'	11'	11'	11'	11'
Body Configuration	LH & RH STD	LH & RH STD	RF RSD	LF RSD	LF & RF RSD	ALL RSD
Body Rating	20,000 ft-lb	20,000 ft-lb	20,000 ft-lb	20,000 ft-lb	20,000 ft-lb	20,000 ft-lb
Body Weight ^{1, 3}	1850 lb	2200 lb	2250 lb	2250 lb	2300 lb	3500 lb
Body Width	96"	96"	96"	96"	96"	96"
Storage Capacity ³	97.2 ft ³	120.5 ft ³	131.3 ft ³	131.3 ft ³	142.2 ft ³	142.2 ft ³
Angle of Departure	N/A	N/A	N/A	N/A	N/A	N/A
Chassis CA ²	60"	84"	84"	84"	84"	84"
Max. IMT Crane Model	2020	2020	2020	2020	2020	2020

¹ Includes doors, sidepicks, workbench. ² Does not include welder deck. ³ Body weight and storage capacity are estimated based on product configuration.



> STANDARD FEATURES

- Three-Point Access
- IMT Compartment Coating (VOC-compliant polyurethane modified multicolor spray finish)
- Multiplex electrical system with programmable logic
- Body rating — 20,000 ft-lb (3.1 tm)
- Patented inverted A-Frame design
- System integration including body, crane and air compressors



REAR ACCESS PACKAGE

Featuring an extended handle for an easy grip and an extra step, the standard rear access package improves accessibility and is available curbside and roadside.

> OPTIONS

- High-Intensity LED Lighting Package
- Manual Stabilizers
- Axalta Bedliner
- IMT SiteStar® Lube Skid
- Drawer Sets, Adjustable Shelves, Bolt Bins
- Workbench Vises and Vise Plates
- Energy-Absorbing Boom Support
- Compartment Pressurization System
- Compressed Air and Welding Systems
- Salvage System
- Headache Rack
- Telescopic Roof
- Master Locks

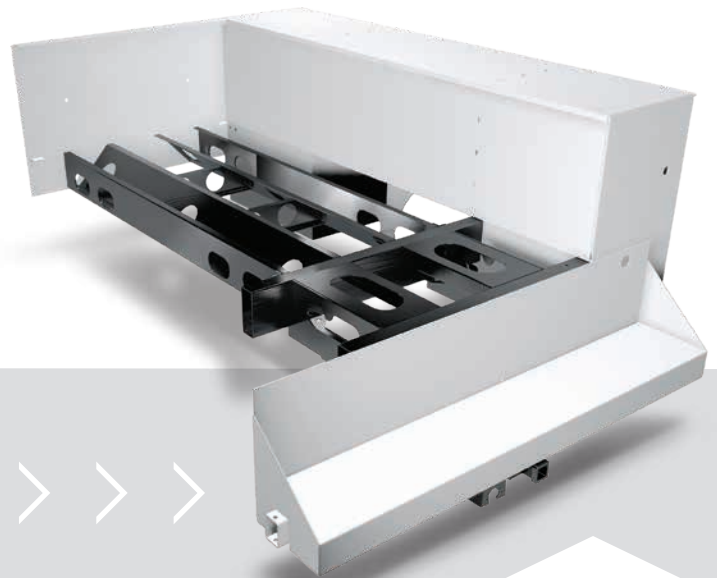


HIGH-INTENSITY LED LIGHTING

LED light bars provide superior light penetration for enhanced visibility.

> COMPATIBLE IMT CRANES

- | ELECTRIC | HYDRAULIC |
|----------|-----------|
| • 2020E | • 2020 |
| • 1015E | • 1015 |



BODY SUBSTRUCTURE

Patented A-Frame design with integrated crane box is engineered for maximum strength and weight reduction.



An Oshkosh Corporation Company

NOTHING SAYS COMMITMENT LIKE THE DIAMOND.™

Iowa Mold Tooling Co., Inc. | 500 Highway 18 West | Garner, Iowa 50438 | 800-247-5958 | imt.com

IMT reserves the right to make changes in engineering, design, and specifications; add improvements; or discontinue manufacturing at any time without notice or obligation. IMT, the IMT logo, Dominator and NOTHING SAYS COMMITMENT LIKE THE DIAMOND are registered trademarks or trademarks of Iowa Mold Tooling Co., Inc., Garner, IA, USA. © 2019 Iowa Mold Tooling Co., Inc. All Rights Reserved.



REV 10/19