



An Oshkosh Corporation Company



DOMINATOR® IV

Mechanics Body

With enhanced strength and stability for higher crane loads, numerous configuration possibilities, and a body rating of 95,000 ft-lb (13.3 tm), the Dominator IV mechanics truck offers exceptional performance in virtually any industry. With the Dominator IV mechanics truck, you don't have to bring your equipment into the shop for service, because the shop comes to you.

> BASE BODY SPECIFICATIONS

Body Size	14' (4.3 m)	14' (4.3 m)	14' (4.3 m)	14' (4.3 m)	19' (5.8 m)	19' (5.8 m)
Body Configuration ⁴	LH, RF RSD	LF, RF RSD	LH AR, RH RSD	RF, LH RSD	LH, RH	RF RSD
Body Rating	95,000 ft-lb (13.3 tm)	95,000 ft-lb (13.3 tm)	95,000 ft-lb (13.3 tm)	95,000 ft-lb (13.3 tm)	95,000 ft-lb (13.3 tm)	95,000 ft-lb (13.3 tm)
Body Weight ^{1, 3}	5758 lb (2611.8 kg)	5827 lb (2643.1 kg)	5907 lb (2679.3 kg)	5873 lb (2663.9 kg)	7343 lb (3330.7 kg)	7279 lb (3301.7 kg)
Body Width	98" (2.5 m)	98" (2.5 m)	98" (2.5 m)	98" (2.5 m)	98" (2.5 m)	98" (2.5 m)
GVWR	33,000+	33,000+	33,000+	33,000+	33,000+	33,000+
Storage Capacity ²	203.8 ft ³ (5.8 m ³)	225.4 ft ³ (6.4 m ³)	219.6 ft ³ (6.2 m ³)	211.6 ft ³ (6 m ³)	281.1 ft ³ (8 m ³)	268.7 ft ³ (7.6 m ³)
Angle of Departure	14°	14°	14°	14°	14°	14°
Chassis CA ²	120" (3.0 m)	120" (3.0 m)	120" (3.0 m)	120" (3.0 m)	150" (3.8 m)	150" (3.8 m)
Max. IMT Crane Model	14000 30'	14000 30'	14000 30'	14000 30'	14000 30'	14000 30'

¹ Includes doors, side packs, workbench. ² Does not include welder deck. ³ Body weight and storage capacity are estimated based on product configuration. ⁴ Standard (STD) = 52", Raised (RSD) = 60"



> STANDARD FEATURES

- IMT Patented Inverted A-Frame Design
- Three-Point Access Package
- Multiplex Electrical System with Programmable Logic
- IMT Compartment Coating (VOC-compliant polyurethane modified multicolor spray finish)
- Workbench Bumper



REAR ACCESS PACKAGE

Featuring an extended handle for an easy grip and an extra step, the standard rear access package improves accessibility and is available curbside and roadside.

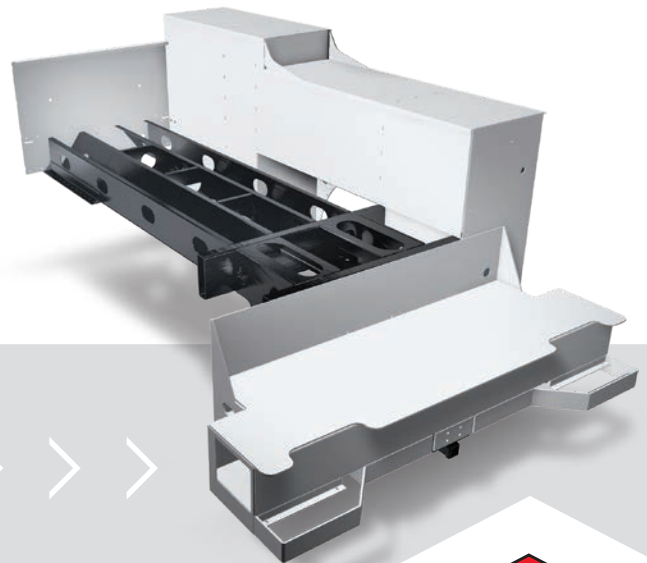
> OPTIONS

- High-Intensity LED Lighting Package
- Axalta Bedliner
- IMT SiteStar® Lube Skid
- Drawer Sets, Adjustable Shelves
- Stabilizers
- Workbench Vises and Vise Plates
- Energy-Absorbing Boom Support
- Compartment Pressurization System
- Compressed Air and Welding Systems
- Headache Rack
- Telescopic Roof
- Master Locks



HIGH-INTENSITY LED LIGHTING

LED light bars provide superior light penetration for enhanced visibility.



BODY SUBSTRUCTURE

Patented A-Frame design with integrated crane box is engineered for maximum strength and weight reduction.



NOTHING SAYS COMMITMENT LIKE THE DIAMOND.™



An Oshkosh Corporation Company

Iowa Mold Tooling Co., Inc. | 500 Highway 18 West | Garner, Iowa 50438 | 800-247-5958 | imt.com

IMT reserves the right to make changes in engineering, design, and specifications; add improvements; or discontinue manufacturing at any time without notice or obligation. IMT, the IMT logo, Dominator, NOTHING SAYS COMMITMENT LIKE THE DIAMOND and SiteStar are registered trademarks or trademarks of Iowa Mold Tooling Co., Inc., Garner, IA, USA. © 2018 Iowa Mold Tooling Co., Inc. All Rights Reserved.

