



Model 425A Crane

ADDENDUM Model 425 Crane Volume 2 - Parts and Specifications

This manual is an addendum to Volume 2, Parts and Specifications, Model 425 Crane (99900268). It contains only those parts assemblies which are unique to the Model 425A Crane. See Volume 2 for standard parts, specifications and reference information.

IOWA MOLD TOOLING CO., INC.

BOX 189, GARNER, IA 50438-0189

TEL: 641-923-3711

TECHNICAL SUPPORT FAX: 641-923-2424

MANUAL PART NUMBER 99901229

Iowa Mold Tooling Co., Inc. is an Oshkosh Truck Corporation company.

TABLE OF CONTENTS

BASE & PWR OUT OUTRIGGER ASM (41714740)..... 3
HYDRAULIC KIT-8 SECT W/PWR OUT & WINCH (91714746) 4
VALVEBANK ASM-5R2M (51714744) 5
VALVEBANK (51714742) 5
VALVEBANK ASM-1 SECT CS OR (51714745) 5
PROP'L RMT CONTROL KIT-5R/2M (90714743-1)..... 6
PROP'L RMT CONTROL KIT-5R/2M (90714743-2)..... 7

REVISIONS LIST

DATE	LOCATION	DESCRIPTION OF CHANGE
20061030	1-1	NEW OWNERSHIP STATEMENT

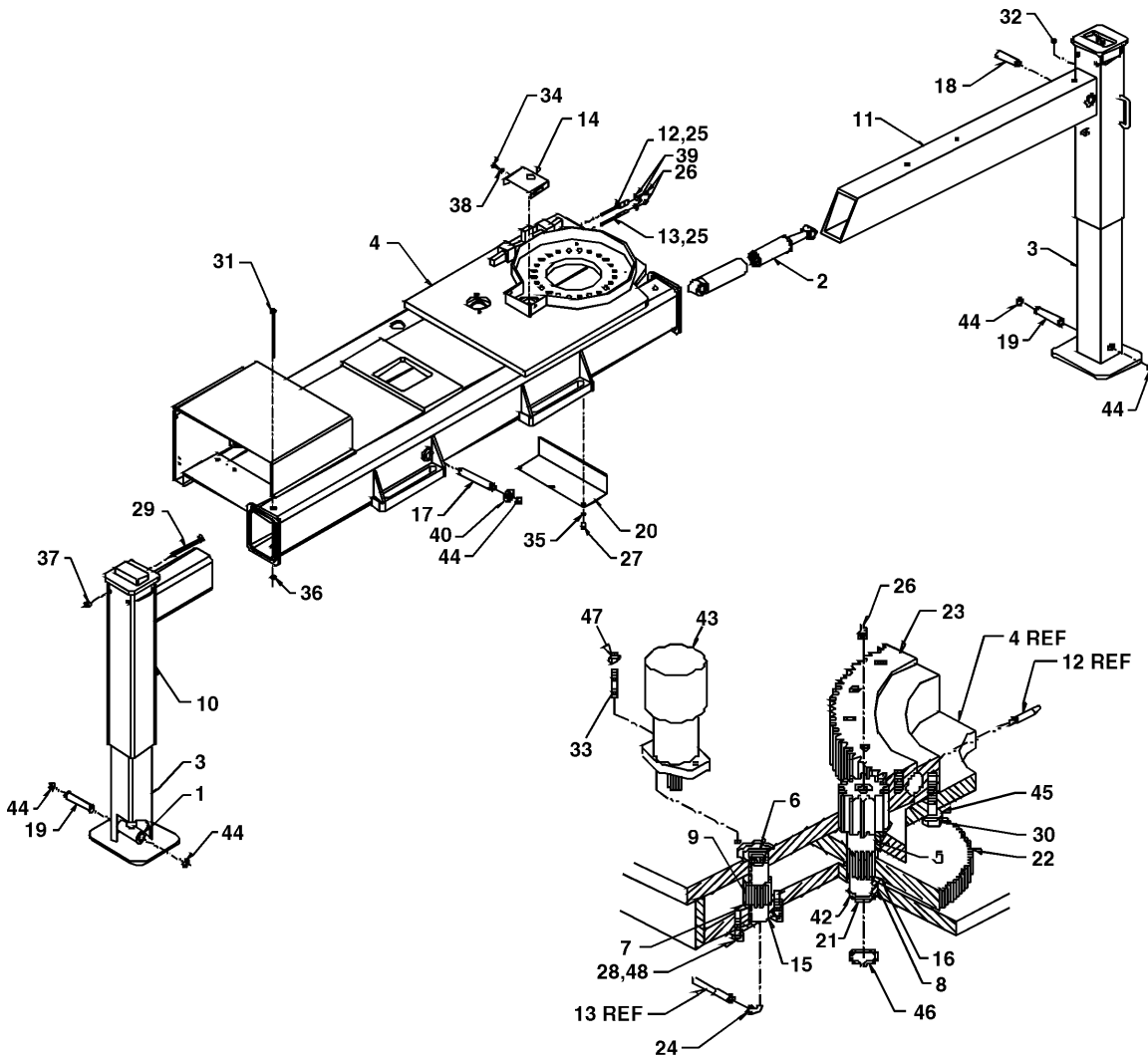
**BASE & PWR OUT OUTRIGGER ASM
(41714740)**

1.	3B166820	CYLINDER - POWER DOWN	2
2.	3B241801	CYLINDER - POWER OUT	1
3.	52704868	OUTRIGGER LEG	2
4.	52714741	BASE (INCL: 5-9)	1
5.	60020114	BUSHING (PART OF 4)	1REF
6.	60020115	BUSHING (PART OF 4)	1REF
7.	60020116	BUSHING (PART OF 4)	1REF
8.	60020154	BUSHING (PART OF 4)	1REF
9.	71056011	DRIVE GEAR (PART OF 4)	1REF
10.	52709082	OUTRIGGER ARM - STAT	1
11.	52709083	OUTRIGGER ARM - ADJ	1
12.	53000702	GREASE EXT 17"	1
13.	53000711	GREASE EXT 23"	1
14.	60010235	PINION COVER	1
15.	60010844	GREASE PLATE	1
16.	60104694	PINION SPACER	1
17.	60106065	PIN	1
18.	60106066	PIN	1
19.	60106968	PIN	2
20.	60107167	GEAR COVER	1
21.	71056010	PINION GEAR	1
22.	71056012	INTERMEDIATE GEAR	1
23.	71056062	TURNTABLE GEAR BEARING	1
24.	72053281	STREET ELBOW 1/8NPT 90°	1
25.	72053301	COUPLING 1/8 NPT	2
26.	72053508	ZERK 1/8NPT	3
27.	72060046	CAP SCR 3/8-16X1 HHGR5	3

28.	72060092	CAP SCR 1/2-13X1-1/4 HHGR5	2
29.	72060102	CAP SCR 1/2-13X5-1/2 HHGR5	4
30.	72060151	CAP SCR 5/8-11X2 HHGR8	23
31.	72060164	CAP SCR 5/8-11X8 HHGR5	1
32.	72060579	SET SCR 3/8-16X1/2 SH	1
33.	60106032	STUD 1/2-13 X 2	2
34.	72060833	SCR 5/16-18X3/4 SLFTPG	2
35.	72063051	WASHER 3/8 LOCK	3
36.	72062091	NUT 5/8-11 LOCK	1
37.	72062107	NUT 1/2-13 CTR LOCK	4
38.	72063002	WASHER 5/16 WRT	2
39.	72063003	WASHER 3/8 WRT	2
41.	72063034	MACH BUSHING 1X10GA	2
42.	72063035	MACH BUSHING 1-1/4X10GA	1
43.	73051384	MOTOR	1
44.	72066125	RETAINING RIG 1" HD	6
45.	72063119	WASHER 5/8 HARDENED	23
46.	72066084	RETAINING RING 1-1/4 STD	1
47.	72062080	NUT 1/2-13 LOCK	2
48.	72063053	WASHER 1/2-13 LOCK	2

WARNING

Anytime a gear-bearing bolt is removed, it must be replaced with a new bolt of the identical grade and size. Failure to replace gear-bearing bolts may result in bolt failure due to metal fatigue causing serious injury or death.

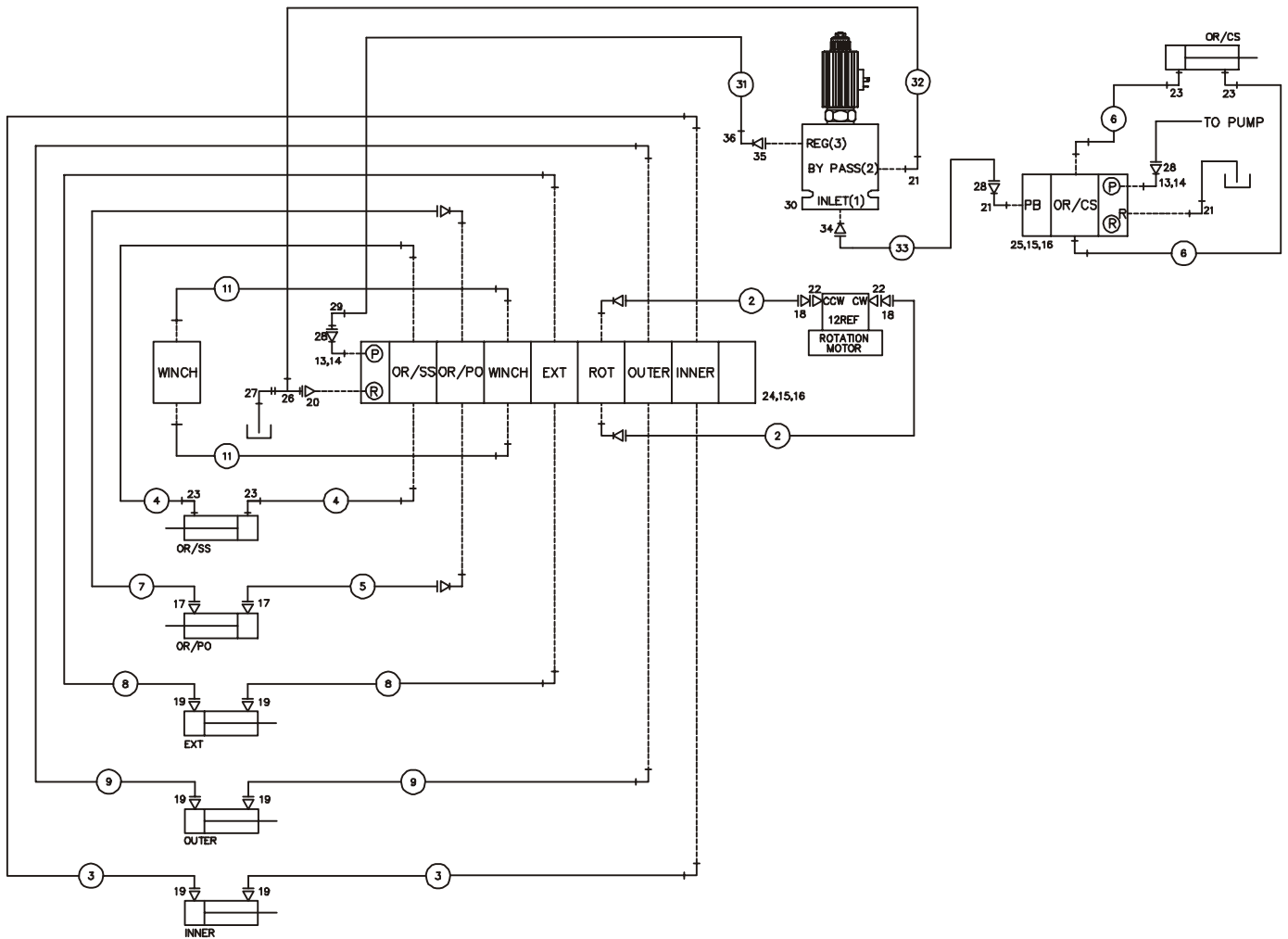


GEAR INSTALLATION DETAIL

NOTE: TURNTABLE BEARING BACKLASH = .006-.010"

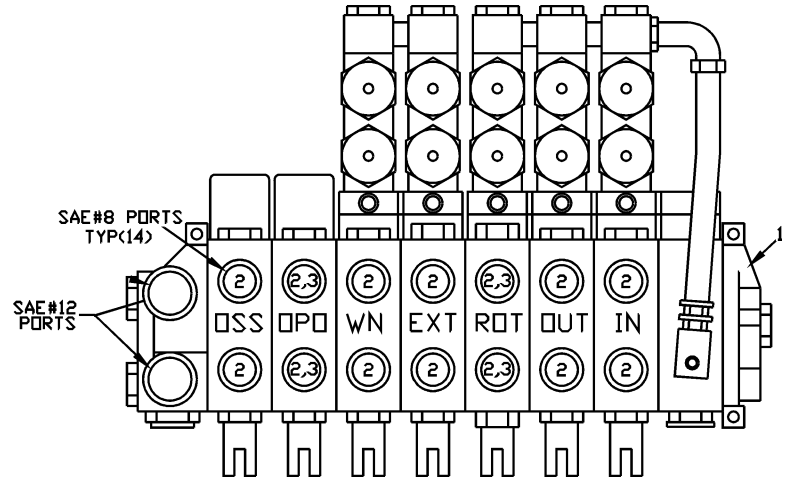
HYDRAULIC KIT-8 SECT W/PWR OUT & WINCH (91714746)

1.	51714747	HOSE KIT (INCL:2-12,31-33)	1	19.	72532358	ADAPTER #8MSTR #8MJIC	6
2.	51394160	HOSE-FF .25X58 #4#4(PART OF 1)	2REF	20.	72532366	ADAPTER #12MSTR #12MJIC	1
3.	51394462	HOSE-FF .38X153 #8#8(PART OF 1)	2REF	21.	72053767	ELBOW #12MSTR #12MJIC 90°	3
4.	51394588	HOSE-FF .38X41 #8#8(PART OF 1)	2REF	22.	72532722	ADAPTER #10MSTR #6FSTR	2
5.	51394581	HOSE-FF .25X40.5 #4#4(PART OF 1)	1REF	23.	72532779	ELBOW #6MSTR #8MJIC XLG	4
6.	51395467	HOSE-FF .38X91 #8#8(PART OF 1)	2REF	24.	51714744	VB ASM-7 SECT 5R/2M WN PO	1
7.	51395468	HOSE-FF .25X36 #4#4(PART OF 1)	1REF	25.	51714745	VB ASM-1 SECT CS OR	1
8.	51395469	HOSE-FF .38X267 #8#8(PART OF 1)	2REF	26.	72532950	TEE #12JIC SWVLNUTRUN	1
9.	51395470	HOSE-FF.38X213 #8#8(PART OF 1)	2REF	27.	72532696	ELBOW #12MJIC #12FJIC SWVL	1
11.	51395472	HOSE-FF .38X297 #8#8(PART OF 1)	2REF	28.	72532972	ADAPTER #8MJIC #12FJIC	3
13.	60106322	ELBOW-PR GAUGE MOD	2	29.	72532658	ELBOW #8MJIC #8FJIC SWVL	1
14.	72053412	PIPE PLUG .25SQHD	2	30.	73054876	VALVE-PROP NL PRIORITY FLOW	1
15.	72060033	CAP SCR .25-18X3 HHGR8	6	31.	51395525	HOSE-FF .50X34 #8#8(PART OF 1)	1REF
16.	72062109	NUT .31-18 HEX LOCK	6	32.	51395527	HOSE-FF .75X34 #12#12(PART OF 1)	1REF
17.	72532351	ADAPTER #4MSTR #4MJIC	2	33.	51395526	HOSE-FF .50X86 #8#8(PART OF 1)	1REF
18.	72532353	ADAPTER #6MSTR #4MJIC	2	34.	72532951	ADAPTER #12MSTR #8FSTR	1
				35.	72532360	ADAPTER #12MSTR #8MJIC	1
				36.	72053763	ELBOW #8MSTR #8MJIC 90°	1



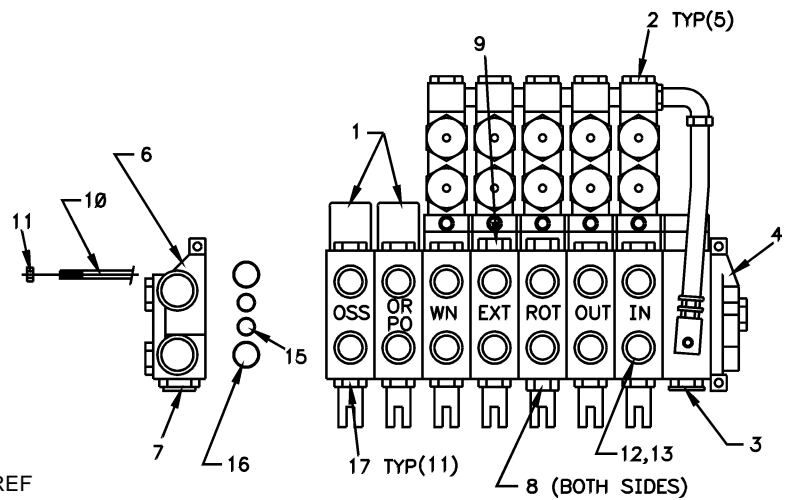
VALVEBANK ASM-5R2M (51714744)

- | | | | |
|----|----------|-------------------------|----|
| 1. | 51714742 | VALVEBANK 7-SECT 5R/2M | 1 |
| 2. | 72053777 | ELBOW #8MSTR #8MJIC 45° | 14 |
| 3. | 72532665 | ADAPTER #4MJIC #8FJIC | 4 |



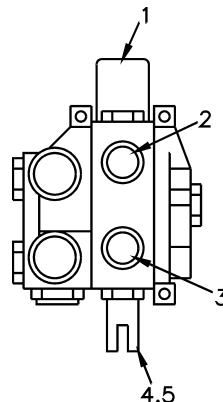
VALVEBANK (51714742)

- | | | | |
|-----|----------|--------------------------|-------|
| 1. | 73054432 | VALVE SECT V20 4WAY | 2 |
| 2. | 73054468 | VALVE SECT V20R 4WAY | 5 |
| 3. | 73054502 | VALVE SECT V20R UTIL | 1 |
| 4. | 73731241 | END COVER RH W/CONV PLUG | 1 |
| 6. | 73731424 | END COVER LH (INCL:7) | 1 |
| 7. | 73054673 | RELIEF VALVE (PART OF 6) | 1 REF |
| 8. | 73054516 | RELIEF 1300PSI NON-ADJ | 2 |
| 9. | 73054007 | RELIEF 1800PSI NON-ADJ | 1 |
| 10. | 73014668 | STUD 3/8X17 | 3 |
| 11. | 72062037 | NUT 3/8-24 HEX | 6 |
| 12. | 70142402 | ORIFICE PLATE | 1 |
| 13. | 70142403 | SPRING | 1 |
| 14. | 51393494 | O-RING KIT | REF |
| 15. | 7Q072117 | O-RING | 18 |
| 16. | 7Q072119 | O-RING | 18 |
| 17. | 73054010 | LOAD CHECK PLUG | 11 |



VALVEBANK ASM-1 SECT CS OR (51714745)

- | | | | |
|----|----------|-------------------------|---|
| 1. | 51703627 | VALVEBANK 1-SECT | 1 |
| 2. | 72053763 | ELBOW #8MSTR #8MJIC 90° | 1 |
| 3. | 72532666 | ELBOW #8MSTR #8MJIC XLG | 1 |
| 4. | 70142462 | VALVE HANDLE | 1 |
| 5. | 94731839 | LINK & PIN KIT | 1 |



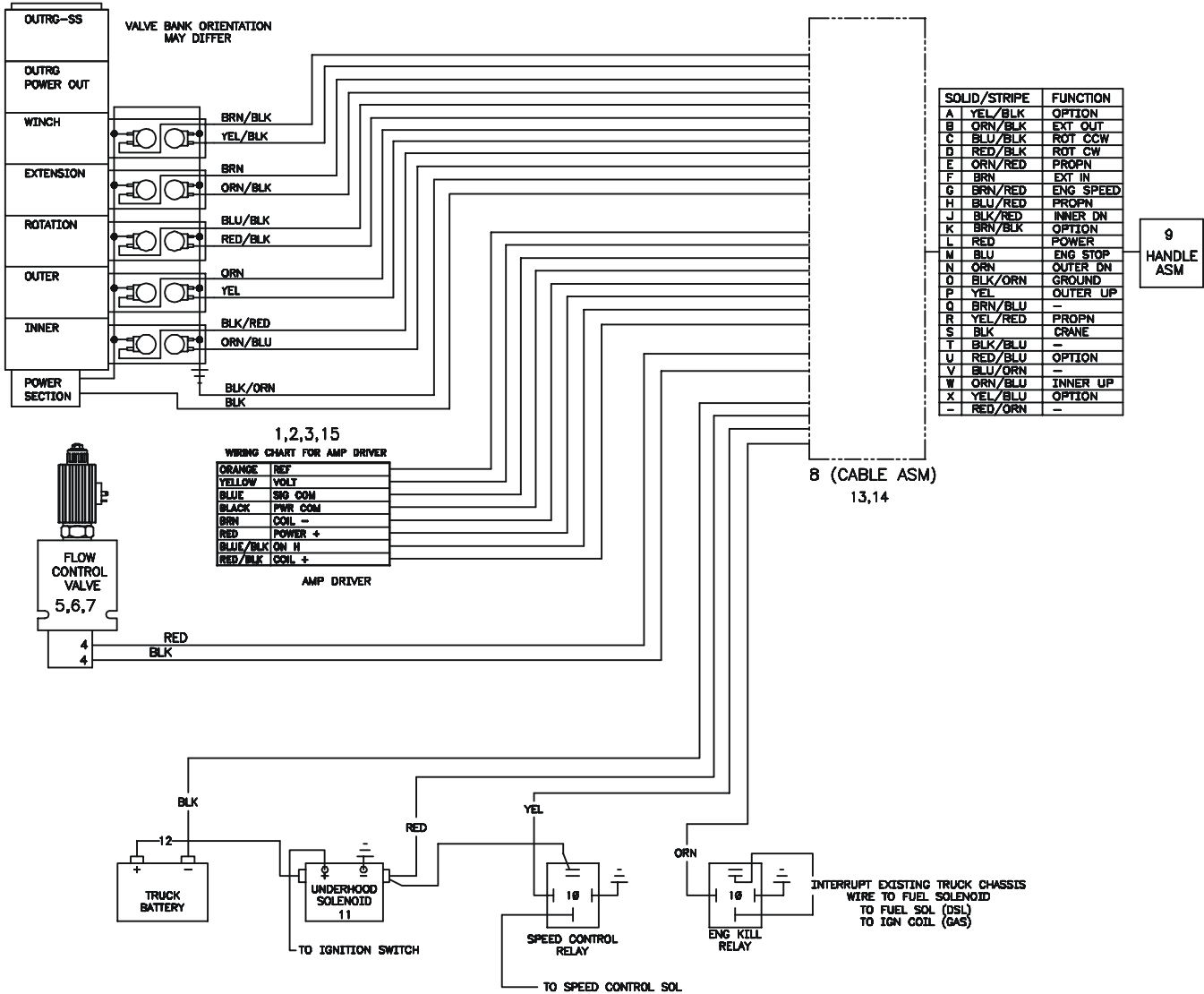
TURN BONNET 180° AND
INSTALL HANDLE & LINK KIT
HANDLE WILL POINT DOWN

PROP'L RMT CONTROL KIT-5R/2M (90714743-1)

- | | | | | | |
|-------------|----------------------------|---|--------------|------------------------|---|
| 1. 77041837 | AMP DRIVER | 1 | 8. 51713570 | CABLE ASM-JIC BOX | 1 |
| 2. 72060703 | CAP SCR 1/4-20X1/2 SH | 2 | 9. 51713430 | HANDLE ASM | 1 |
| 3. 72063049 | WASHER 1/4 LOCK | 2 | 10. 77041251 | RELAY | 2 |
| 4. 77040186 | TERM 1/4 FSLPON 16-14GA | 2 | 11. 77041237 | SOLENOID 12V | 1 |
| 5. 73054876 | PRIORITY VALVE | 1 | 12. 51704784 | CABLE ASM #1WIRE X 6 | 1 |
| 6. 72060051 | CAP SCR 3/8-16X2-1/4 HHGR5 | 2 | 13. 72060004 | CAP SCR 1/4-20X1 HHGR5 | 4 |
| 7. 72062103 | NUT 3/8-16 LOCK | 2 | 14. 72062104 | NUT 1/4-20 LOCK | 4 |
| | | | 15. 60112887 | MTG PLATE | 1 |
| | | | 16. 52704397 | ROD-CONTROL HANDLE | 1 |
| | | | 17. 72062006 | NUT 5/8-11 HEX | 1 |

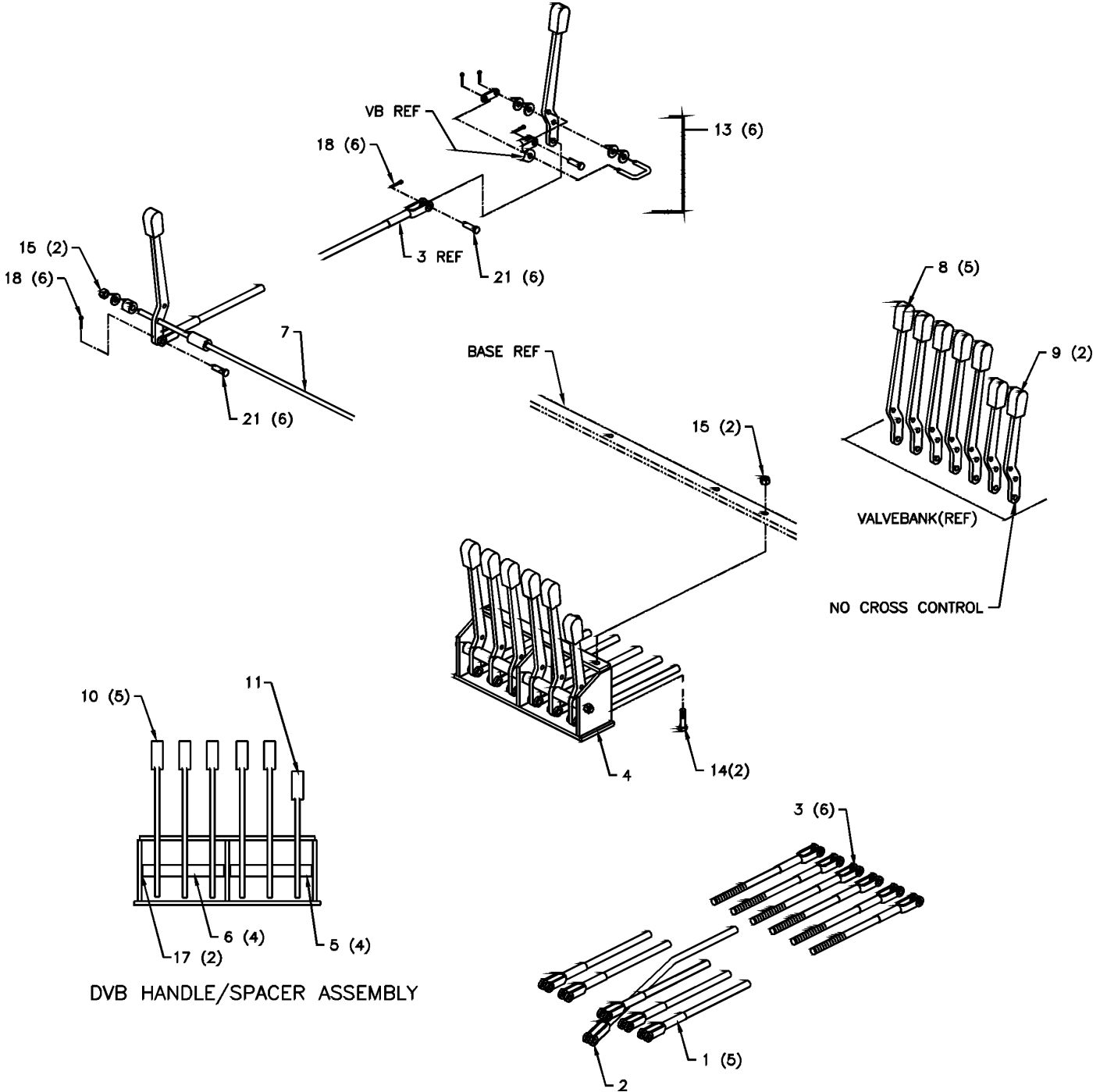
NOTE:

1.) ITEMS 16 & 17 ARE INSTALLED IN BRACKET ON BASE TO PROTECT VALVE BANK SOLENOIDS FROM HOSES.



**PROP'L RMT CONTROL KIT-5R/2M
(90714743-2)**

1. 52702016	CONTROL ROD - F	5	8. 70141982	CONTROL HANDLE-VB LONG	5
2. 52702017	CONTROL ROD - BENT F	1	9. 70141983	CONTROL HANDLE-VB SHORT	2
3. 52702018	CONTROL ROD - M	6	10. 70141984	CONTROL HANDLE-DVB LONG	5
4. 52702740	DUMMY VALVEBANK	1	11. 70141985	CONTROL HANDLE-DVBSHORT	1
5. 60030045	SPACER .62	4	13. 94731839	LINK AND PIN KIT	6
6. 60030046	SPACER 1-1/2	4	14. 72060025	CAP SCR 5/16-18 X 1 HH GR5	2
7. 60105502	DUMMY VB ROD	1	15. 72062109	NUT 5/16-18 LOCK	4
			17. 72063002	WASHER 5/16 WRT	2
			18. 72066168	COTTER PIN .09 X 3/4	12
			21. 72066338	CLEVIS PIN 5/16 X 1	12



IOWA MOLD TOOLING CO., INC.

BOX 189, GARNER, IA 50438-0189

TEL: 641-923-3711

TECHNICAL SUPPORT FAX: 641-923-2424