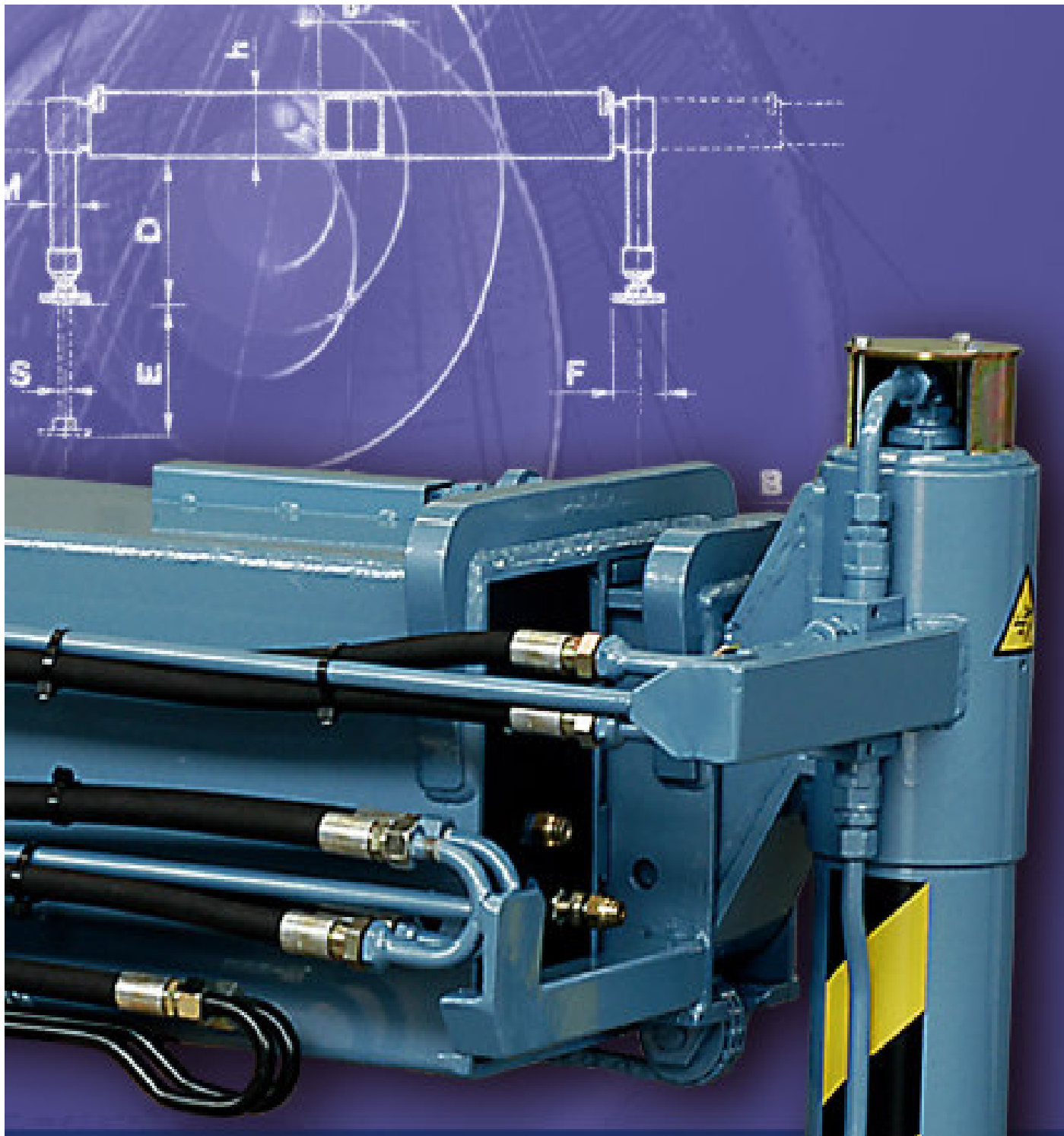
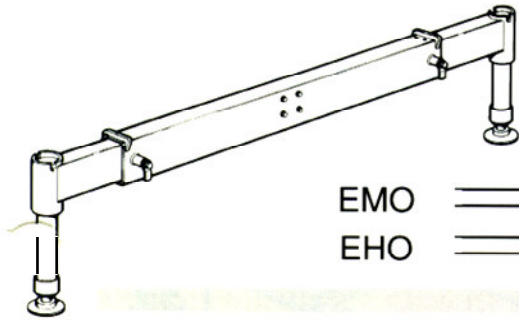
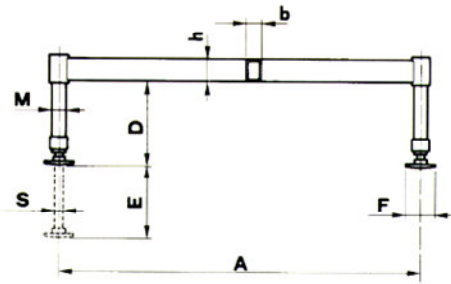
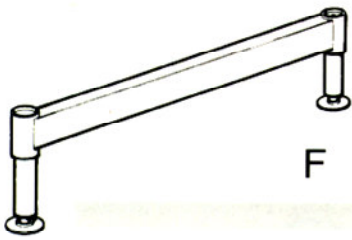


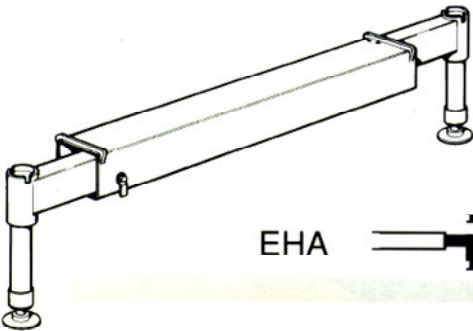
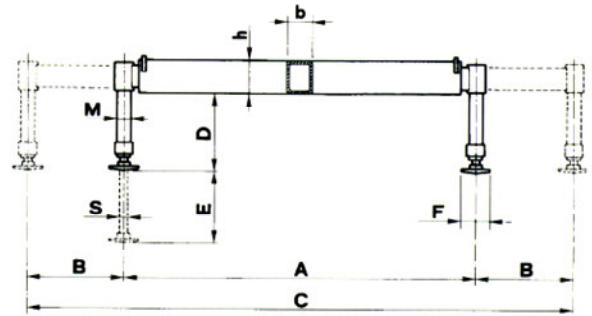
HMF supplementary stabilizers:



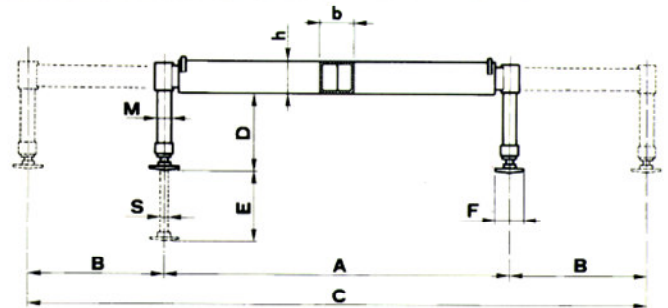
HMF supplementary stabilizers:



EMO → MAN
EHO → HYDR



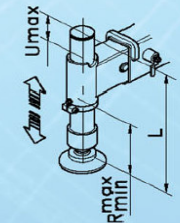
EHA → HYDR



Standard version:

120 mm cylinder rod extension, gr.2 and 3:
HMF no.: 58694

K: Cylinders adjustable in height by patented locking system
Hochverstellbare Zylinder nach Belieben durch Patentsperrsystem



..../L... long cylinder
langer Zylinder



..../S... short cylinder
kurzer Zylinder

Crane size: (tm)	Type	HMF no:	A	B	C	h x b	D	E	F	M	S	Weight (kg)	L	R	U
4 - 10	0 EMO-K	49395	2100	600	3300	150x100	510	400	150	70	40	125	630	190	290
10 - 23	1 F-K	49396	2000	-	-	180x100	520	450	160	85	60	125	710	220	320
18 - 35	2 EMO-K	49397	2120	600	3320	200x120	680	550	200	95	60	235	810	210	410
18 - 35	2 EHO-K	49398	2120	600	3320	200x120	610	550	200	95	60	255	810	210	410
18 - 35	2 EHO/L-K	49376	2120	600	3320	200x120	710	650	200	95	60	260	910	210	510
18 - 35	2 EHA-K	49399	2100	1300	4700	200x235	610	550	200	95	60	380	810	210	400
18 - 35	2 EHA/L-K	49394	2100	1300	4700	200x235	710	650	200	95	60	385	910	210	500
18 - 35	2 ECHA	49150	2300	1300	4900	160x390	755	650	200	95	60	500	900	-	-
40 - 60	4 EHA	49386	2200	1400	5000	300x235	700	650	200	105	70	510	960	270	390
40 - 60	4 EHA/S-AR	49385	2200	1400	5000	300x235	500	500	200	105	70	490	810	180	330
40 - 60	4 ECLA/S	58659	2350	1550	5450	160x420	650	500	200	105	70	660	795	-	-
50 - 80	5 EHA/S-P CP AR	49352	2200	1400	5000	305x280	311	450	200	125	90	670	686	106	272
50 - 80	5 ELHA/S-P CP AR	49353	2350	1800	5950	320x320	282	450	200	125	90	790	686	77	288
50 - 80	5 EXHA/S-P CP	49354	2300	2300	6900	320x350	230	450	200	125	90	900	686	25	339