
Manual # 99905387

9/65 Technical Specifications

Revision Date 20120130



IOWA MOLD TOOLING CO., INC.

PO Box 189

Garner, IA 50438

Tel: 641-923-3711 FAX: 641-923-2424

Website: <http://www.imt.com>

Copyright © 2012 Iowa Mold Tooling Co., Inc.
All rights reserved

No part of this publication may be reproduced, stored in a retrieval system, or transmitted in any form or by any means, electronic, mechanical, photocopying, recording or otherwise without the prior written permission of Iowa Mold Tooling Co., Inc.

Iowa Mold Tooling Co., Inc. is an Oshkosh Corporation company.

Contents

Technical Data and Charts	3
9/65 Specifications.....	4
9/65 Series Single Link Capacity Charts	6
9/65 Series Double Link Capacity Charts.....	11
Dimensions	16
Mounting Dimensions.....	17
Dimensions, Fixed Stabilizer Legs	18
Dimensions, Manual Swing-Up Stabilizer Legs.....	19
Swing Clearance Drawings.....	22
Single Link Swing Clearance	22
Double Link Swing Clearance.....	23
Pressure Settings & Hydraulic Schematics	25
9/65 Pressure Settings.....	25
9/65 Hydraulic Schematic.....	27

CHAPTER 1

Technical Data and Charts

In This Chapter

9/65 Specifications	4
9/65 Series Single Link Capacity Charts	6
9/65 Series Double Link Capacity Charts.....	11
Dimensions.....	16
Mounting Dimensions.....	17
Dimensions, Fixed Stabilizer Legs	18
Dimensions, Manual Swing-Up Stabilizer Legs.....	19
Swing Clearance Drawings	22

9/65 Specifications

9/65	1-HYDRAULIC	2-HYDRAULIC	3-HYDRAULIC	4-HYDRAULIC	5-HYDRAULIC
Crane Rating (Single Link)	65,100 ft-lb (9.0 tm)	62,925 ft-lb (8.7 tm)	61,480 ft-lb (8.5 tm)	59,310 ft-lb (8.2 tm)	57,865 ft-lb (8.0 tm)
Crane Rating (Double Link)	63,650 ft-lb (8.8 tm)	61,480 ft-lb (8.5 tm)	59,310 ft-lb (8.2 tm)	57,865 ft-lb (8.0 tm)	55,695 ft-lb (7.7 tm)
Maximum Horizontal Reach	18'-0" (5.5 m)	24'-7" (7.5 m)	31'-10" (9.7 m)	38'-9" (11.8 m)	45'-11" (14.0 m)
Maximum Vertical Reach	25'-7" (7.8 m)	32'-3" (9.8 m)	39'-4" (12.0 m)	46'-5" (14.1 m)	53'-4" (16.3 m)
Capacity - Single Link Cranes					
Maximum Capacity	8380 lb (3800 kg)	7850 lb (3560 kg)	7630 lb (3460 kg)	7165 lb (3250 kg)	6745 lb (3060 kg)
Max Capacity @ Max Reach	3660 lb (1660 kg)	2515 lb (1140 kg)	1785 lb (810 kg)	1280 lb (580 kg)	950 lb (430 kg)
Capacity - Double Link Cranes					
Maximum Capacity	9040 lb (4100 kg)	8555 lb (3880 kg)	8115 lb (3680 kg)	7715 lb (3500 kg)	7340 lb (3330 kg)
Max Capacity @ Max Reach	3550 lb (1610 kg)	2425 lb (1100 kg)	1720 lb (780 kg)	1235 lb (560 kg)	950 lb (410 kg)
Crane Weight**	2360 lb (1070 kg)	2590 lb (1175 kg)	2810 lb (1275 kg)	3010 lb (1365 kg)	3185 lb (1445 kg)
Hook Approach					
Vertical	9'-8" (2.94 m)	9'-4" (2.84 m)	9'-0" (2.74 m)	8'-8" (2.64 m)	8'-4" (2.54 m)
Horizontal	2'-7" (0.79 m)	2'-9" (0.84 m)	2'-11" (0.89 m)	3'-1" (0.94 m)	3'-3" (1.0 m)
Center of Gravity-Stored (Single Link)					
Vertical	24" (604 mm)	25" (633 mm)	26" (662 mm)	27" (688 mm)	27.7" (704 mm)
Horizontal (C/L Rotation to Bridge)	10.6" (270 mm)	10.5" (265 mm)	10" (255 mm)	9.3" (236 mm)	9" (228 mm)
Center of Gravity-Stored (Double Link)					
Vertical	25" (637 mm)	26" (665 mm)	27.4" (695 mm)	28" (714 mm)	28.7" (729 mm)
Horizontal (C/L Rotation to Bridge)	10" (256 mm)	10" (255 mm)	9.8" (250 mm)	9" (229 mm)	8.7" (221 mm)

* Crane rating (ft-lb) is the rated load (lb) multiplied by the respective distance (ft) from the centerline of rotation with all extensions retracted, and the inner and outer booms in a horizontal position, per ANSI B30.22.

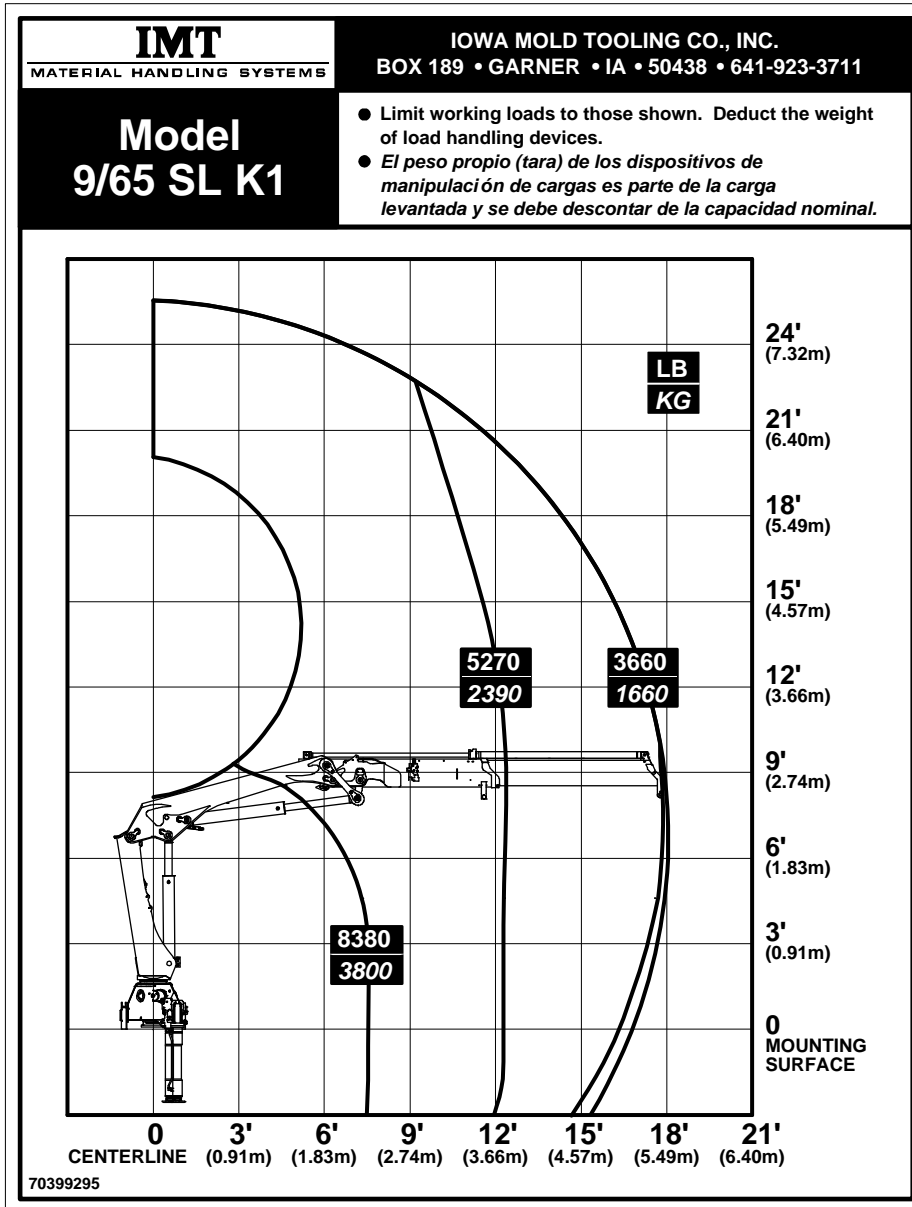
** Crane weight is for standard single-link crane with tank & mounting kit. Does not include stabilizers, oil. Add 55 lb (25 kg) for double link.

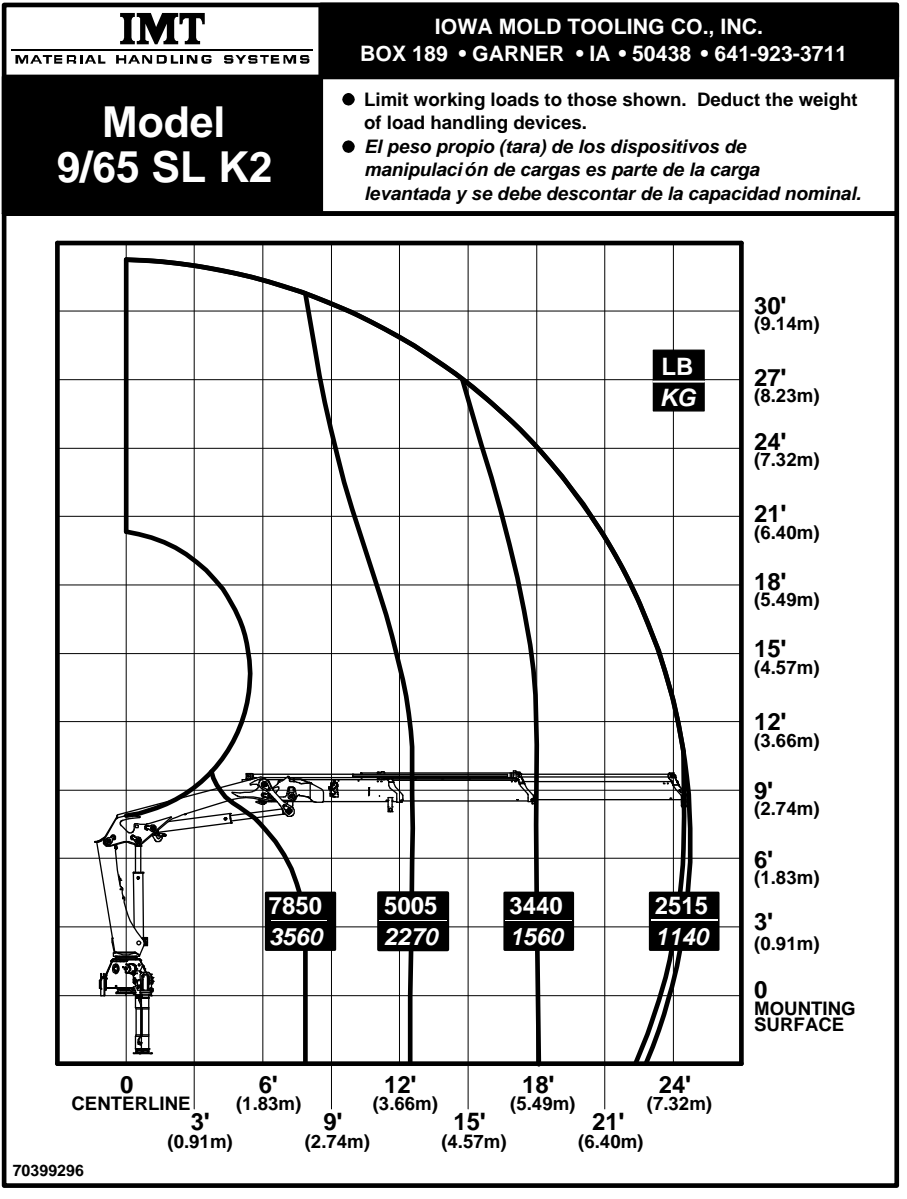
9/65 DIMENSIONS & PERFORMANCE	
Crane Storage Height	7'-0" (2135 mm)
Width	7'-9" (2350 mm)
Mounting Space	2'-5" (747 mm)
Maximum Swing Clearance (from top of chassis frame)	21.5" (545 mm) at 7'-5" (2251 mm) (Single) or 7'-6" (2276 mm) (Double)
Rotational Torque	9665 ft-lb (1.3 tm)
Rotation	420 degrees
Optimum Pump Performance	10.5 GPM (40 L/min)
System Pressure	4350 psi (300 bar)
Oil Reservoir Capacity	14.5 gal (55 L)

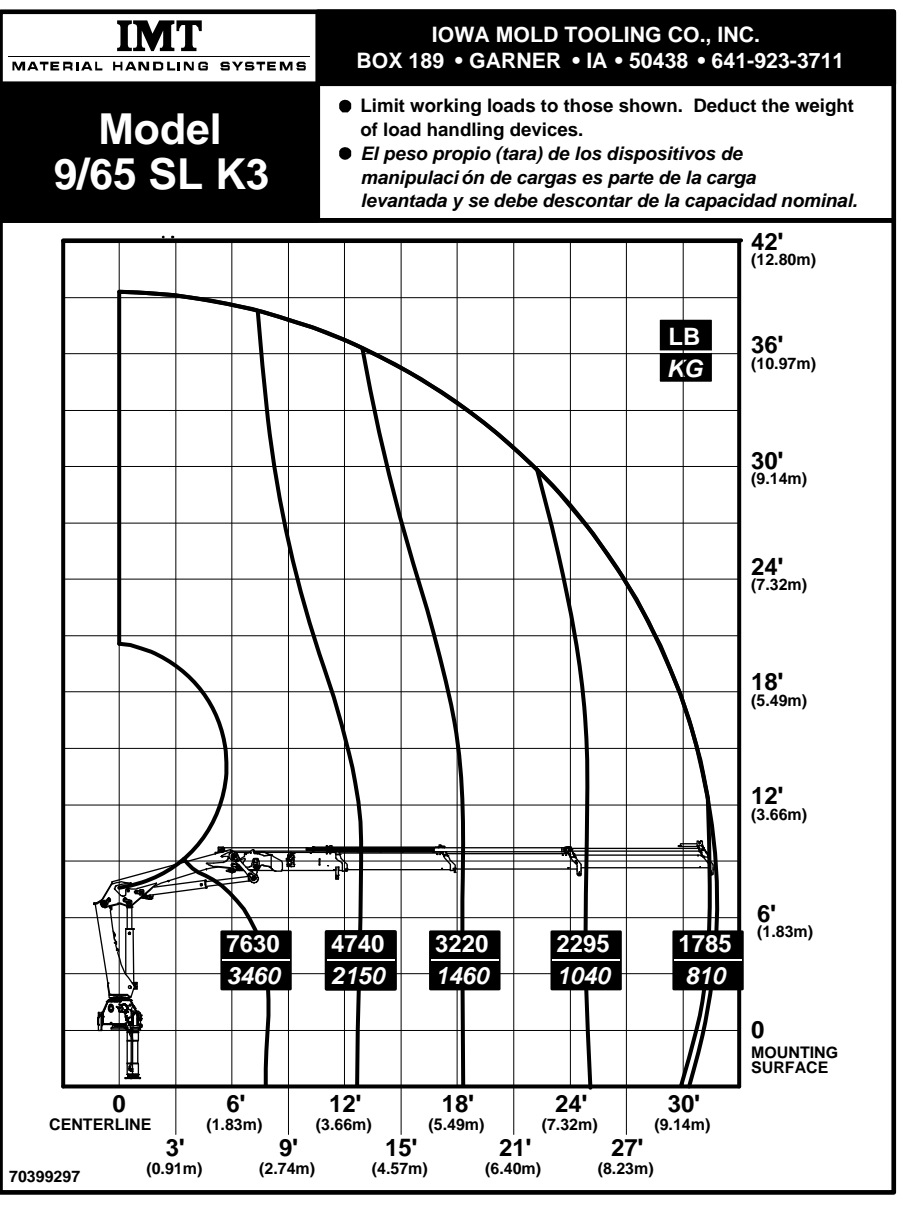
9/65 STABILIZERS	
Stabilizer Pad Diameter	6" (158 mm)
Stabilizer Weights	
Standard Man Out/Hyd Down, Fixed	355 lb (160 kg)
Standard Man Out/Hyd Down, Swing-Up	365 lb (165 kg)
Extended Reach Hyd Out/Down, Fixed	410 lb (185 kg)
Extended Reach Hyd Out/Down, Swing Up	420 lb (190 kg)
Stabilizer Spread, Standard	13'-8" (4165 mm)
Stabilizer Spread, Extended Reach	16'-10" (5140 mm)

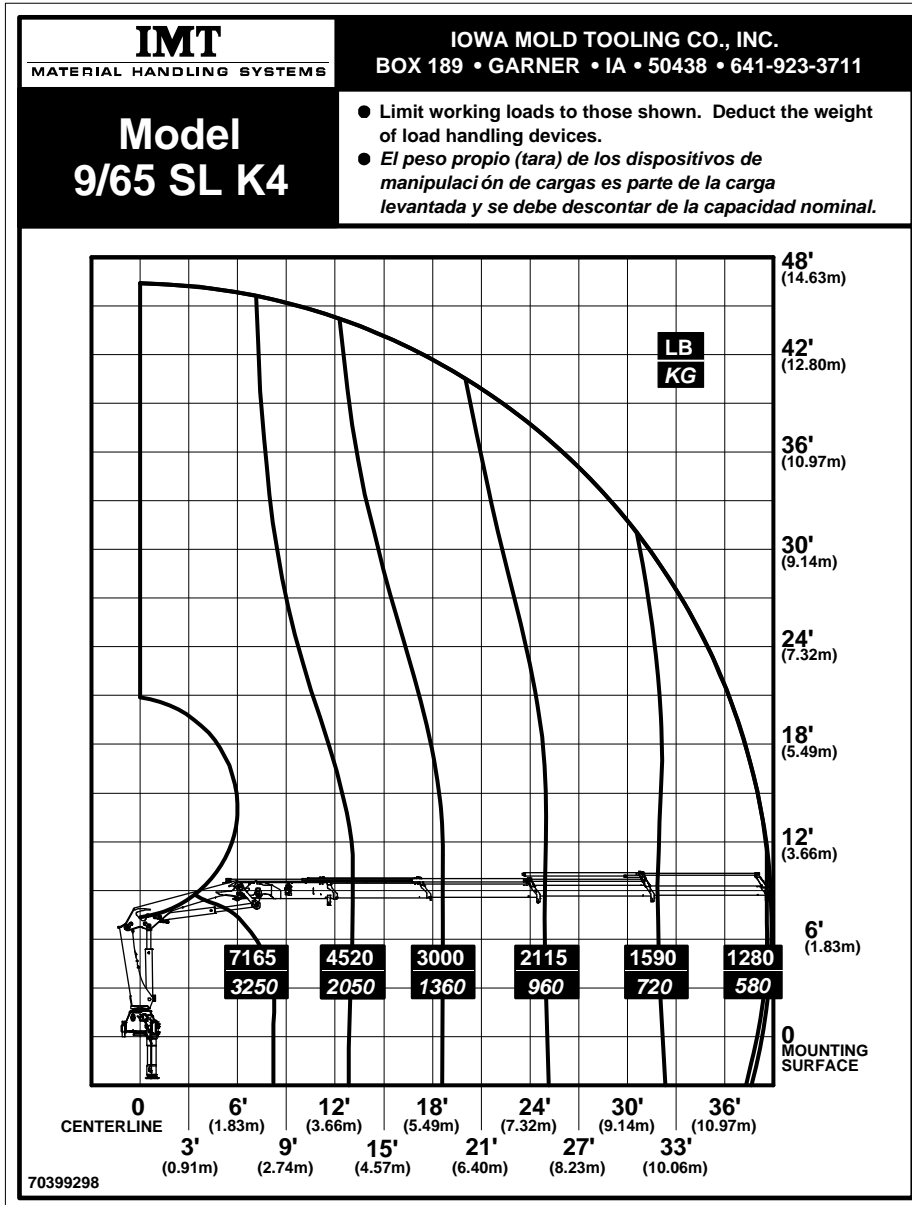
9/65 CHASSIS SPECIFICATIONS	
Front Axle Rating (GAWR)	8000 lb (3630 kg)
Rear Axle Rating (GAWR)	16,000 lb (7260 kg)
Resistance to Bending Moment	976,500 in-lb (112,505 kg-m)

9/65 Series Single Link Capacity Charts

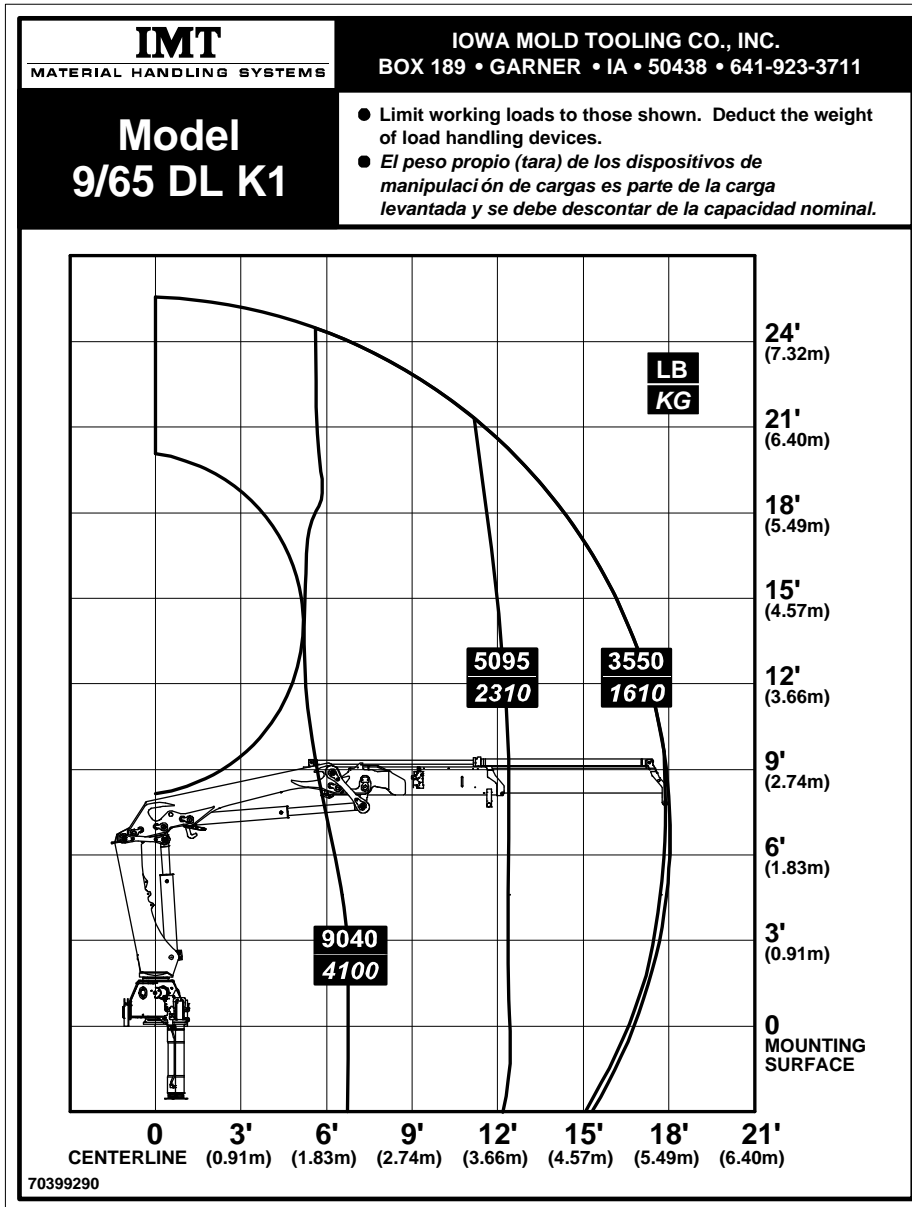


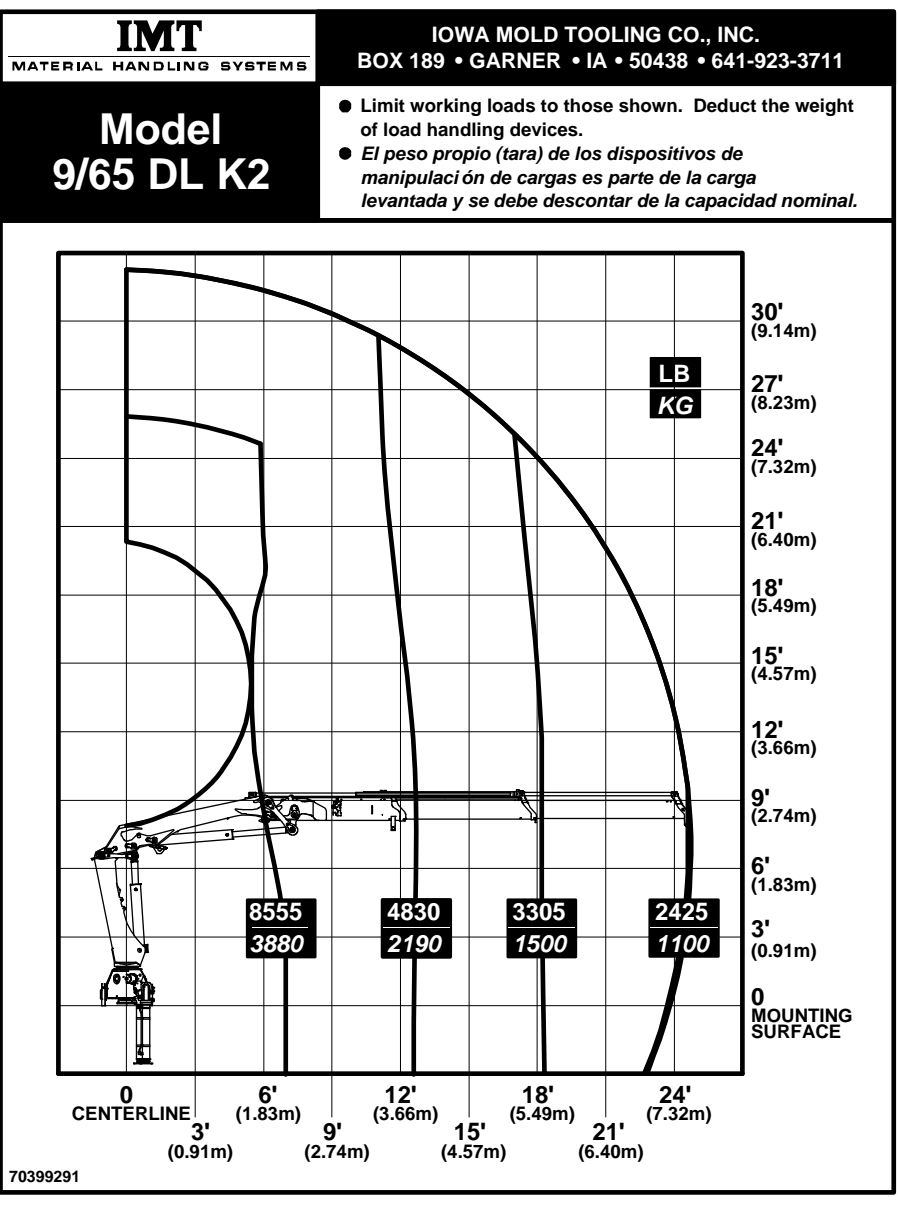


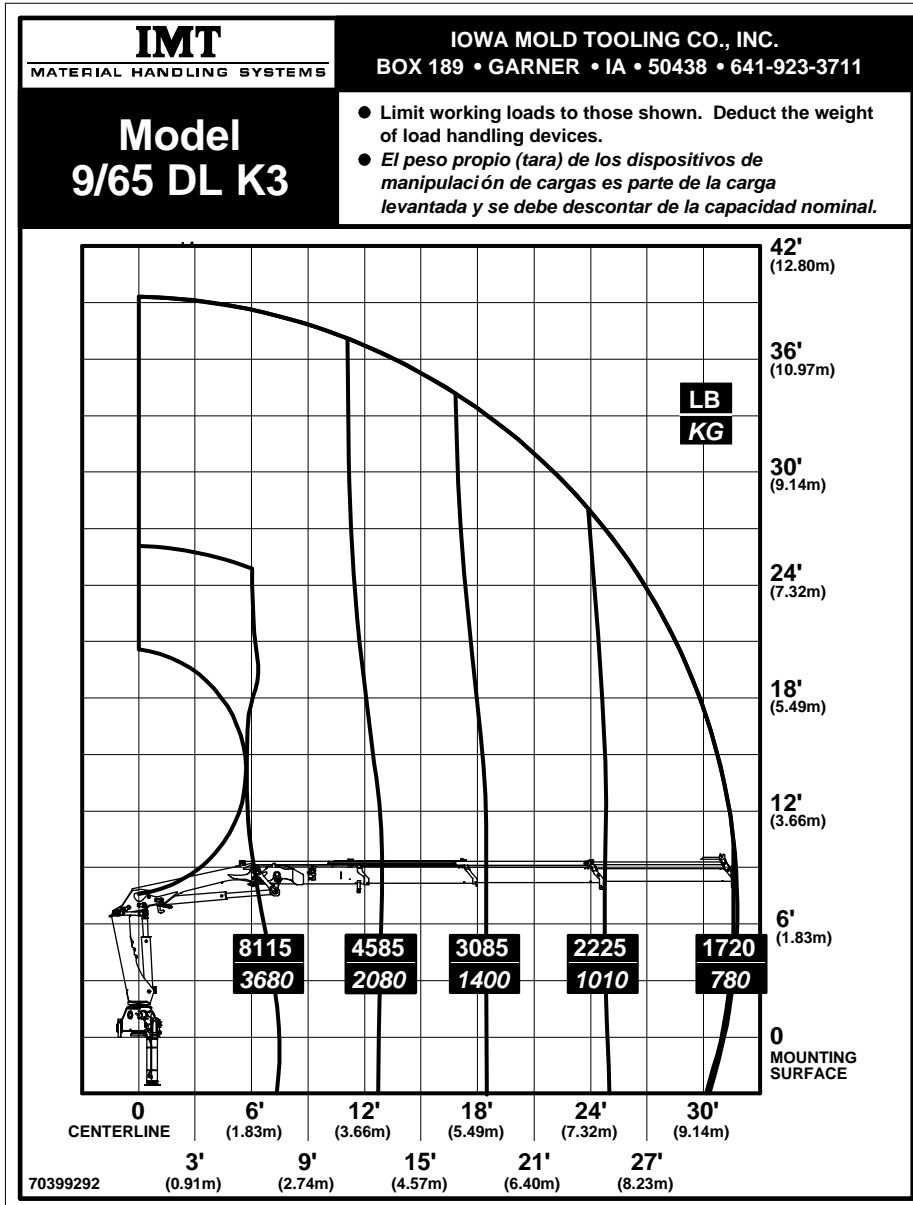


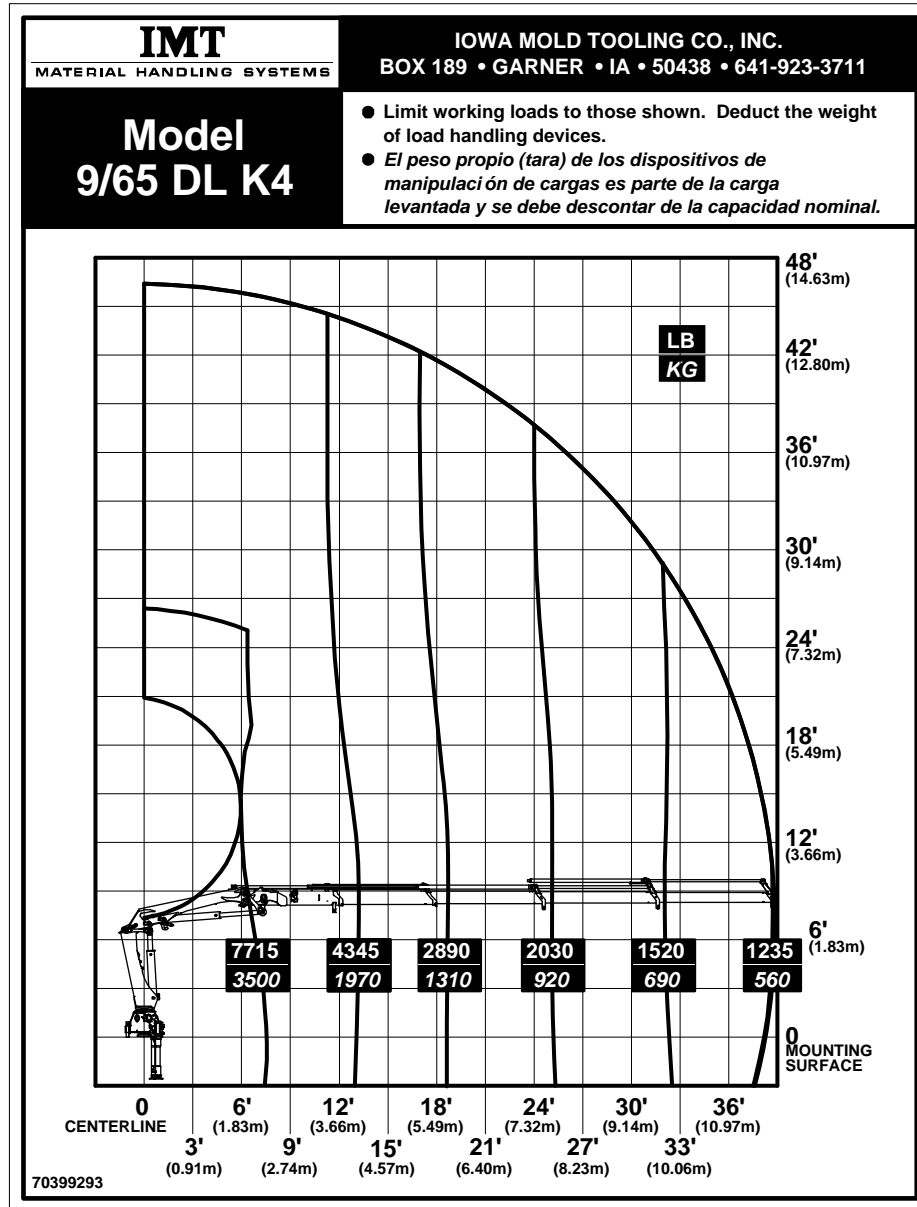


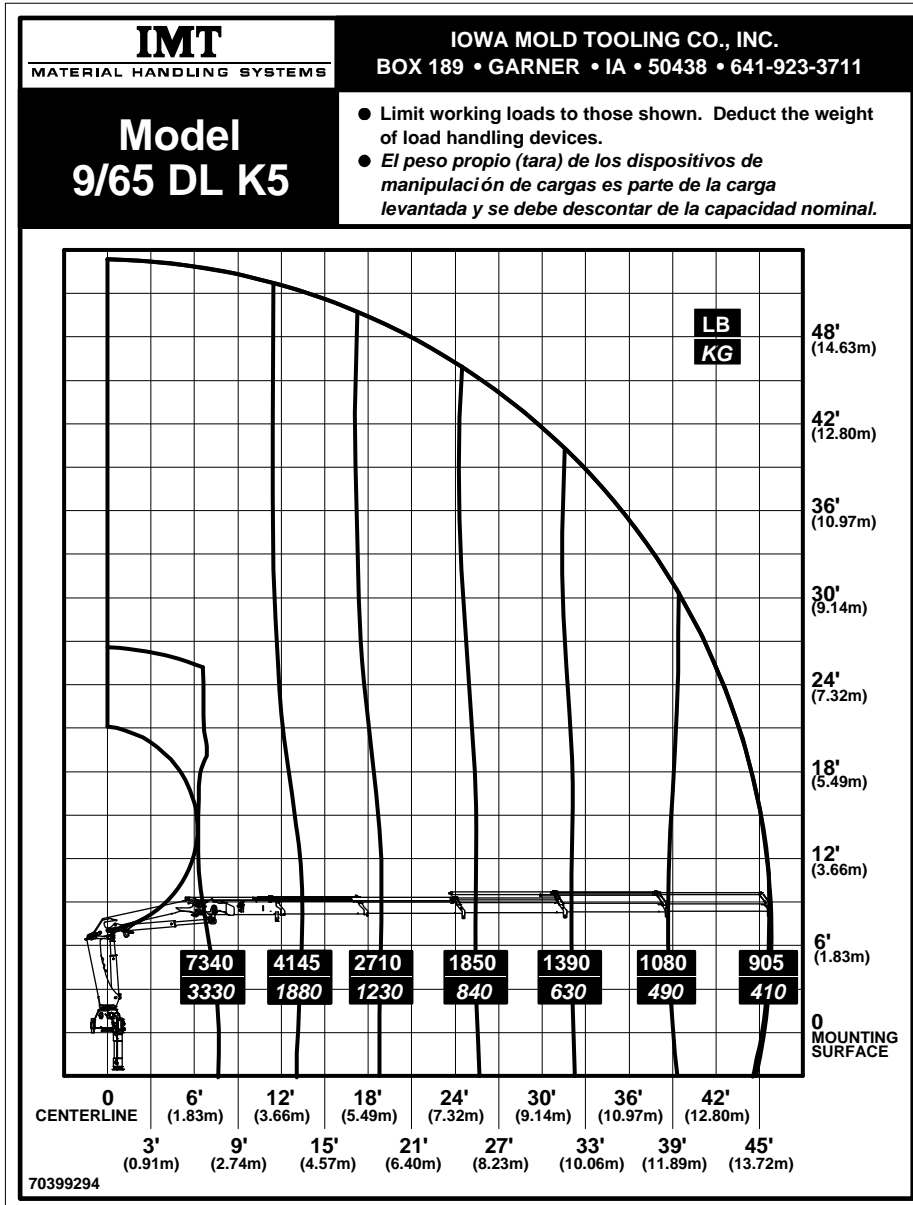
9/65 Series Double Link Capacity Charts



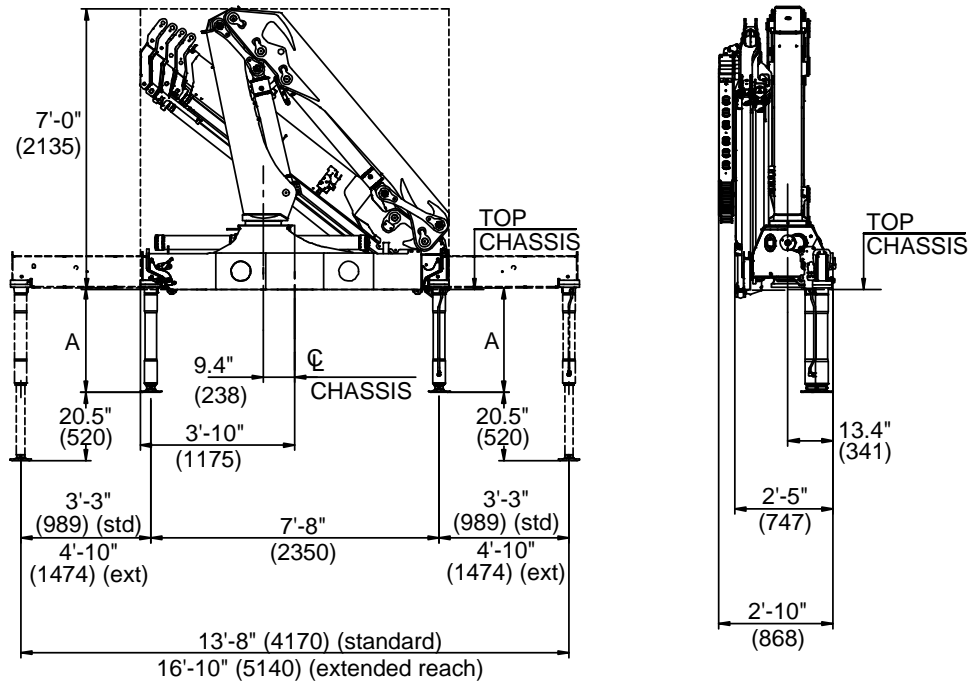
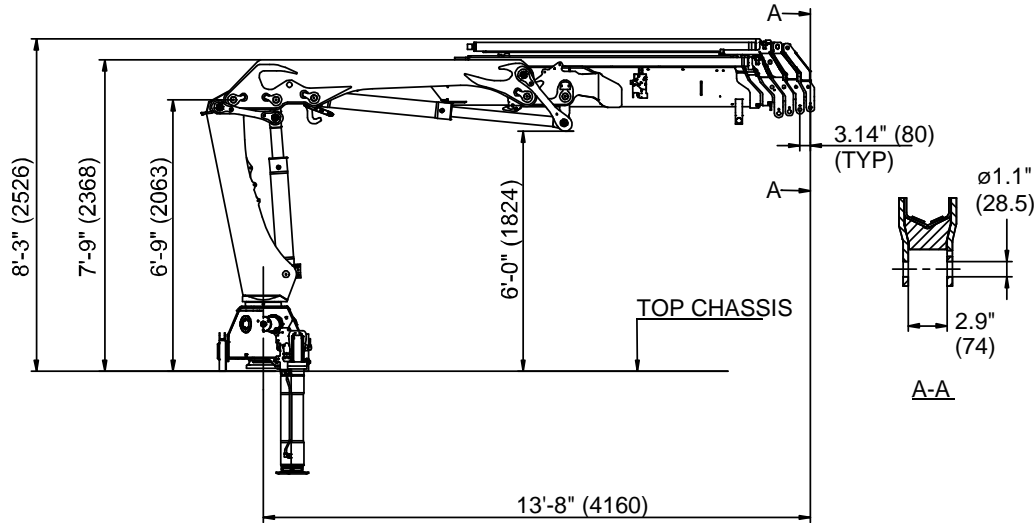








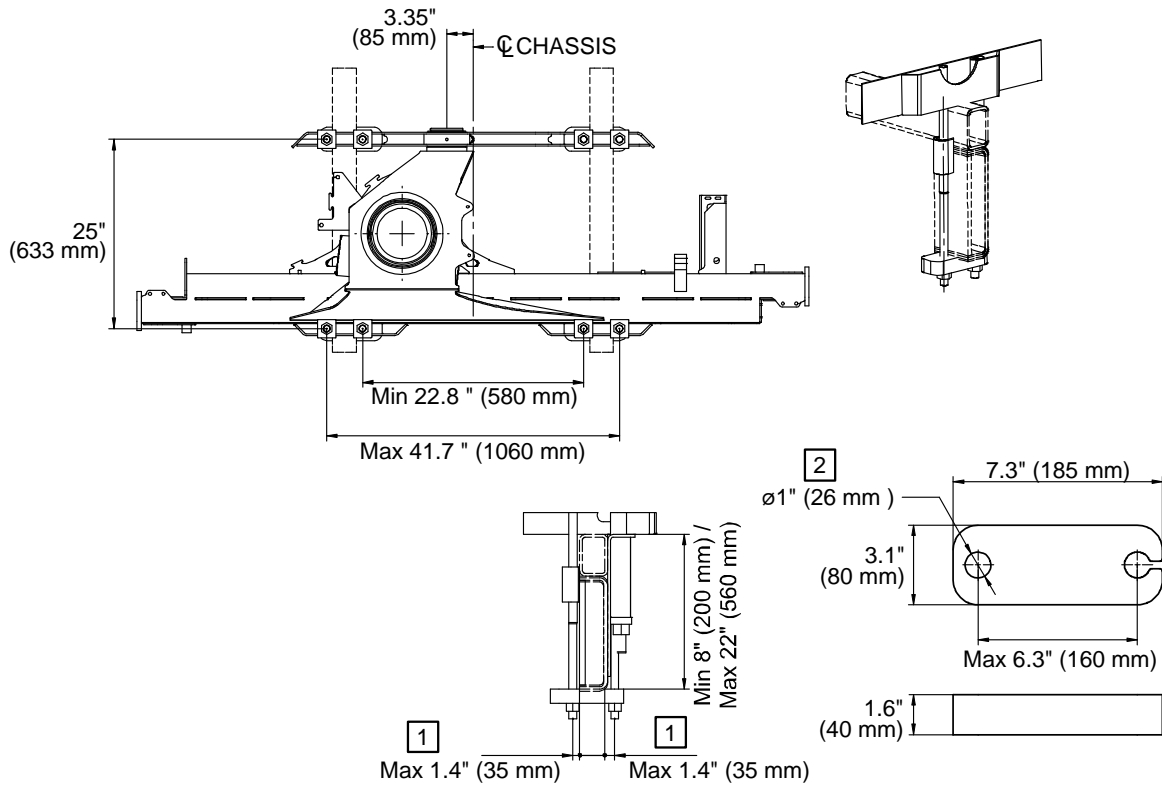
Dimensions



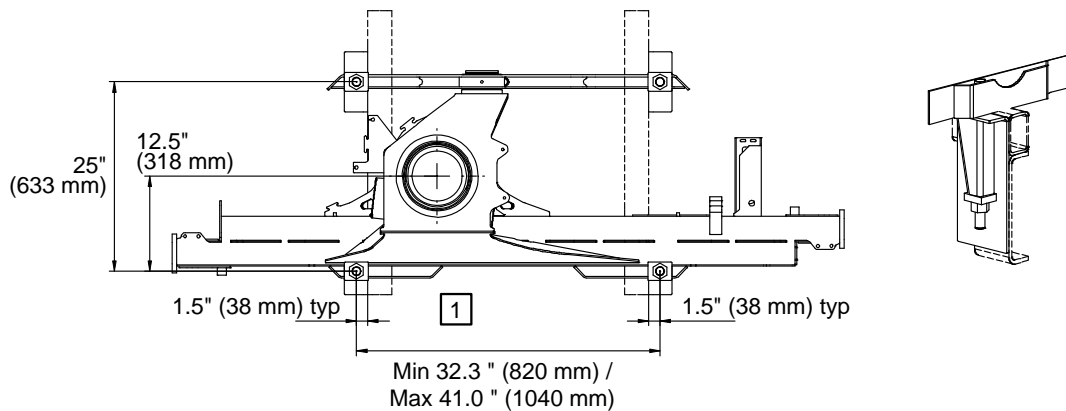
Double link crane shown. Single link dimensions are the same. Dimensions shown in ft-in (mm).

Mounting Dimensions

8 mounting holes - M24 x 2 bolt



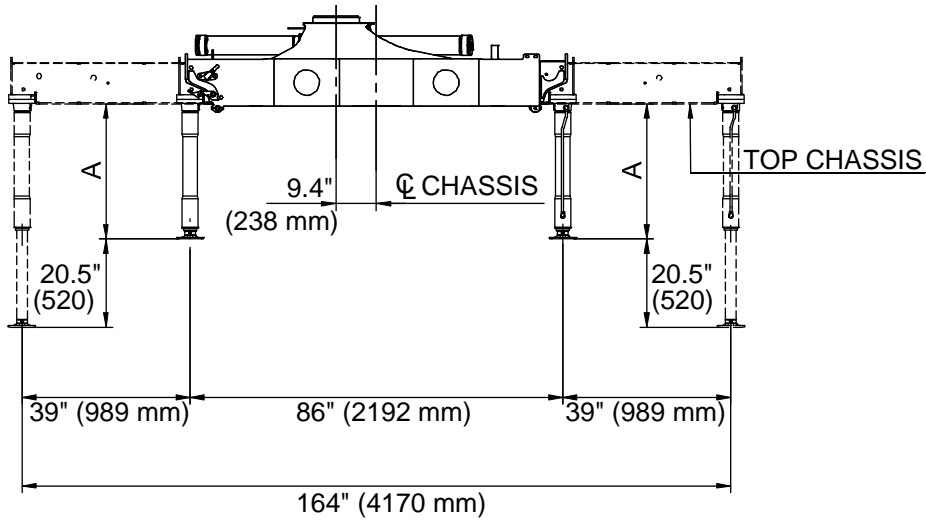
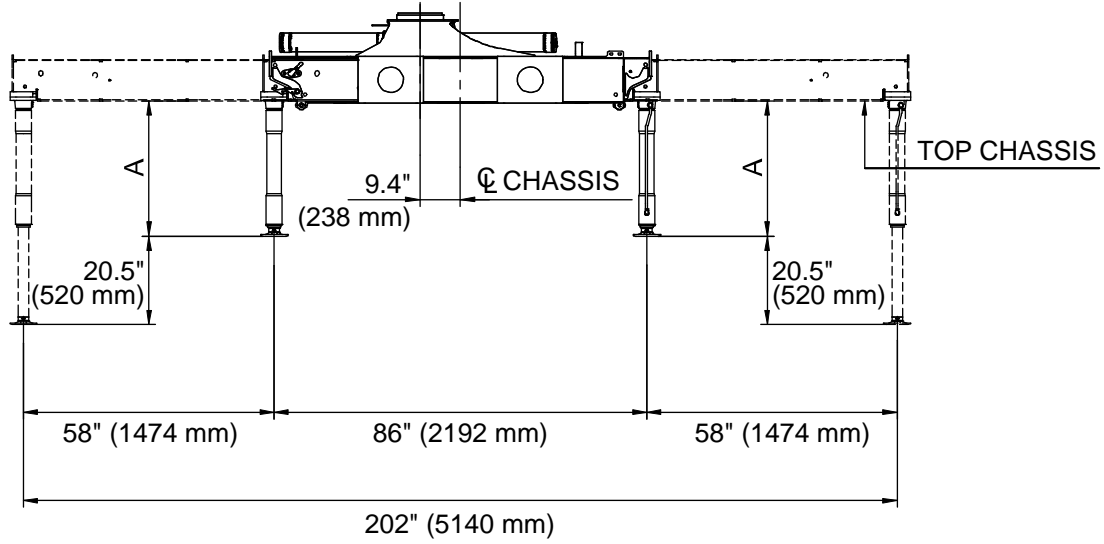
4 mounting holes - M30 x 2 bolt


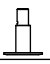



NOTES (SEE REFERENCE NUMBER IN BOX):

- 1 Value dictated by strength concerns.
- 2 Mounting hole diameter.

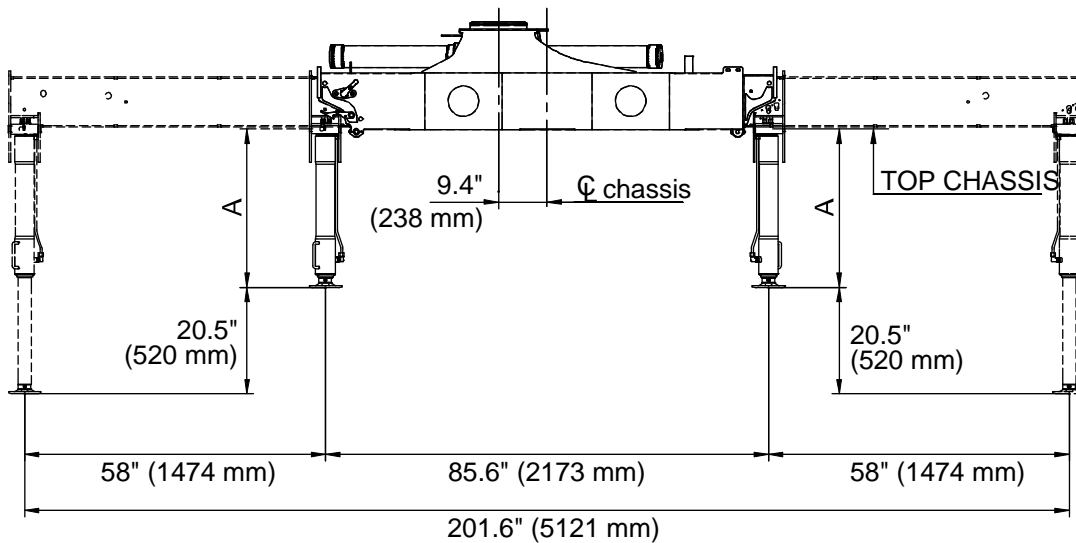
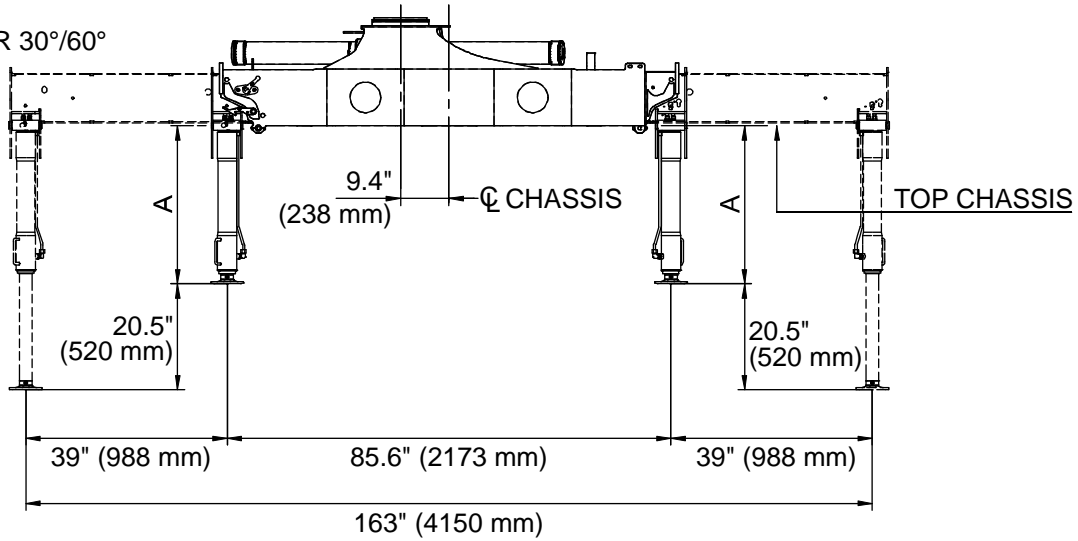
Dimensions, Fixed Stabilizer Legs


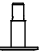
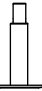


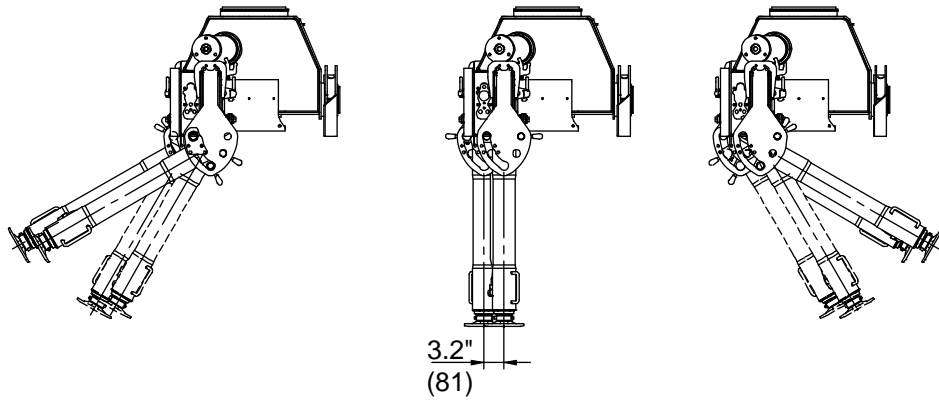
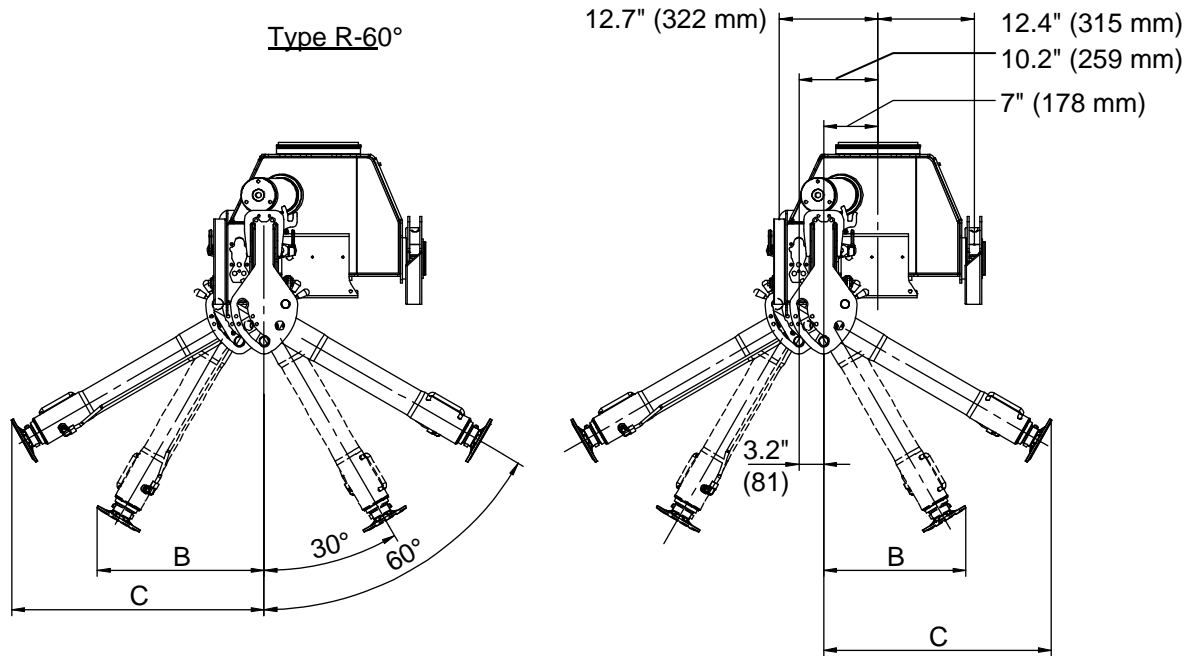
			
A	30.6" (777)	34.5" (877)	38.5" (977)




Dimensions, Manual Swing-Up Stabilizer Legs

Type SR 30°/60°

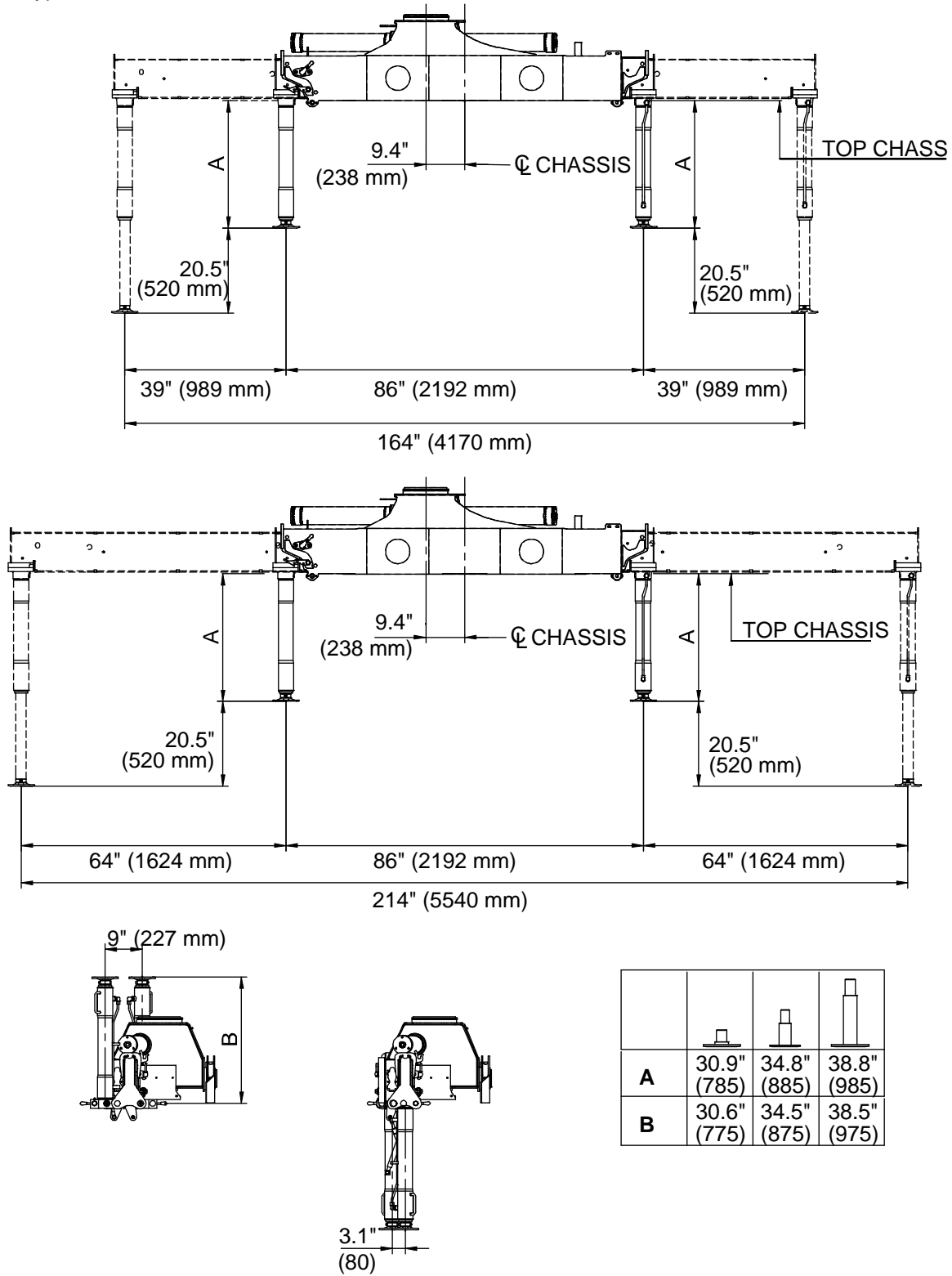


			
A	30.6" 775	34.5" 875	38.5" 975



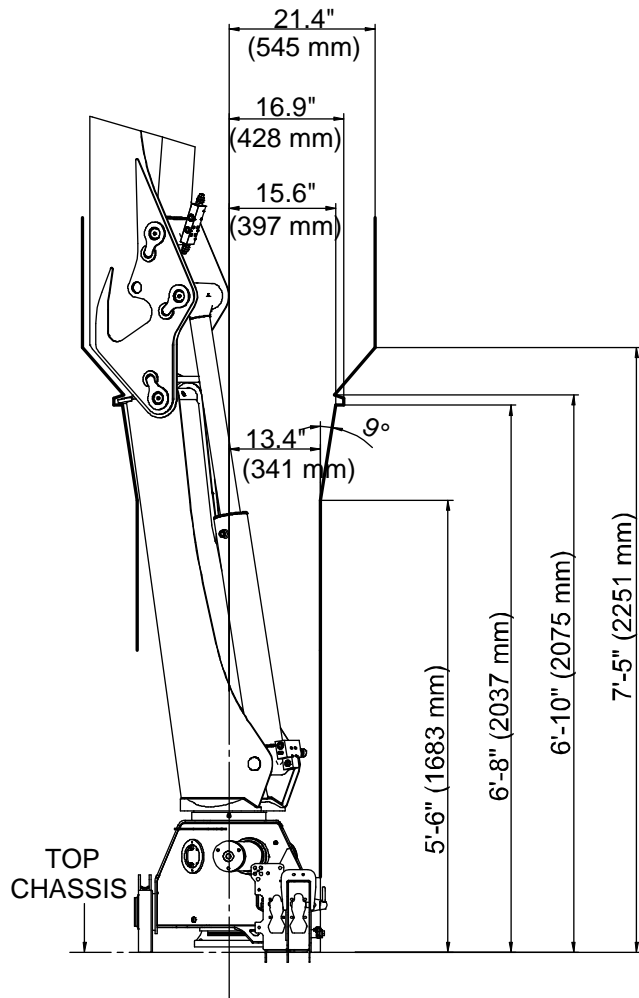
			
B	18.3" (465)	20.3" (515)	22.2" (565)
C	29.3" (745)	32.7" (831)	36.1" (918)

Type SV 180°

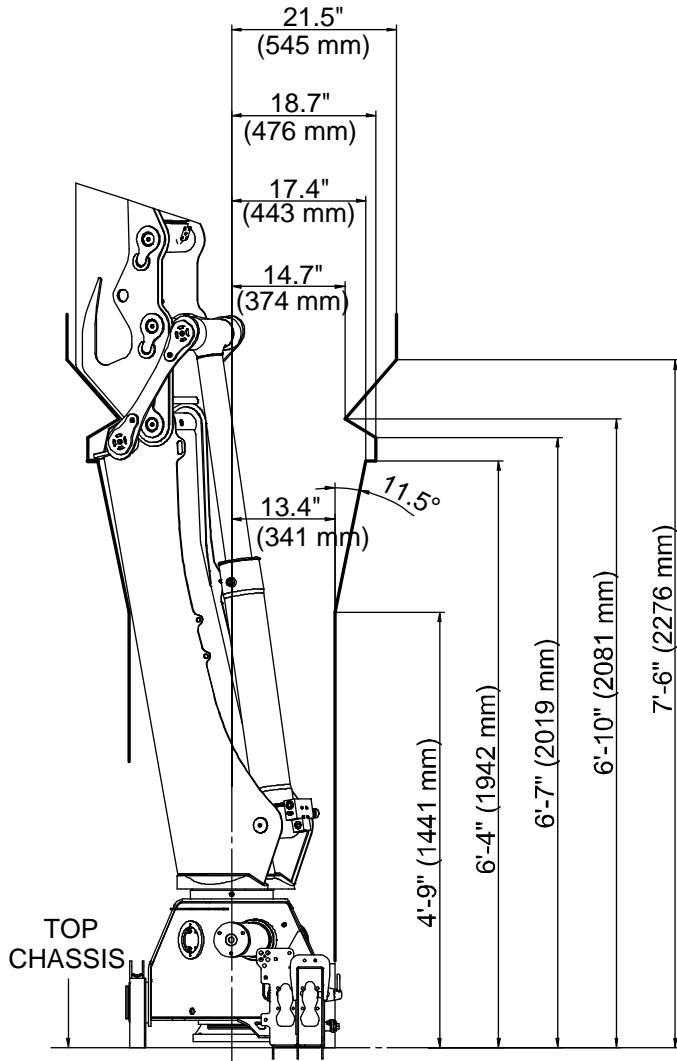


Swing Clearance Drawings

Single Link Swing Clearance



Double Link Swing Clearance



CHAPTER 2

Pressure Settings & Hydraulic Schematics

In This Chapter

9/65 Pressure Settings	25
9/65 Hydraulic Schematic.....	27

9/65 Pressure Settings

Working Pressure on Main-Relief Valve & Port-Relief Valves			
Function	Direction	Port	9/65 Pressure psi (bar)
Main-relief valve			4350 (300)
Slewing system	Right	A	P
	Left	B	P
Boom cylinder	Down	A	1450 (100)
	Up	B	4715 (325)
Jib cylinder	Up	A	4715 (325)
	Down	B	2900 (200)
Extension cylinders	Extend	A	P
	Retract	B	P
Rotator	Right	A	2900 (200)
	Left	B	2900 (200)
Grab	Open	A	2900 (200)
	Close	B	2900 (200)
Separate stabilizer valve		All	2175 (150)

Working Pressure on Load-Holding Valves			
Function	Direction	Port	9/65 Opening Pressure psi (bar)
Boom cylinder			4715 (325)

Jib cylinder	Up	A	4785 (330)
	Down	B	
Slewing system			3045 (210)
Extension cylinders	Extend	A	3045 (210)
	Retract	B	6235 (430)

Pressure Setting for Load Moment Limitation (LMB)	
Load moment limitation (LMB)	4205 (290)

Maximum Pump Performance	
Pump performance, 1-circuit	10.5 gpm (40 l/min)

9/65 Hydraulic Schematic

