
Manual # 99905457

Auxiliary Stabilizer Manual

Rev Date 20120906



IOWA MOLD TOOLING CO., INC.

PO Box 189

Garner, IA 50438

Tel: 641-923-3711 FAX: 641-923-2424

Website: <http://www.imt.com>

Copyright © 2012 Iowa Mold Tooling Co., Inc.
All rights reserved

No part of this publication may be reproduced, stored in a retrieval system, or transmitted in any form or by any means, electronic, mechanical, photocopying, recording or otherwise without the prior written permission of Iowa Mold Tooling Co., Inc.

Iowa Mold Tooling Co., Inc. is an Oshkosh Corporation Company.

Contents

Revisions	ii
Introduction	3
Choosing the Right Stabilizers.....	4
Stabilizer Dimensions Chart	5
Parts Information	6
Stabilizer Decals	8
Auxiliary Stabilizer Assemblies	11
Stabilizer, Manual Out / Crank Down, 6x4 (31703354).....	12
Stabilizer, Manual Out / Manual Down, 6x4 (31703350).....	14
Stabilizer, Manual Out / Power Down (31710656)	16
Stabilizer, Power Out / Power Down (31710657)	18
Stabilizer, Manual Out / Power Down, 6x4 (31710966)	20
Stabilizer, Power Out/Power Down, 6x4 (31710967)	22
Stabilizer, Manual Out/Crank Down, 7x5 (31712741)	25
Stabilizer, Manual Out/Power Down, 7x5 (31712740)	27
Stabilizer, Power Out/Power Down, 7x5 (31712739)	30
Stabilizers, Power Out/ Power Down (31704123).....	33
Stabilizer, Power Out / Power Down (31710600)	35
Stabilizer, Power Out/ Power Down (31711350)	38
Stabilizer, Power Out/Power Down (31712397)	42
Stabilizer, Power Out/Power Down High-Frame (31705728).....	45
Stabilizer, Power Out/Power Down Behind Cab for Rear Mount Crane (91719335 / 99903685)	48
Stabilizer, Power Out/Power Down Above Frame Mount (No Hydraulics) (90719002 / 99903652)	51
Stabilizer, Power Out/Power Down Rear Mount for Behind Cab Crane (91719336 / 99903686)	54
Stabilizer, Power Out/Power Down Below Frame Mount (No Hydraulics) (90719001 / 99903653)	55
Stabilizer, Front Jack-Leg (51716385)	59
Stabilizer, Front Drop Down (51711242)	60
Stabilizer, Swing Down (90701596).....	61
Auxiliary Stabilizer Cylinders & Valvebanks	63
Cylinder, Power Out (3B142860).....	64
Cylinder, Power Down (3B166820)	65
Cylinder, Power Down (3B205010)	67
Cylinder, Power Out (3B210522).....	69
Valve Bank, 3-Section (51703619).....	70
Valve Bank, 3-Section (51714812).....	71
Valve Bank, 3-Section, Power Out (51716107)	72
Valve Bank, 2-Section (51714813).....	73

Revisions

DATE	LOCATION	DESCRIPTION
20120521		NEW RELEASE. REPLACED 99900644 FOR CURRENT STABILIZER ASSEMBLIES.
20120906	91719335, 90719002, 91719336, 90719001	ADDED MISSED ASSEMBLIES.

CHAPTER 1

Introduction

In This Chapter

Choosing the Right Stabilizers	4
Stabilizer Dimensions Chart	4
Parts Information	6
Stabilizer Decals.....	8

This manual deals with information applicable to most auxiliary stabilizer assemblies. For operating, maintenance and repair instructions, refer to Volume 1, OPERATION, MAINTENANCE AND REPAIR.

Before operation or the performance of any maintenance, read and understand the IMT OPERATOR'S CRANE SAFETY MANUAL which contains important information concerning operational and maintenance safety procedures. It is the user's responsibility to maintain and operate their unit in a manner that will result in the safest working conditions possible.

This manual is provided to assist you with ordering parts for your IMT auxiliary stabilizer assembly, and it also contains specifications applicable to those assemblies.

Warranty of any unit will be void on any part of the unit subjected to misuse due to overloading, abuse, lack of maintenance and unauthorized modifications. No warranty - verbal, written or implied - other than the official, published IMT new machinery and equipment warranty will be valid with this unit.

Choosing the Right Stabilizers

IMT offers numerous stabilizer choices for your IMT model crane. You may have purchased a crane only, a crane mounted on an IMT body (which includes stabilizers), or a crane and stabilizers for a non-IMT body. IMT has stabilizers which will fit all of these applications. In addition, IMT offers various styles of stabilizers including manual, crank down, and hydraulic systems.

IMT recommends stabilizers based on the size of crane you have and the rating of the vehicle body. For cranes rated up to 38,000 ft-lb, select an stabilizer package with a housing channel size of 6" x 4". For larger cranes, IMT recommends stabilizers with a housing size of 7" x 5".

We have included a dimensional chart listing the various sizes and styles of stabilizers so you can see the extended width of the stabilizers. This will help you determine stability.

Use the Stabilizer Chart to help you choose the appropriate stabilizers. As you are making your choice, consider your application, your hydraulic needs, and the size of the housing required.

Stabilizer Dimensions Chart

Part #	Description	Span	Housing Dimensions	Horizontal Tube Dimensions	Recommended Crane Rating	Typical application
31703354	Manual Out / Crank Down	131"	4" x 6" x 3/8"	3" x 5" x 3/8"	Up to 38,000 ft-lb	Telescopic
31703350	Manual Out / Manual Down	128"	4" x 6" x 3/8"	3" x 5" x 3/8"	Up to 38,000 ft-lb	Telescopic
31710656	Manual Out / Power Down	133"	4" x 6" x 3/8"	3" x 6" x 3/8"	Up to 38,000 ft-lb	Telescopic & IMT specialty cranes
31710657	Power Out / Power Down	133"	4" x 6" x 3/8"	3" x 5" x 3/8"	Up to 38,000 ft-lb	Telescopic & IMT specialty cranes
31710966	Manual Out / Power Down	136.75"	4" x 6" x 3/8"	3" x 5" x 3/8"	Up to 38,000 ft-lb	Telescopic & IMT specialty cranes
31710967	Power Out / Power Down	137.25"	4" x 6" x 3/8"	3" x 5" x 3/8"	Up to 38,000 ft-lb	Telescopic & IMT specialty cranes
31712741	Manual Out / Crank Down	136.75"	5 x 7 x 3/8"	4" x 6" x 3/8"	Up to 60,000 ft-lb	Telescopic
31712740	Manual Out / Power Down	136.75"	5 x 7 x 3/8"	4" x 6" x 3/8"	Up to 60,000 ft-lb	Telescopic
31712739	Power Out / Power Down	136.75"	5 x 7 x 3/8"	4" x 6" x 3/8"	Up to 75,000 ft-lb	Telescopic
31704123	Power Out / Power Down	142.25"	6 x 8 x 3/8"	5 x 7 x 3/8"	Up to 129,000 ft-lb	Telescopic & IMT specialty cranes
31710600	Power Out / Power Down	142.25"	6 x 8 x 3/8"	5 x 7 x 3/8"	Up to 230,000 ft-lb	Articulated & tire handling cranes
31711350	Power Out / Power Down Below Frame Mount	142.25"	6 x 8 x 3/8"	5 x 7 x 3/8"	Up to 200,000 ft-lb	Telescopic & IMT specialty cranes
31712397	Power Out / Power Down Below Frame Mount	142.25"	6 x 8 x 3/8"	5 x 7 x 3/8"	Up to 200,000 ft-lb	Articulated & tire handling cranes
31705728	Power Out / Power Down High Frame	142.25"	6 x 8 x 3/8"	5 x 7 x 3/8"	Up to 235,000 ft-lb	Articulated cranes
91719335	Power Out / Power Down, Behind Cab Mount (Rear Mount Crane)	142.25"	6 x 8 x 3/8"	5 x 7 x 3/8"	Up to 260,000 ft-lb	Articulated & material handling cranes
90719002	Power Out / Power Down, Above Frame Mount	142.25"	6 x 8 x 3/8"	5 x 7 x 3/8"	Up to 260,000 ft-lb	Articulated & material handling cranes
91719336	Power Out / Power Down, Rear Mount (Behind Cab Crane)	142.25"	6 x 8 x 3/8"	5 x 7 x 3/8"	Up to 260,000 ft-lb	Articulated & material handling cranes
90719002	Power Out / Power Down, Below Frame Mount	142.25"	6 x 8 x 3/8"	5 x 7 x 3/8"	Up to 260,000 ft-lb	Articulated & material handling cranes
51716385	Front jack-leg stabilizer	18.57" down			Up to 60,000 ft-lb	Telescopic crane bodies
51711242	Manual Front Drop Down	24.75" down			Up to 60,000 ft-lb	Telescopic crane bodies
90701596	Swing Down	31.25" extended			Up to 10,500 ft-lb	Telescopic crane bodies

Parts Information

GENERAL

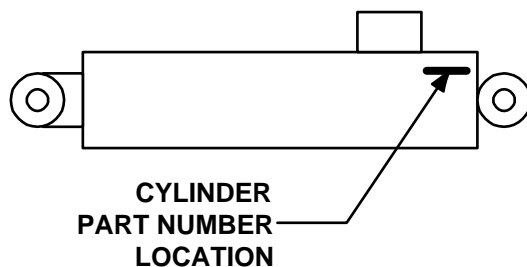
This section contains the exploded parts drawings and accompanying parts lists for various auxiliary stabilizer assemblies, hydraulic cylinders, and valvebanks. These drawings are intended to be used in conjunction with the instructions found in the maintenance and repair manuals for the equipment where these stabilizers are used.

WARNING

DO NOT ATTEMPT TO REPAIR ANY COMPONENT WITHOUT READING THE INFORMATION CONTAINED IN THE REPAIR SECTION. PAY PARTICULAR ATTENTION TO STATEMENTS MARKED WARNING, CAUTION, OR NOTE IN THAT SECTION. FAILURE TO COMPLY WITH THESE INSTRUCTIONS MAY RESULT IN DAMAGE TO THE EQUIPMENT, PERSONAL INJURY, OR DEATH.

CYLINDER IDENTIFICATION

To insure proper replacement parts are received, it is necessary to specify the complete number/letter sequence for any part requested. Part numbers may be cross checked by comparing the stamped identification on the cylinder case (See figure below) against the information contained in the service manual. You must include the part number stamped on the cylinder case when ordering parts.



WELDMENT IDENTIFICATION

Each of the major weldments includes a stamped part number. Any time a major weldment is replaced, you must specify the complete part number as stamped on the weldment. The locations of the part numbers are shown in the Crane Reference Section.

DECALS


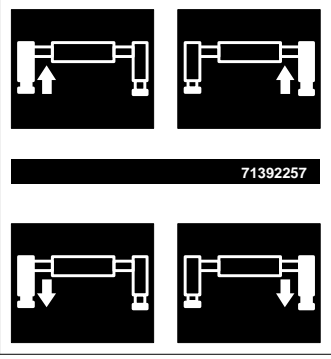

Decals are a required component of the stabilizer assemblies described in this manual, and they are listed in the parts lists. Decal placement is described in a chart for each assembly. If any decal becomes illegible, it must be replaced. See the crane operator and safety manuals for additional information on decals, and see the **Stabilizer Decal** (see "Stabilizer Decals" on page 8) section for decal examples.

ORDERING REPAIR PARTS

When ordering replacement parts:

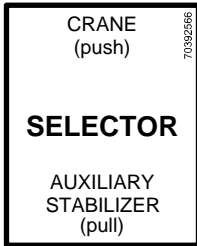
- 1 Describe the variety and part number of the stabilizer assembly.
- 2 Specify the complete part number. When ordering cylinders parts or a major weldment, always provide the stamped part number.
- 3 Give a complete description of the part.
- 4 Specify the quantity required.

Stabilizer Decals

<p>Used on each stabilizer, and at control panel, to warn against danger from injury from stabilizers.</p>	 <p>WARNING</p> <p>Crush Hazard Before extending stabilizers: Look around vehicle. Clear area of all people. Extending stabilizers on people may injure or kill.</p> <p>70392864</p>
<p>Control decal example for in / out stabilizers.</p> <p>Mounted at control station.</p>	 <p>71392257</p>
<p>Control decal example for up / down stabilizers.</p> <p>Mounted at control station.</p>	 <p>71392277</p>

Selector valve decal example when valve is used for both crane and stabilizer functions.

Mounted at selector valve.



CHAPTER 2

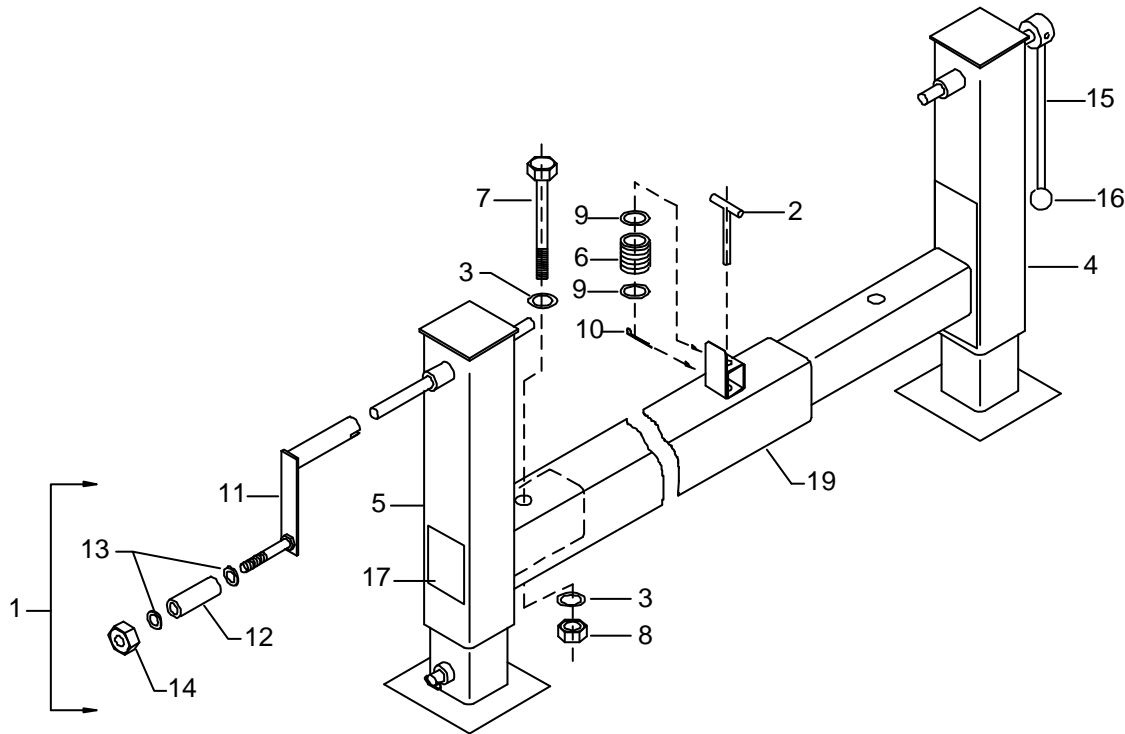
Auxiliary Stabilizer Assemblies

In This Chapter

Stabilizer, Manual Out / Crank Down, 6x4 (31703354).....	11
Stabilizer, Manual Out / Manual Down, 6x4 (31703350).....	13
Stabilizer, Manual Out / Power Down (31710656).....	15
Stabilizer, Power Out / Power Down (31710657).....	17
Stabilizer, Manual Out / Power Down, 6x4 (31710966).....	19
Stabilizer, Power Out/Power Down, 6x4 (31710967).....	22
Stabilizer, Manual Out/Crank Down, 7x5 (31712741).....	24
Stabilizer, Manual Out/Power Down, 7x5 (31712740).....	26
Stabilizer, Power Out/Power Down, 7x5 (31712739).....	29
Stabilizers, Power Out/ Power Down (31704123).....	32
Stabilizer, Power Out / Power Down (31710600).....	34
Stabilizer, Power Out/ Power Down (31711350).....	37
Stabilizer, Power Out/Power Down (31712397).....	41
Stabilizer, Power Out/Power Down High-Frame (31705728).....	44
Stabilizer, Power Out/Power Down Behind Cab for Rear Mount Crane (91719335 / 99903685).....	47
Stabilizer, Power Out/Power Down Above Frame Mount (No Hydraulics) (90719002 / 99903652).....	51
Stabilizer, Power Out/Power Down Rear Mount for Behind Cab Crane (91719336 / 99903686).....	53
Stabilizer, Power Out/Power Down Below Frame Mount (No Hydraulics) (90719001 / 99903653).....	54
Stabilizer, Front Jack-Leg (51716385).....	58
Stabilizer, Front Drop Down (51711242).....	60
Stabilizer, Swing Down (90701596).....	61

Stabilizer, Manual Out / Crank Down, 6x4 (31703354)

STABILIZER SPECIFICATIONS	
Typical Application	Telescopic crane
Recommended Crane Rating	Up to 38,000 ft-lb
Span	131"
Housing Dimensions	4" x 6" x 3/8"
Horizontal Tube Dimensions	3" x 5" x 3/8"



INSTALLATION NOTE:
 STABILIZER HOUSING TUBE MUST BE TIED INTO
 STRUCTURAL SUPPORT OF CRANE.

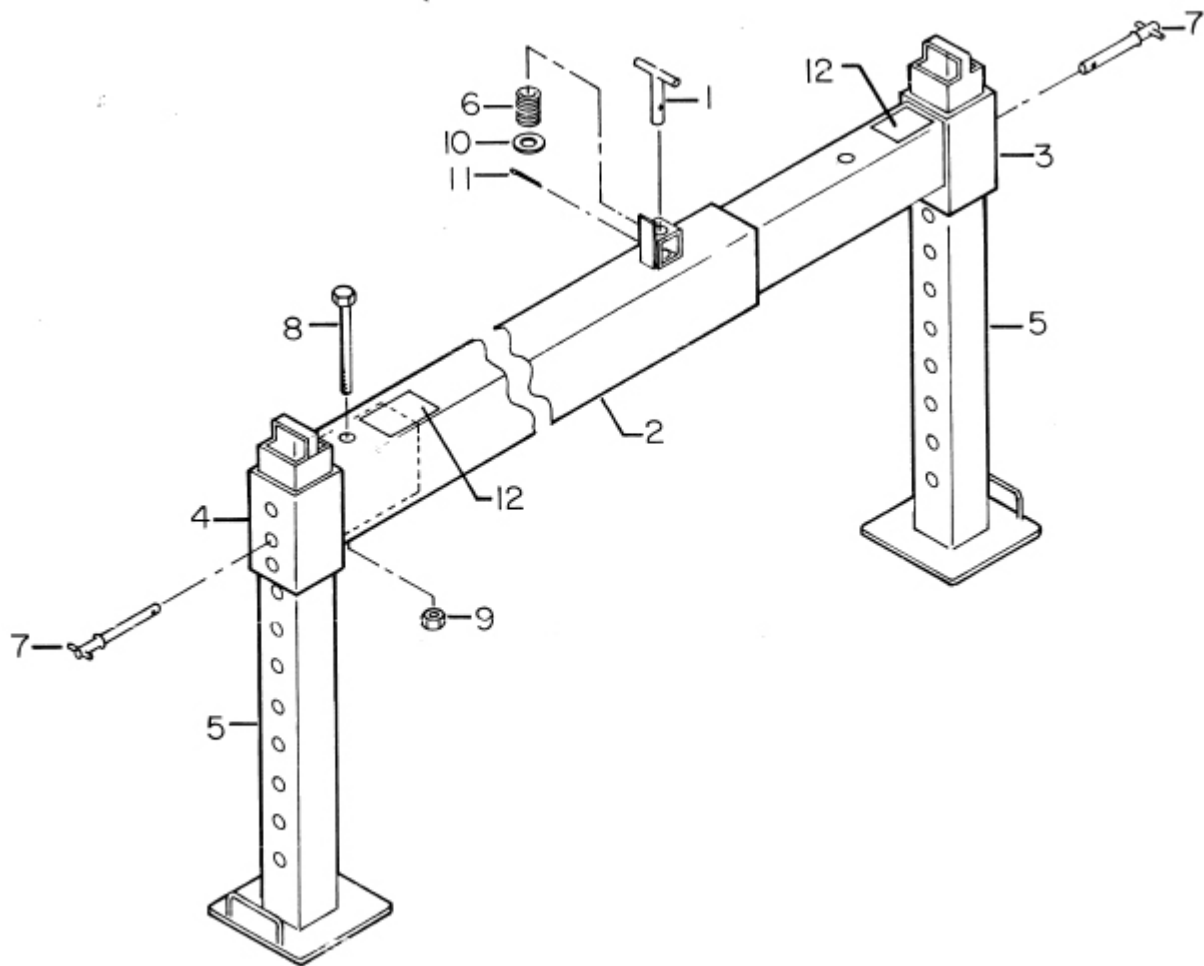
Note: Reference 51704773

31703354 PARTS LIST			
ITEM	PART #	DESCRIPTION	QUANTITY
1.	51705040	CRANK ASM	1
2.	52070138	PIN WELDMENT "T"	1
3.	72063005	WASHER 1/2 FLAT	2
4.	52714179	ARM, ADJUSTABLE 6X4 CRANK	1
5.	52714180	ARM, STATIONARY 6X4 CRANK	1
6.	60010351	SPRING "T" PIN	1
7.	72060105	CAP SCR 1/2-13X7 HHGR5	1
8.	72062080	NUT 1/2-13 HEX NYLOC	1
9.	72063027	MACHY BUSHING 5/8X14 GA NR	2
10.	72066185	COTTER PIN .16 X 1	1
11.	52705039	CRANK WELDMENT (PART OF #1)	1REF
12.	60030099	ROLLER (PART OF #1)	1REF
13.	72063003	WASHER 3/8 WRT (PART OF #1)	2REF

31703354 PARTS LIST			
14.	72062103	NUT 3/8-16 HEX SELF-LOCK (PART OF #1)	1REF
15.	52703319	CRANK HANDLE	1
16.	71039096	CONTROL KNOB	1
17.	70392864	DECAL-WARNING STAB STAND CLEAR	2
18.	99900644	MANUAL-AUX STABILIZER	1
19.	52703334	STABILIZER HOUSING WELDMENT	1
REV A 20120306			

Stabilizer, Manual Out / Manual Down, 6x4 (31703350)

STABILIZER SPECIFICATIONS	
Typical Application	Telescopic crane
Recommended Crane Rating	Up to 38,000 ft-lb
Span	128"
Housing Dimensions	4" x 6" x 3/8"
Horizontal Tube Dimensions	3" x 5" x 3/8"

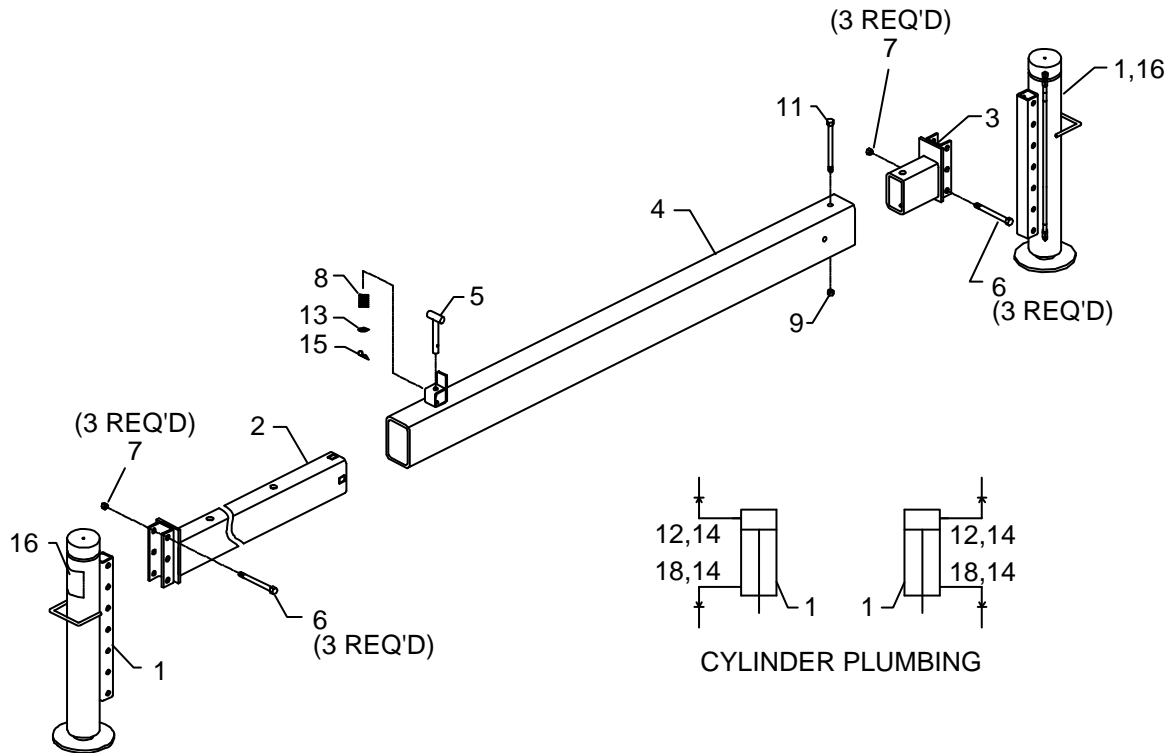


31703350 PARTS LIST			
ITEM	PART #	DESCRIPTION	QUANTITY
1.	52070138	PIN	1
2.	52703334	TUBE WELDMENT	1
3.	52703351	ARM	1
4.	52703352	HOUSING, STATIONARY	1
5.	52703353	LEG	2
6.	60010351	SPRING	1
7.	71731361	PIN, QUICK RELEASE	2
8.	72060105	SCREW, CAP 1/2-13X7 HHGR5	1

31703350 PARTS LIST			
9.	72062080	NUT, LOCK 1/2-13	1
10.	72063007	WASHER 5/8 WRT	1
11.	72066185	COTTER PIN 1/16X1	1
12.	70392864	DECAL, WARNING STABILIZER STAND CLEAR	2
REV 01 20120306			

Stabilizer, Manual Out / Power Down (31710656)

STABILIZER SPECIFICATIONS	
Typical Application	Telescopic & IMT specialty cranes
Recommended Crane Rating	Up to 38,000 ft-lb
Span	133"
Housing Dimensions	4" x 6" x 3/8"
Horizontal Tube Dimensions	3" x 5" x 3/8"



DECAL PLACEMENT	
ITEM #	LOCATION
10	AT POWER DOWN HANDLES
16	ONE ON EACH STABILIZER, ONE AT OR NEAR THE NORMAL OPERATING STATION
19	AT FULL EXTENSION

NOTES:

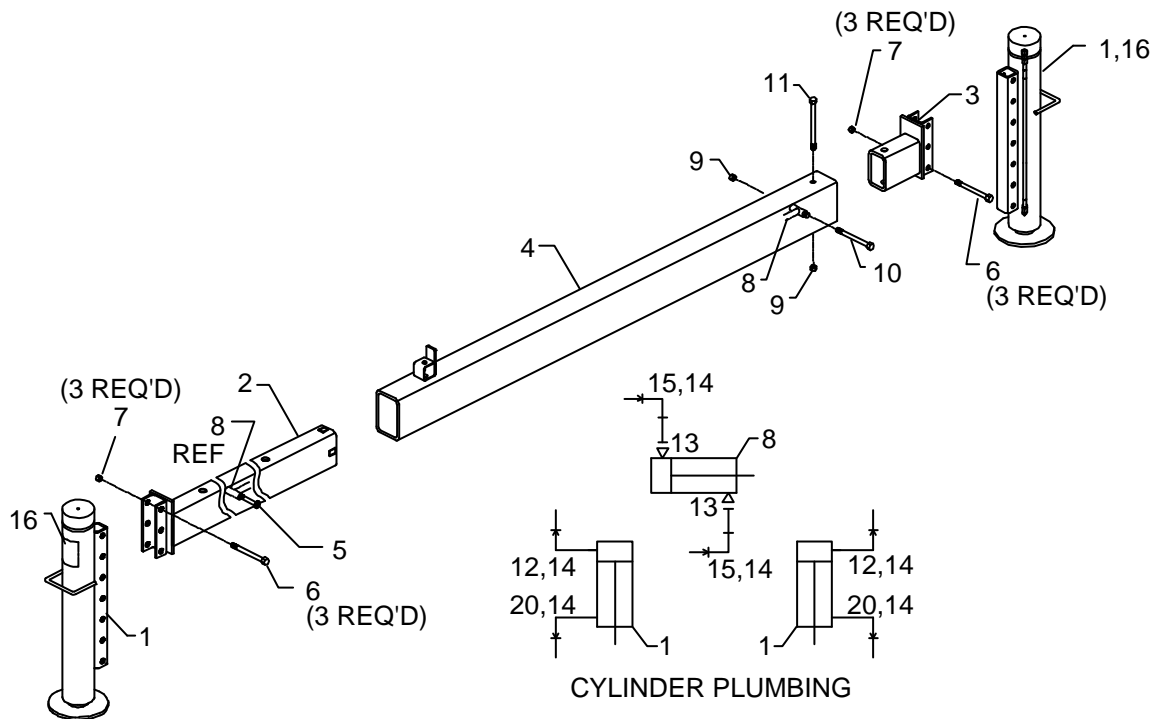
- 1 DECALS SHIPPED LOOSE.
- 2 STABILIZER ASSEMBLED FOR SHIPMENT.
- 3 31710656 IS 91710966 WITHOUT A VALVEBANK.

31710656 PARTS LIST				
ITEM	PART #	DESCRIPTION	DETAILS	QUANTITY
1.	3B205010	CYLINDER	3.5/2.5 18.00S 29.50 CC	2
2.	52705725	ARM, ADJUSTABLE		1

31710656 PARTS LIST				
ITEM	PART #	DESCRIPTION	DETAILS	QUANTITY
3.	52705726	ARM, STATIONARY		1
4.	52703334	HOUSING		1
5.	52070138	PIN		1
6.	72060155	SCREW, CAP	.62-11 X 3.50 HHGR5Z	6
7.	72062091	NUT-LOCK	.62-11	6
8.	60010351	SPRING		1
9.	72062080	NUT-LOCK	.50-13 HEX	1
10.	71392257	DECAL-STAB POWER DOWN		1
11.	72601760	SCREW, CAP	.50-13 X 7.00 HHGR8	1
12.	72053758	ELBOW	MSTR/90/MUJIC .44 X .44	2
13.	72063007	WASHER	.62 WRT	1
14.	72532674	CAP	JIC STEEL .44	4
15.	72066185	PIN, COTTER	.16 X 1.00	1
16.	70392864	DECAL-WARNING STAB STAND CLEAR		3
18.	72533567	ELBOW	MSTR/MJIC XLG #4 #4	2
19.	70399271	DECAL-FULLY DEPLOYED		2
REV D 20120516				

Stabilizer, Power Out / Power Down (31710657)

STABILIZER SPECIFICATIONS	
Typical Application	Telescopic & IMT specialty cranes
Recommended Crane Rating	Up to 38,000 ft-lb
Span	133"
Housing Dimensions	4" x 6" x 3/8"
Horizontal Tube Dimensions	3" x 5" x 3/8"



DECAL PLACEMENT	
ITEM #	LOCATION
16	ONE ON EACH STABILIZER, ONE AT OR NEAR THE NORMAL OPERATING STATION
18	AT POWER OUT CONTROL HANDLES, SELECTOR VALVE
19	AT POWER DOWN CONTROL HANDLES
21	AT FULL EXTENSION

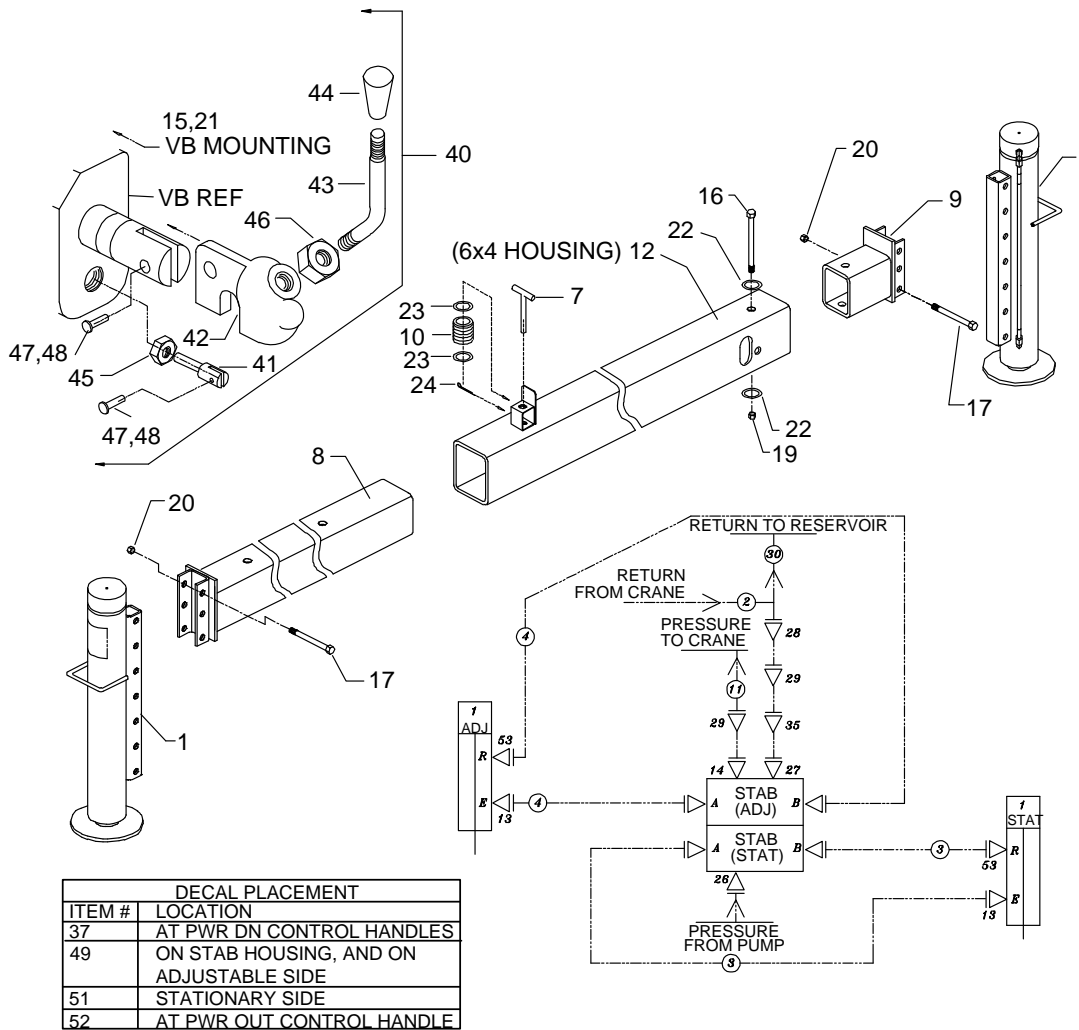
NOTES:

- 1 DECALS SHIPPED LOOSE.
- 2 STABILIZER ASSEMBLED FOR SHIPMENT.
- 3 31710657 IS 91710967 WITHOUT A VALVEBANK.

31710657 PARTS LIST				
ITEM	PART #	DESCRIPTION	DETAILS	QUANTITY
1.	3B205010	CYLINDER	3.5/2.5 18.00S 29.50 CC	2
2.	52705725	ARM, ADJUSTABLE		1
3.	52705726	ARM, STATIONARY		1
4.	52703334	HOUSING		1
5.	72661473	PIN-SPRING	.50 X 3.00	1
6.	72060155	SCREW, CAP	.62-11 X 3.50 HHGR5Z	6
7.	72062091	NUT-LOCK	.62-11	6
8.	3B142860	CYLINDER	1.2/7 42.00S 50.00 CC	1
9.	72062080	NUT-LOCK	.50-13 HEX	2
10.	72060101	SCREW, CAP	.50-13 X 5.00 HHGR5Z	1
11.	72601760	SCREW, CAP	.50-13 X 7.00 HHGR8	1
12.	72053758	ELBOW	MSTR/90/MUJIC .44 X .44	2
13.	72532351	ADAPTER	MSTR/MJIC .44 X .44	2
14.	72532674	CAP	JIC STEEL .44	6
15.	72532690	ELBOW	FJIC/MJIC .44 X .44	2
16.	70392864	DECAL-WARNING STAB STAND CLEAR		3
18.	71392277	DECAL-STAB POWER OUT		1
19.	71392257	DECAL-STAB POWER DOWN SS		1
20.	72533567	ELBOW	MSTR/MJIC XLG #4 #4	2
21.	70399271	DECAL-FULLY DEPLOYED		2
REV G 20120515				

Stabilizer, Manual Out / Power Down, 6x4 (31710966)

STABILIZER SPECIFICATIONS	
Typical Application	Telescopic cranes
Recommended Crane Rating	Up to 38,000 ft-lb
Span	136.75"
Housing Dimensions	4" x 6" x 3/8"
Horizontal Tube Dimensions	3" x 5" x 3/8"



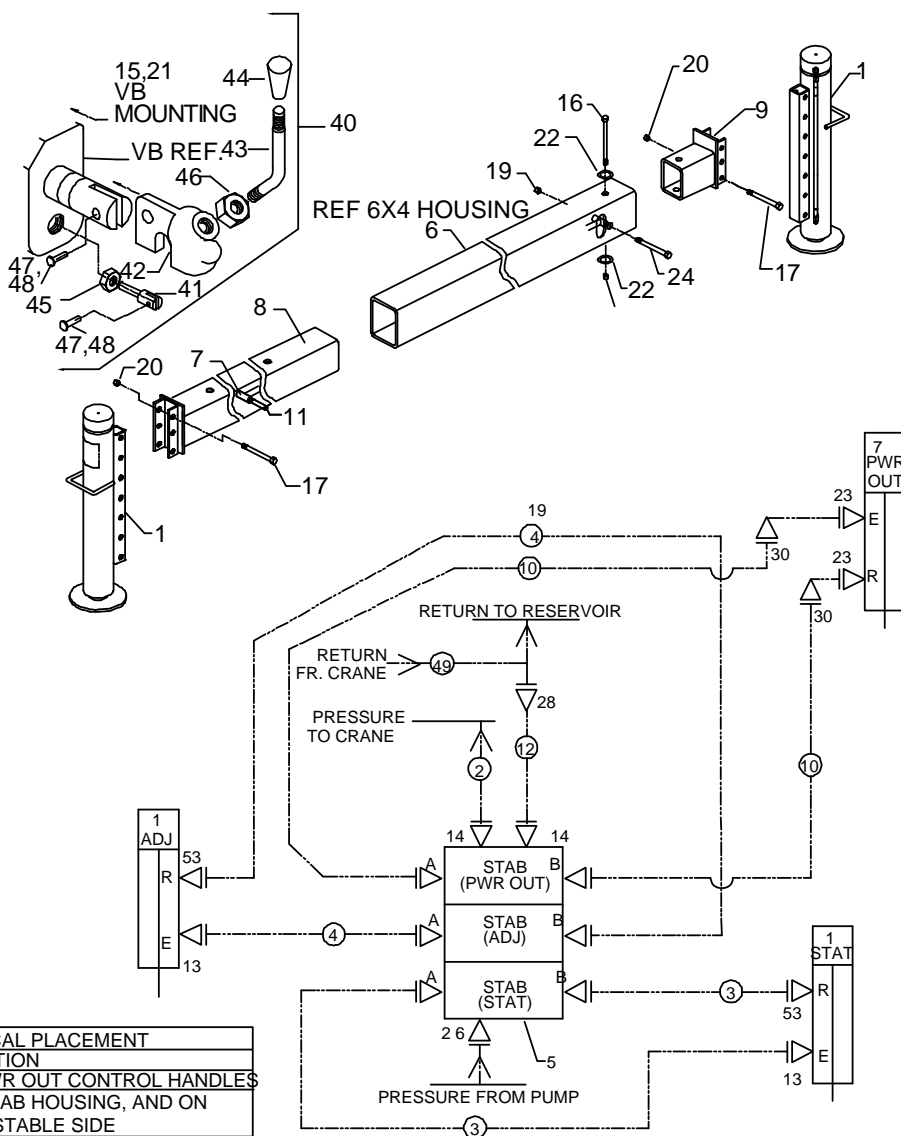
NOTES (SEE REFERENCE NUMBER IN BOX):

- 1 TIE STABILIZER HOUSING TUBE INTO THE STRUCTURAL SUPPORT OF THE CRANE.
- 2 ITEMS #18, #25, AND #21 (QTY 1) ARE INSTALLED BEHIND THE BACK WALL OF THE CRANE BOX TO SUPPORT HOSE ASSEMBLY #2 AS IT PASSES BEHIND THE CRANE BOX.
- 3 ITEMS #18, #25, AND #21 (QTY 1) ARE INSTALLED UNDER THE BELLY PAN OF THE FLOOR TO SUPPORT HOSE ASSEMBLIES #3 AND #10 AS THEY PASS UNDER THE BELLY PAN.
- 4 INSTALL #38 SPIRAL WRAP AROUND #3 AND #4.

31710966 PARTS LIST				
ITEM	PART #	DESCRIPTION	DETAILS	QUANTITY
1.	3B205010	CYLINDER		2
2.	51395431	HOSE ASSEMBLY	FJ 1/2X98 OAL	1
3.	51395552	HOSE ASSEMBLY	FJ 1/4X135 OAL	2
4.	51396280	HOSE ASSEMBLY	FJ 1/4X96 OAL	2
5.	51714813	VALVE BANK, 2 SECTION	INCLUDES #40	1
7.	52070138	PIN WELDMENT		1
8.	52705725	ARM, ADJUSTABLE		1
9.	52705726	ARM, STATIONARY		1
10.	60010351	SPRING "T" PIN		1
11.	51396184	HOSE ASSEMBLY	FF 1/2X159	1
12.	52703334	HOUSING, STAB 6X4		1
13.	72053758	ELBOW	#4MSTR #4MJIC 90°	2
14.	72053764	ELBOW	#10MSTR #8MJIC 90°	1
15.	72060025	CAP SCREW	5/16-18X1 HHGR5Z	3
16.	72601760	CAP SCREW	1/2-13X7 HHGR8	1
17.	72060155	CAP SCREW	5/8-11X3.5 HHGR5	4
18.	72060833	SCREW-THREAD CUT	5/16-18X3/4 HWH-1 (SEE NOTE)	2
19.	72062080	NUT	1/2-13 HEX NYLOC	1
20.	72062091	NUT	5/8-11 HEX NYLOC	4
21.	72063002	WASHER	5/16 FLAT	5
22.	72063005	WASHER	1/2 FLAT	2
23.	72063027	MACHY BUSHING	5/8X14 GA NR	2
24.	72066185	COTTER PIN	.16 X 1.00	1
25.	72066582	CLAMP-UMP 20	SEE NOTE	2
26.	72532358	ADAPTER	#8MSTR #8MJIC	1
27.	72532365	ADAPTER	#10MSTR #12MJIC	1
28.	72532657	TEE-SWIVEL NUT RUN	3/4 JIC	1
29.	72532658	ELBOW	#8MJIC #8FJIC SW	2
30.	51396282	HOSE	FF 3/4X51 OAL (12-12)	1
35.	72532972	ADAPTER	#8MJIC #12FJIC	1
37.	76391511	DECAL-UP & DOWN STAB. R&L		1
38.	89034049	SPIRAL WRAP, BLACK	SEE NOTE	4'
39.	99900644	MANUAL-AUXILIARY STABILIZER		1
40.	51731580	HANDLE ASSEMBLY	(INCL. 34-41) (PART OF 5)	2REF
41.	70142648	PIVOT-LEVER	PART OF #40	2REF
42.	70142650	LEVER SUPPORT	PART OF #40	2REF
43.	70142651	LEVER-CONTROL HANDLE	PART OF #40	2REF
44.	71392269	KNOB-CONTROL HANDLE	PART OF #40	2REF
45.	72062021	NUT	5/16-18 HEX JAM (PART OF #40)	2REF
46.	72062024	NUT	1/2-13 HEX JAM (PART OF #40)	2REF
47.	72066162	COTTER PIN	PART OF #40	4REF
48.	72661204	CLEVIS PIN	PART OF #40	4REF
49.	70392864	DECAL-DANGER STAB STAND CLEAR		3
51.	71392257	DECAL-STAB POWER DOWN SS		1
52.	71392277	DECAL-STAB POWER OUT		1
53.	72533567	ELBOW	#4MSTR #4MJIC XLG	2
54.	70399271	DECAL-FULLY DEPLOYED		2
REV G 20120307				

Stabilizer, Power Out/Power Down, 6x4 (31710967)

STABILIZER SPECIFICATIONS	
Typical Application	Telescopic cranes
Recommended Crane Rating	Up to 38,000 ft-lb
Span	137.25"
Housing Dimensions	4" x 6" x 3/8"
Horizontal Tube Dimensions	3" x 5" x 3/8"



DECAL PLACEMENT	
ITEM #	LOCATION
36	AT PWR OUT CONTROL HANDLES
50	ON STAB HOUSING, AND ON ADJUSTABLE SIDE
52	STATIONARY SIDE
37	AT PWR DOWN CONTROL HANDLE
54	AT FULL EXTENSION

NOTES (SEE REFERENCE NUMBER IN BOX):

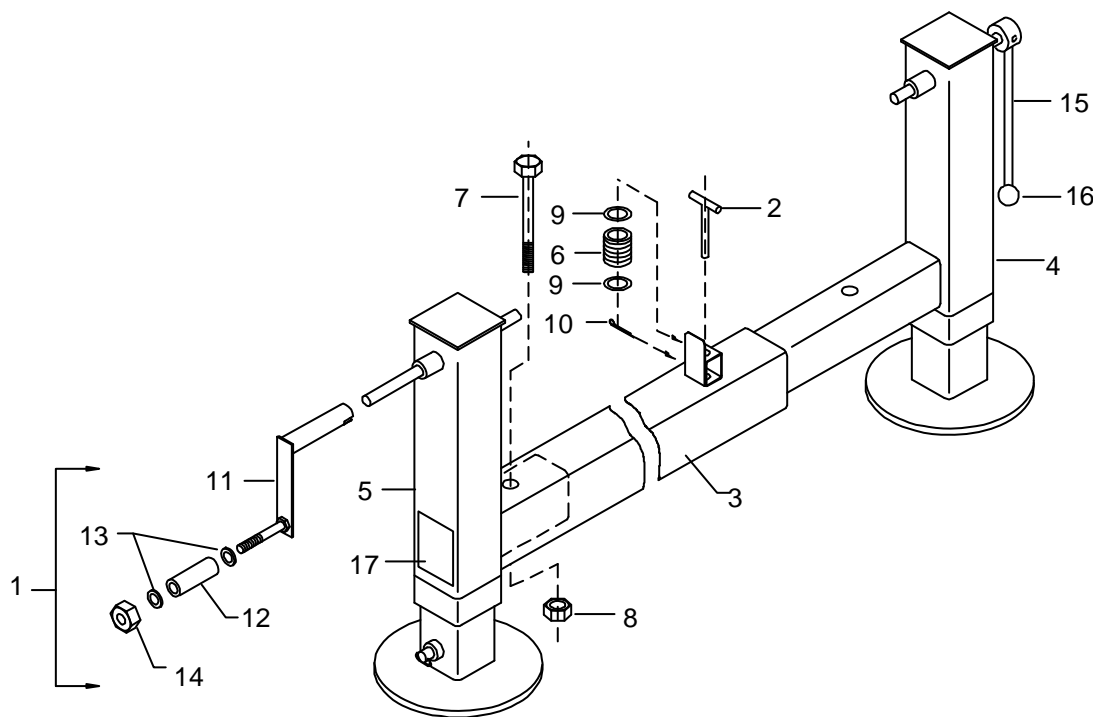
- 1 INSERT PIN #11 THROUGH SIDE OF WALL #8 WHILE PASSING THROUGH END OF #7.
- 2 INSTALL #18, #25 AND #21 TO SUPPORT HOSE ASSEMBLIES #3, #4, AND #10.
- 3 INSTALL #38 SPIRAL WRAP AROUND #3 AND #4 NEAR #1.

31710967 PARTS LIST				
ITEM	PART #	DESCRIPTION	DESCRIPTION	QUANTITY
1.	3B205010	CYLINDER, POWER DOWN LEG		2
2.	51394917	HOSE ASSEMBLY	FF 1/2 X 137 OAL (8-8)	1
3.	51395552	HOSE ASSEMBLY	FJ 1/4X135 OAL (4-4)	2
4.	51396280	HOSE ASSEMBLY	FJ 1/4X96 OAL (4-4)	2
5.	51714812	VALVEBANK ASM - 3 SECTION		1
6.	52703334	TUBE - STAB POWER OUT		1
7.	3B142860	CYLINDER, POWER STAB	1.2/.7 42.00S 50.00CC	1
8.	52705725	ARM, ADJUSTABLE		1
9.	52705726	ARM, STATIONARY		1
10.	51396281	HOSE	FJ 1/4 X 107 OAL (4-4)	2
11.	72661473	PIN-SPRING	1/2 X 3	1
12.	51395412	HOSE	FJ 1/2X63 OAL (8-8)	1
13.	72053758	ELBOW	#4MSTR #4MJIC 90°	2
14.	72532358	ADAPTER	#8MSTR #8MJIC	1
15.	72060025	CAP SCREW	5/16-18X1 HHGR5Z	3
16.	72601760	CAP SCREW	1/2-13X7 HHGR8	1
17.	72060155	CAP SCREW	5/8-11 X 3.50 HHGR5Z	4
18.	72060833	SCREW- THREAD CUT	5/16-18 X 3/4 HWH-1 (SEE NOTE)	2
19.	72062080	NUT	1/2-13 HEX NYLOC	2
20.	72062091	NUT	5/8-11 HEX NYLOC	4
21.	72063002	WASHER	5/16 FLAT	5
22.	72063005	WASHER	1/2 FLAT	2
23.	72532351	ADAPTER	#4MSTR #4MJIC	4
24.	72060101	CAP SCREW	1/2-13 X 5 HHGR5	1
25.	72066582	CLAMP UMP 20	SEE NOTE	2
26.	72532358	ADAPTER	#8MSTR #8MJIC	1
28.	72532657	TEE	#8JIC SWVL NUT RUN	1
30.	72532690	ELBOW	#4MJIC #4FJIC SW	2
36.	71392277	DECAL-STABILIZER POWER OUT		1
37.	76391511	DECAL-UP & DOWN STAB. R&L		1
38.	89034049	SPIRAL WRAP, BLACK	SEE NOTE	4'
39.	99900644	MANUAL-AUX STABILIZER		1
40.	51731580	HANDLE ASSEMBLY	(PART OF 5) (INCLUDES 34-41)	2REF
41.	70142648	PIVOT-LEVER	PART OF #40	2REF
42.	70142650	LEVER SUPPORT	PART OF #40	2REF
43.	70142651	LEVER-CONTROL HANDLE	PART OF #40	2REF
44.	71392269	KNOB-CONTROL HANDLE	PART OF #40	2REF
45.	72062021	NUT	(5/16-18 HEX JAM) PART OF #40	2REF
46.	72062024	NUT	1/2-13 HEX JAM (PART OF #40)	2REF
47.	72066162	COTTER PIN	PART OF #40	4REF
48.	72661204	CLEVIS PIN	PART OF #40	4REF
49.	51395431	HOSE	FF 1/2X98 OAL (8-8)	1
50.	70392864	DECAL-DANGER STAB STAND CLEAR		2

31710967 PARTS LIST				
ITEM	PART #	DESCRIPTION	DESCRIPTION	QUANTITY
52.	71392257	DECAL-STAB POWER DN SS		1
53.	72533567	ELBOW	#4MSTR #4MJIC XLG	2
54.	70399271	DECAL-FULLY DEPLOYED		2
REV G 20120307				

Stabilizer, Manual Out/Crank Down, 7x5 (31712741)

STABILIZER SPECIFICATIONS	
Typical Application	Telescopic cranes
Recommended Crane Rating	Up to 60,000 ft-lb
Span	136.75"
Housing Dimensions	5" x 7" x 3/8"
Horizontal Tube Dimensions	4" x 6" x 3/8"



NOTE:

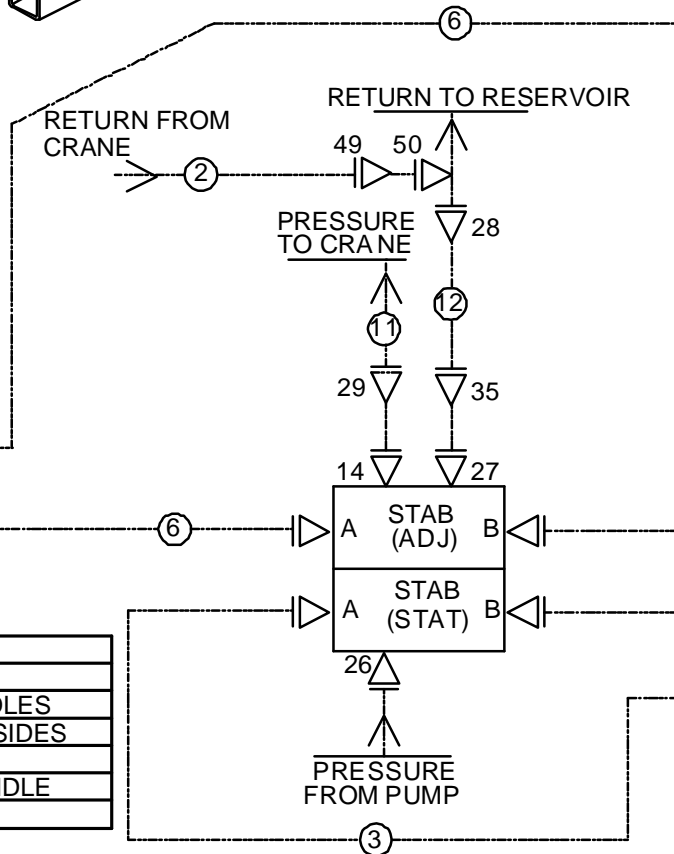
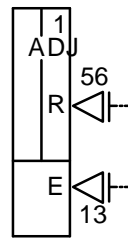
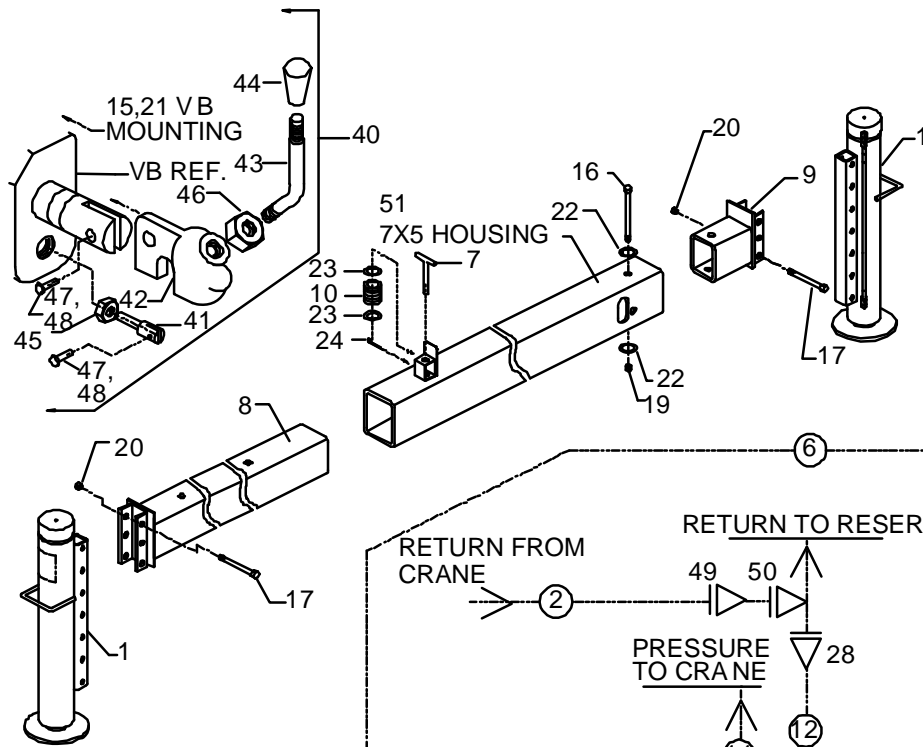
1 TIE STABILIZER HOUSING TUBE INTO STRUCTURAL SUPPORT OF CRANE.

31712741 PARTS LIST			
ITEM	PART #	DESCRIPTION	QUANTITY
1.	51705040	CRANK ASM (INCL. 11-14)	1
2.	52070138	PIN WELDMENT - "T"	1
3.	52712734	STAB HOUSING 7X5	1
4.	52712737	ARM-STAB ADJ. MAN OUT/CRANK DOWN	1
5.	52712738	ARM-STAT MAN OUT/CRANK DOWN	1
6.	60010351	SPRING-"T" PIN	1
7.	72060107	CAP SCR 1/2-13X8 HHGR5	1
8.	72062080	NUT 1/2-13 HEX NYLOC	1
9.	72063007	WASHER 5/8 FLAT	2
10.	72066185	COTTER PIN	1
11.	52705039	CRANK WELDMENT (PART OF #1)	1REF
12.	60030099	ROLLER (PART OF #1)	1REF
13.	72063003	WASHER 3/8 WRT (PART OF #1)	2REF

31712741 PARTS LIST			
14.	72062103	NUT 3/8-16 HEX SELF-LOCK (PART OF #1)	1REF
15.	52703319	CRANK HANDLE	1
16.	71039096	CONTROL KNOB	1
17.	70392864	DECAL-DANGER STAB STAND CLEAR	2
REV A 20031117			

Stabilizer, Manual Out/Power Down, 7x5 (31712740)

STABILIZER SPECIFICATIONS	
Typical Application	Telescopic cranes
Recommended Crane Rating	Up to 60,000 ft-lb
Span	136.75"
Housing Dimensions	5" x 7" x 3/8"
Horizontal Tube Dimensions	4" x 6" x 3/8"



DECAL PLACEMENT	
ITEM	LOCATION
37	AT PWR DN CTRL HANDLES
52	STAB HOUSING, BOTH SIDES
54	STATIONARY SIDE
55	AT PWR OUT CTRL HANDLE
57	AT FULL EXTENSION

Installation Notes:

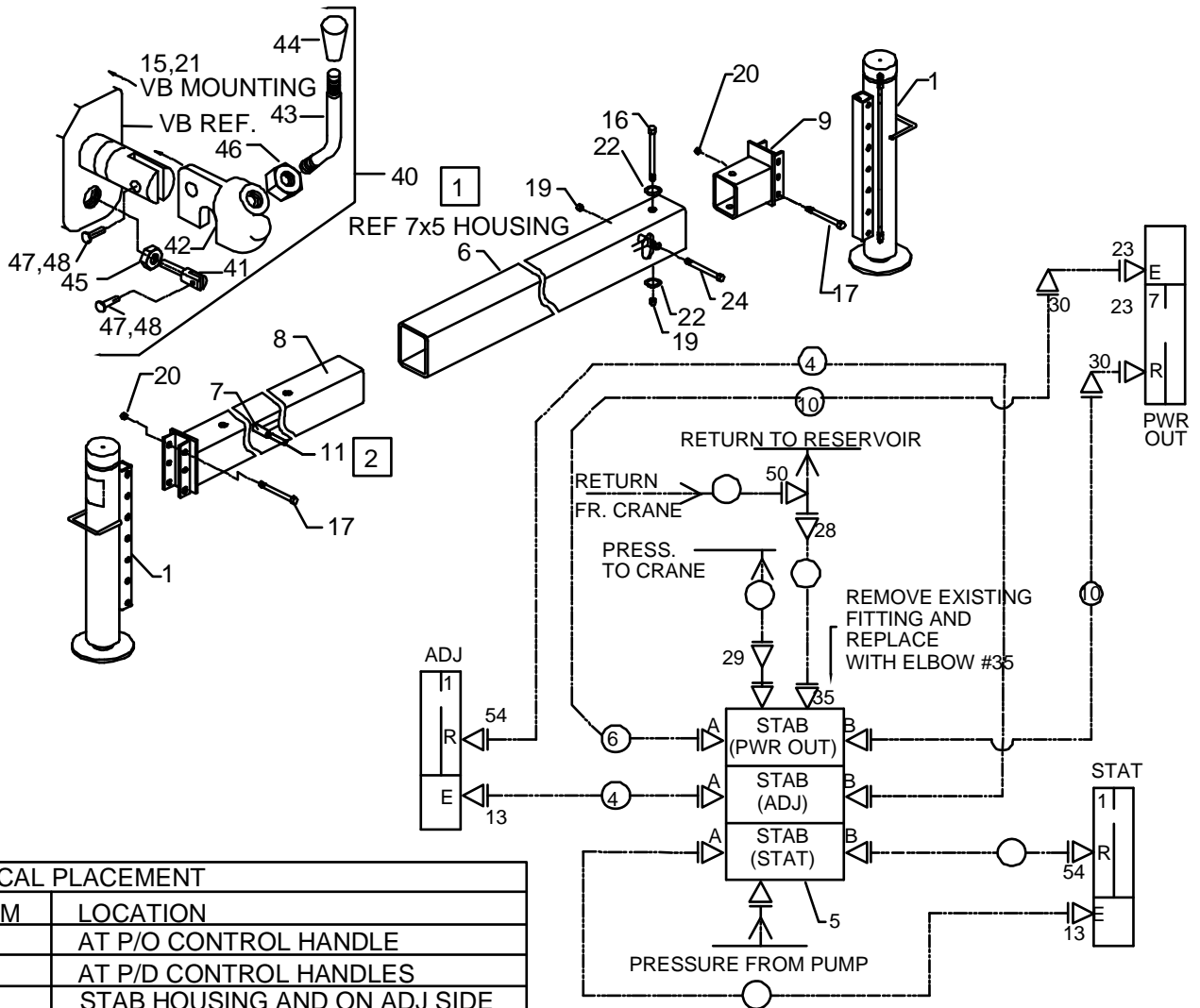
- 1 Tie stabilizer housing tube into the structural support of the crane.
- 2 Items #18, #25, and quantity (1) of #21 are installed behind the back wall of the crane box to support hose assembly #2 as it passes behind the crane box.
- 3 Items #18, #25, and quantity (1) of #21 are installed under belly pan of floor to support hose assembly #3 as it passes under belly pan.
- 4 #38 spiral wrap is installed around #3 and #4.

31712740 PARTS LIST			
ITEM	PART #	DESCRIPTION	QUANTITY
1.	3B205010	CYLINDER	2
2.	51394931	HOSE-FF 1/2X98 OAL	1
3.	51395552	HOSE-FJ 1/4X135 OAL	2
5.	51714813	VALVE BANK, 2 SECT (INCLUDES #40)	1
6.	51396280	HOSE-FJ 1/4X96	2
7.	52070138	PIN WELDMENT	1
8.	52712735	ARM, ADJUSTABLE	1
9.	52712736	ARM, STATIONARY	1
10.	60010351	SPRING "T" PIN	1
11.	51396184	HOSE-FF 1/2X159 OAL (8-8) (PART OF #51)	1
12.	51396282	HOSE-FF 3/4 X51 OAL (12-12) (PART OF #51)	1
13.	72053758	ELBOW #4MSTR #4MJIC 90°	2
14.	72053764	ELBOW #10MSTR #8MJIC 90°	1
15.	72060025	CAP SCR 5/16-18X1 HHGR5Z	3
16.	72060107	CAP SCR 1/2-13X8 HHGR5	1
17.	72060155	CAP SCR 5/8-11X3.5 HHGR5	4
18.	72060833	SCR-THD CUT 5/16-18X3/4 HWH-1 (SEE NOTE)	2
19.	72062080	NUT 1/2-13 HEX NYLOC	1
20.	72062091	NUT 5/8-11 HEX NYLOC	4
21.	72063002	WASHER 5/16 FLAT	5
22.	72063005	WASHER 1/2 FLAT	2
23.	72063027	MACHY BUSHING 5/8X14 GA NR	2
24.	72066185	COTTER PIN	1
25.	72066582	CLAMP-UMP 20 (SEE NOTE)	2
26.	72532358	ADPTR #8MSTR #8MJIC	1
27.	72532365	ADPTR #10MSTR #12MJIC	1
28.	72531205	TEE-MALE JIC 3/4-16 1/2 TUBE	1
29.	72532658	ELBOW #8MJIC #8FJIC SW	1
35.	72532696	ELBOW #12MJIC #12FJIC SW	1
37.	76391511	DECAL-UP & DOWN STAB. R&L	1
38.	89034049	SPIRAL WRAP, BLK (SEE NOTE)	4'
39.	99900644	MANUAL-AUX STABILIZER	1
40.	51731580	HANDLE ASM (INCL. 34-41) (PART OF 5)	2REF
41.	70142648	PIVOT-LEVER (PART OF #40)	2REF
42.	70142650	LEVER SUPPORT (PART OF #40)	2REF
43.	70142651	LEVER-CONTROL HANDLE (PART OF #40)	2REF
44.	71392269	KNOB-CONTROL HANDLE (PART OF #40)	2REF
45.	72062021	NUT 5/16-18 HEX JAM (PART OF #40)	2REF
46.	72062024	NUT 1/2-13 HEX JAM (PART OF #40)	2REF
47.	72066162	COTTER PIN (PART OF #40)	4REF
48.	72661204	CLEVIS PIN (PART OF #40)	4REF
49.	72532972	ADPTR #8MJIC #12FJIC	1
50.	72532980	ADTPR PR SW IN-LINE JIC 3/4	1
51.	52712734	STAB HOUSING 7X5	1

31712740 PARTS LIST			
52.	70392864	DECAL-WARNING STAB STAND CLEAR	2
54.	71392257	DECAL-STAB POWER DOWN SS	1
55.	71392277	DECAL-STAB POWER OUT	1
56.	72533567	ELBOW #4MSTR #4MJIC XLG	2
57.	70399271	DECAL-FULLY DEPLOYED	2
REV F 20120308			

Stabilizer, Power Out/Power Down, 7x5 (31712739)

STABILIZER SPECIFICATIONS	
Typical Application	Telescopic cranes
Recommended Crane Rating	Up to 75,000 ft-lb
Span	136.75"
Housing Dimensions	5" x 7" x 3/8"
Horizontal Tube Dimensions	4" x 6" x 3/8"



DECAL PLACEMENT	
ITEM	LOCATION
36	AT P/O CONTROL HANDLE
37	AT P/D CONTROL HANDLES
51	STAB HOUSING AND ON ADJ SIDE
53	STAB ADJUSTABLE SIDE
56	AT FULL EXTENSION

NOTES (SEE REFERENCE NUMBER IN BOX):

- 1 TIE STABILIZER HOUSING TUBE INTO THE STRUCTURAL SUPPORT OF THE CRANE WHEN INSTALLING STABILIZERS.
- 2 INSERT PIN #11 THROUGH SIDE WALL OF #8 WHILE PASSING THROUGH END OF #7.

3 INSTALL #18, 21, 25 TO SUPPORT HOSE ASSEMBLIES #3, 4, AND 10.

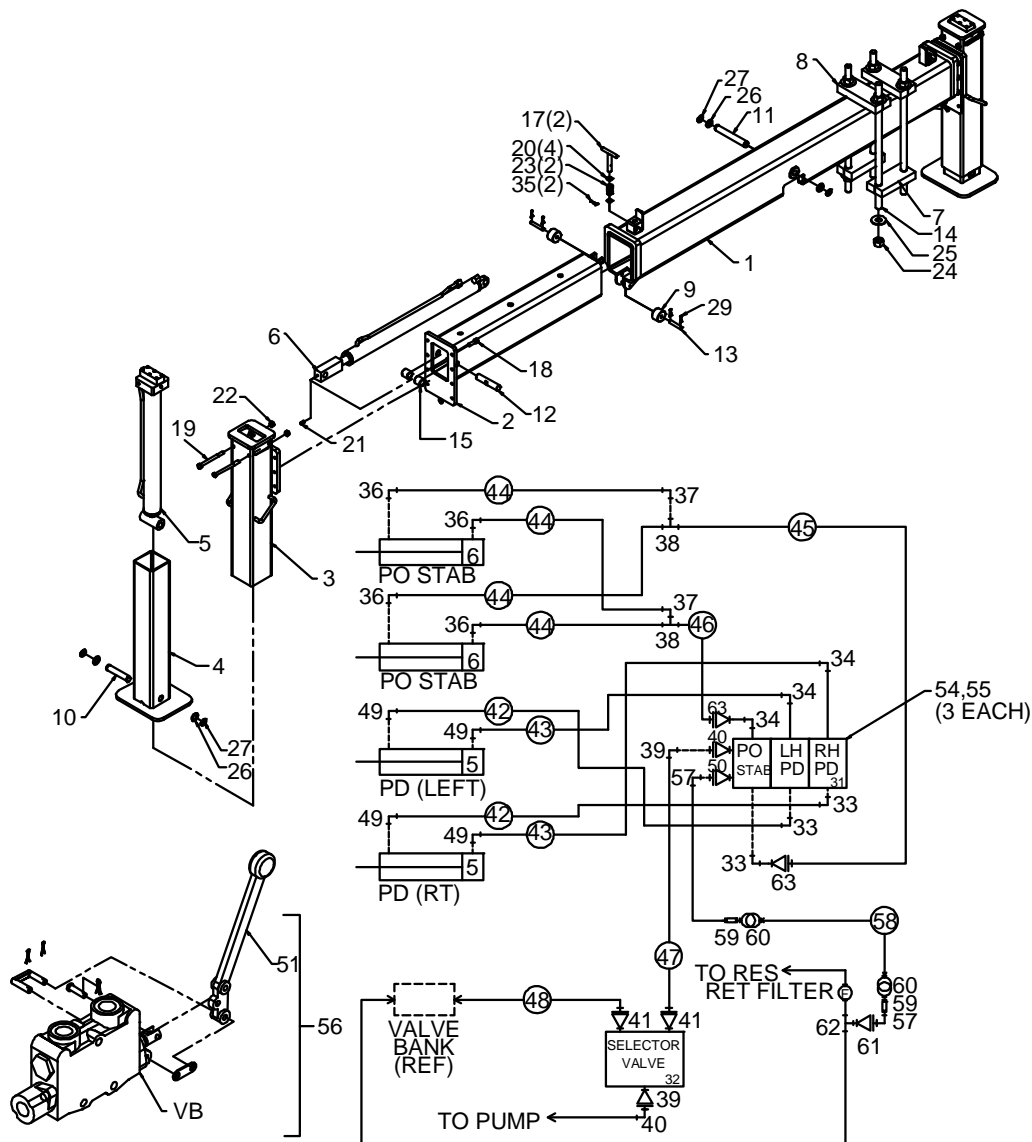
4 INSTALL #38 SPIRAL WRAP AROUND HOSE ASSEMBLIES #3 AND #4 NEAR #1 CYLINDER.

31712739 PARTS LIST				
ITEM	PART #	DESCRIPTION	DETAILS	QUANTITY
1.	3B205010	CYLINDER	3.5/2.5 18.00SS 29.50CC	2
2.	51396184	HOSE	FF 1/2X159 OAL (8-8) (PART OF #55)	1REF
3.	51395164	HOSE	FJ 1/4X135 OAL (4-4) (PART OF #55)	2REF
4.	51396280	HOSE	FJ 1/4X96 OAL (4-4) (PART OF #55)	2REF
5.	51714812	VALVEBANK ASSEMBLY		1
6.	60118680	TUBE-STABILIZER HOUSING POWER OUT		1REF
7.	3B142860	CYLINDER, POWER OUT	1.2/7 42.00S 50.00CC	1
8.	52712735	ARM, ADJUSTABLE		1
9.	52712736	ARM, STATIONARY		1
10.	51396281	HOSE	FJ 1/4X107 OAL (4-4) (PART OF #55)	2REF
11.	72661472	PIN-SPRING	1/2X4	1
12.	51396282	HOSE	FF 3/4 X51 OAL (12-12) (PART OF #55)	1REF
13.	72053758	ELBOW	#4MSTR #4MJIC 90°	2
15.	72060025	CAP SCREW	5/16-18X1 HHGR5Z	3
16.	72060107	CAP SCREW	1/2-13X8 HHGR5	1
17.	72060155	CAP SCREW	5/8-11X3.5 HHGR5	4
18.	72060833	SCREW-THREAD CUT	5/16-18X3/4 HWH-1 (SEE NOTE)	2
19.	72062080	NUT	1/2-13 HEX NYLOC	2
20.	72062091	NUT	5/8-11 HEX NYLOC	4
21.	72063002	WASHER	5/16 FLAT	5
22.	72063005	WASHER	1/2 FLAT	2
23.	72532351	ADAPTER	#4MSTR #4MJIC	4
24.	72601297	CAP SCREW	1/2-13 X 5.75 HH GR5	1
25.	72066582	CLAMP-UMP 20	(SEE NOTE)	2
28.	72531205	TEE-MALE JIC	3/4-16 1/2 TUBE	1
29.	72532658	ELBOW	#8MJIC #8FJIC SW	1
30.	72532690	ELBOW	#4MJIC #4FJIC SW	2
35.	72533623	ELBOW	#8MSTR #12MJIC 90°	1
36.	71392277	DECAL-STABILIZER POWER OUT		1
37.	76391511	DECAL-UP & DOWN STAB. R&L		1
38.	89034049	SPIRAL WRAP, BLACK	(SEE NOTE)	4'
39.	99900644	MANUAL-AUX STABILIZER		1
40.	51731580	HANDLE ASSEMBLY	(INCL. 34-41) (PART OF 5)	2REF
41.	70142648	PIVOT-LEVER	(PART OF #40)	2REF
42.	70142650	LEVER SUPPORT	(PART OF #40)	2REF
43.	70142651	LEVER-CONTROL HANDLE	(PART OF #40)	2REF
44.	71392269	KNOB-CONTROL HANDLE	(PART OF #40)	2REF
45.	72062021	NUT	5/16-18 HEX JAM (PART OF #40)	2REF
46.	72062024	NUT	1/2-13 HEX JAM (PART OF #40)	2REF
47.	72066162	COTTER PIN	(PART OF #40)	4REF
48.	72661204	CLEVIS PIN	(PART OF #40)	4REF

31712739 PARTS LIST				
ITEM	PART #	DESCRIPTION	DETAILS	QUANTITY
49.	51395431	HOSE	FF 1/2X96 OAL (8-8) (PART OF #55)	1REF
50.	72532972	ADAPTER	#8MJIC #12FJIC	1
51.	70392864	DECAL-DANGER STAB STAND CLEAR		2
53.	71392257	DECAL-DANGER POWER DOWN SS		1
54.	72533567	ELBOW	#4MSTR #4MJIC XLG	2
55.	51717834	HOSE KIT - STAB PO/PD (7X5)		1
56.	70399271	DECAL-FULLY DEPLOYED		2
REV F 20120309				

Stabilizers, Power Out/ Power Down (31704123)

STABILIZER SPECIFICATIONS	
Typical Application	Telescopic & IMT specialty cranes
Recommended Crane Rating	Up to 129,000 ft-lb
Span	142.25"
Housing Dimensions	6" x 8" x 3/8"
Horizontal Tube Dimensions	5" x 7" x 3/8"

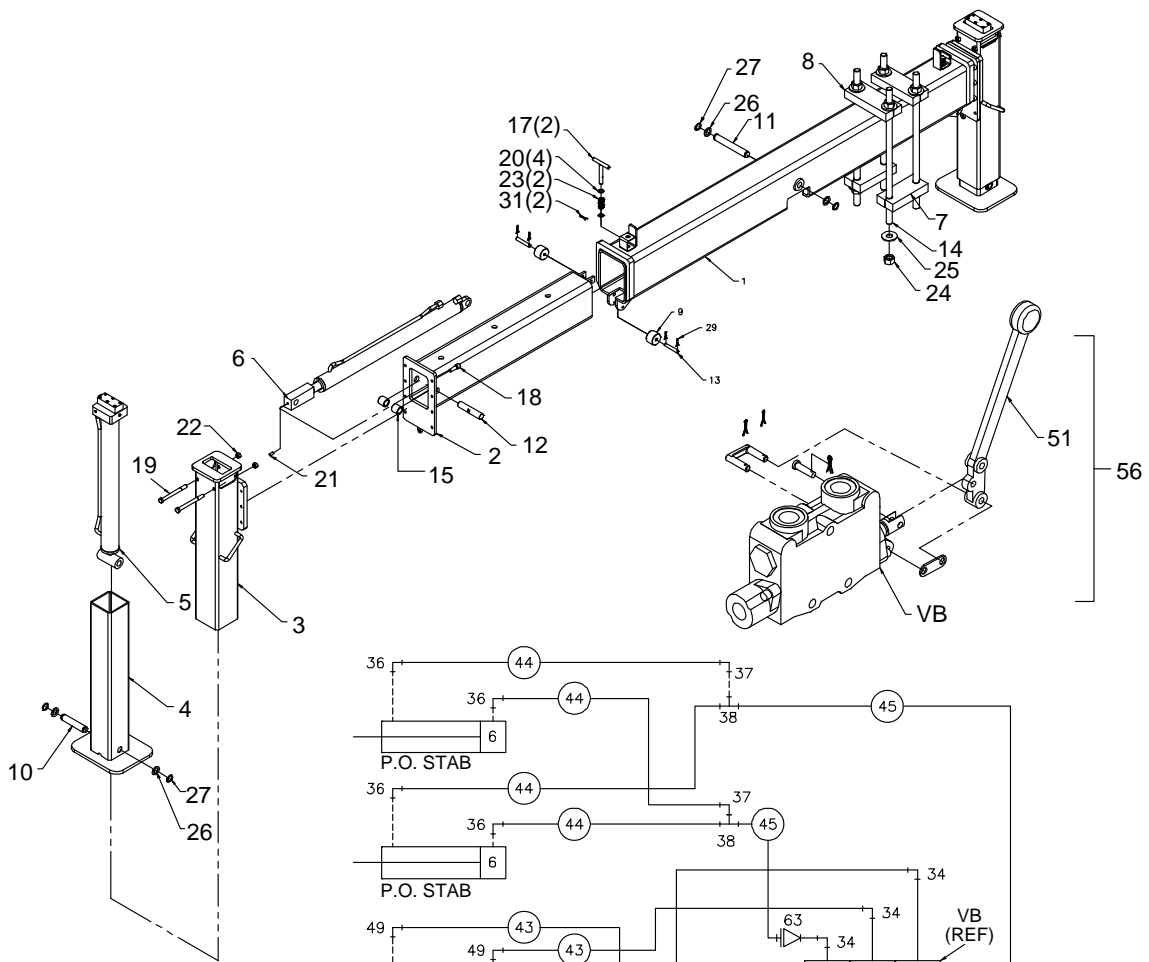


31704123 PARTS LIST			
ITEM	PART #	DESCRIPTION	QUANTITY
1.	52704109	STABILIZER HOUSING-WELDMENT	1
2.	52701065	STAB ARM-WELDMENT	2
3.	52704867	STAB HSG-WELDMENT	2
4.	52704868	STAB LEG-WELDMENT	2
5.	3B166820	CYLINDER	2
6.	3B210522	CYLINDER	2
7.	60010354	CLAMP PLATE-1.50X3.50X 8.00	4
8.	60106716	CLAMP PLATE-1.50X3.50X 9.25	4
9.	60030053	ROLLER-UHMW .50 X 2.00 X 1.38 LG	4
10.	60106968	PIN	2
11.	60103202	PIN	1
12.	60106281	PIN	2
13.	60106314	PIN	4
14.	71014053	STUD-TIE DOWN 1.00X26.00	8
15.	60106380	PIPE-1.00 SCH40 X 1.25	4
16.	70392566	DECAL-AUX STAB SELECTOR	1
17.	52070138	PIN-WLDMT	2
18.	72060795	CAP SCR .50-13X 1.50 SH PLAIN	12
19.	72060102	CAP SCR .50-13X 5.50 HH GR5 Z	4
20.	72063007	WASHER .62 W FLAT ANSI B27.2Z	4
21.	72060581	SET SCR .38-16X .75 SH PLAIN	2
22.	72062107	NUT .50-13 HEX CENTER LOCK Z	4
23.	60010351	SPRING-"T" PIN	2
24.	72062141	NUT 1.00- 8 HEX LOCK STIN GR5	16
25.	72063066	WASHER 1.00 HI STR ZINC YELLOW	16
26.	72063034	MACHY BUSHING 1.00X10 GA NR	6
27.	72066125	RETAINING RING-EXT 1.00 HD	6
28.	71392277	DECAL-STAB POWER OUT	1
29.	72066178	COTTER PIN .12X1.00 PLAIN	8
30.	71392257	DECAL-STAB POWER DOWN SS	1

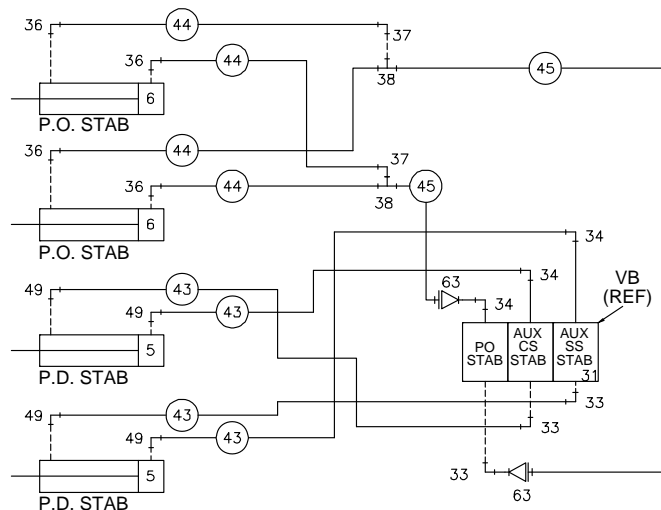
REV. 18 20051220

Stabilizer, Power Out / Power Down (31710600)

STABILIZER SPECIFICATIONS	
Typical Application	Articulated & tire handling cranes
Recommended Crane Rating	Up to 230,000 ft-lb
Span	142.25"
Housing Dimensions	6" x 8" x 3/8"
Horizontal Tube Dimensions	5" x 7" x 3/8"



DECAL PLACEMENT	
ITEM #	LOCATION
52	ONE ON EACH STABILIZER, ONE AT OR NEAR OPERATING STATION
30	AT PWR DN CONTROL HANDLES
28	AT PWR OUT CONTROL HANDLES
64	AT FULL EXTENSION



NOTES (SEE REFERENCE NUMBER IN BOX):

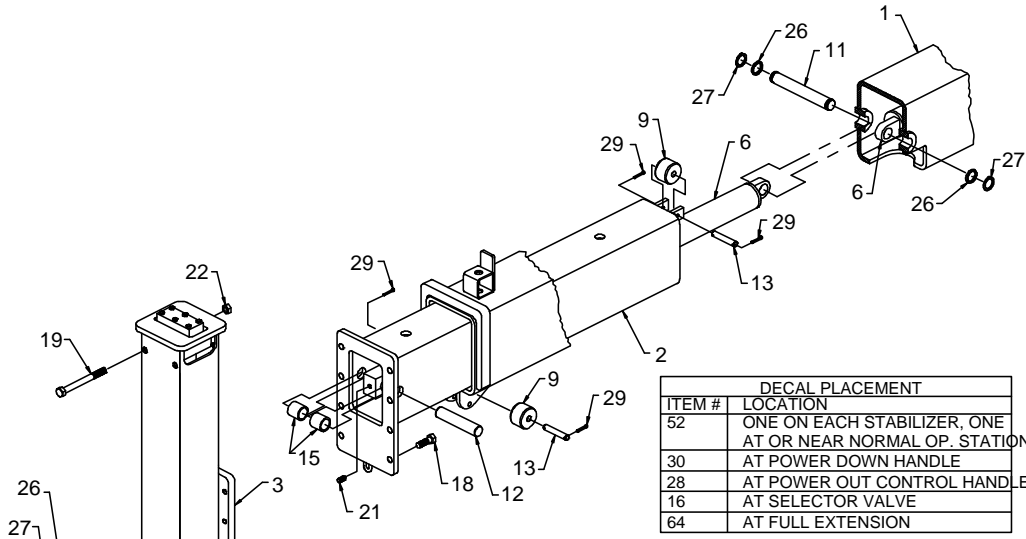
- 1 AUXILIARY STREET-SIDE STABILIZER DOES NOT GET CROSS CONTROL OR EXTRA HANDLE.
- 2 AUXILIARY POWER-DOWN CURB-SIDE STABILIZER HANDLE GETS CUT OFF AT VALVE BANK.

31710600 PARTS LIST				
ITEM	PART #	DESCRIPTION	DETAILS	QUANTITY
1.	52704109	WELDMENT - STABILIZER HOUSING		1
2.	52701065	WELDMENT-STAB ARM		2
3.	52704867	WELDMENT - STAB HOUSING		2
4.	52704868	WELDMENT - STAB LEG		2
5.	3B166820	CYLINDER	2.5/1.5 21.00S 29.56CC C	2
6.	3B210522	CYLINDER	2.0/1.2 23.75S 38.50CC C	2
7.	60010354	CLAMP PLATE	1.50X3.50X 8.00	4
8.	60106716	CLAMP PLATE	1.50X3.50X 9.25	4
9.	60030053	ROLLER-UHMW	.50 X 2.00 X 1.38 LG	4
10.	60106968	PIN	TYPE A 1.00X 5.12 (4.56)	2
11.	60103202	PIN	TYPE A 1.00X 7.12 (6.69)	1
12.	60106281	PIN	TYPE F 1.00X 4.88	2
13.	60106314	PIN	TYPE O .50X 2.75 (2.50)	4
14.	71014053	STUD-TIE DOWN	1.00X26.00	8
15.	60106380	PIPE	1.00 SCH40 X 1.25	4
16.	70392566	DECAL-AUX STAB SELECTOR		1
17.	52070138	PIN-WLDMT - T (thru .38 thickness)		2
18.	72060795	CAP SCREW	.50-13X 1.50 SH PLAIN	12
19.	72060102	CAP SCREW	.50-13X 5.50 HH GR5 Z	4
20.	72063007	WASHER	.62 W FLAT ANSI B27.2Z	4
21.	72060581	SET SCREW	.38-16X .75 SH PLAIN	2
22.	72062107	NUT	.50-13 HEX CENTER LOCK Z	4
23.	60010351	SPRING-"T" PIN		2
24.	72062141	NUT	1.00- 8 HEX LOCK STIN GR5	16
25.	72063066	WASHER	1.00 HI STR ZINC YELLOW	16
26.	72063034	MACHY BUSHING	1.00X10 GA NR	6
27.	72066125	RETAINING RING-EXT	1.00 HD	6
28.	71392277	DECAL-STAB POWER OUT		1
29.	72066178	COTTER PIN	.12X1.00 PLAIN	8
30.	71392257	DECAL-STAB POWER DOWN SS		1
31.	72066185	COTTER PIN	.16X1.00 PLAIN	2
31.	72066185	COTTER PIN	.16X1.00 PLAIN	2
33.	72532666	ELBOW	M STR/M JIC XLG 8 8	3
34.	72053763	ELBOW	M STR/90/M JIC 8 8	3
36.	72532351	ADAPTER	M STR/M JIC 4 4	4
37.	72532690	ELBOW	M JIC/F JIC SW 4 4	2
38.	72532768	TEE-MALE	JIC .44-20 .25 TUBE	2
43.	51703938	HOSE ASM-	TYPE FF .38 X 336.00	4
44.	51704022	HOSE-	FF .25 X 13.00 CL	4
45.	51708886	HOSE ASM-	TYPE FF .25 X 286.00	2

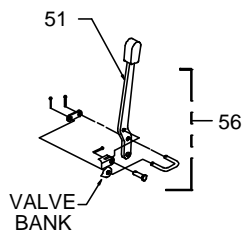
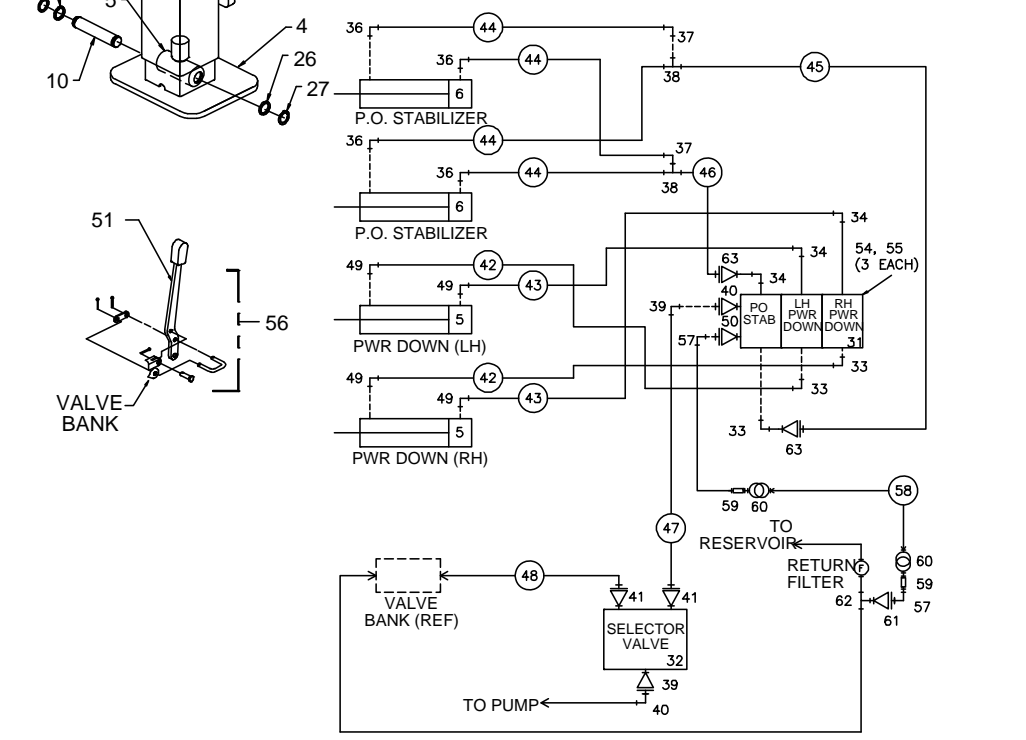
31710600 PARTS LIST				
ITEM	PART #	DESCRIPTION	DETAILS	QUANTITY
49.	72532779	ELBOW-	M STR/M JIC XLG 6 8	4
52.	70392864	DECAL-DANGER STAB STAND CLEAR		2
56.	94731839	LINK & PIN KIT		3
57.	70141983	CONTROL HANDLE-VB (SHORT)		5
59.	52702018	CONTROL ROD-MALE		2
60.	52702016	CONTROL ROD-FEMALE		2
61.	72066338	PIN-CLEVIS	.31X 1.00 ZINC	4
62.	72066168	COTTER PIN	.09X .75 ZINC	4
63.	72532665	ADAPTER	M JIC/F JIC 4 8	2
64.	70399271	DECAL-FULLY DEPLOYED		2
REV C 20120306				

Stabilizer, Power Out/ Power Down (31711350)

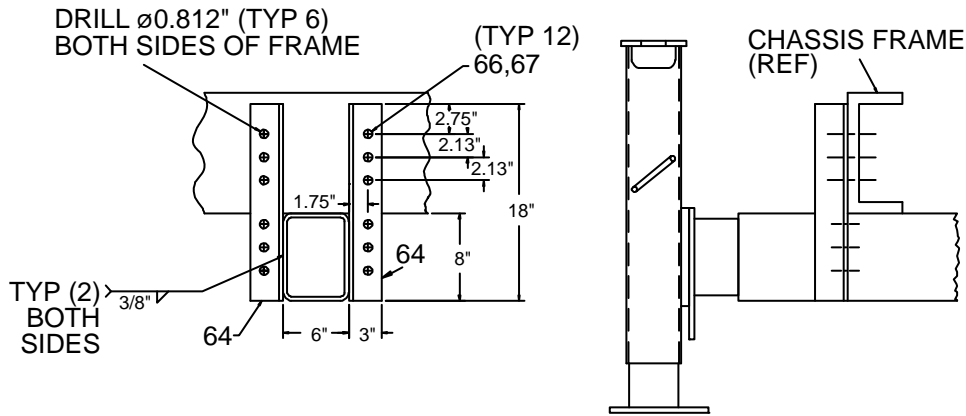
STABILIZER SPECIFICATIONS	
Typical Application	Telescopic & IMT specialty cranes
Recommended Crane Rating	Up to 200,000 ft-lb
Span	142.25"
Housing Dimensions	6" x 8" x 3/8"
Horizontal Tube Dimensions	5" x 7" x 3/8"



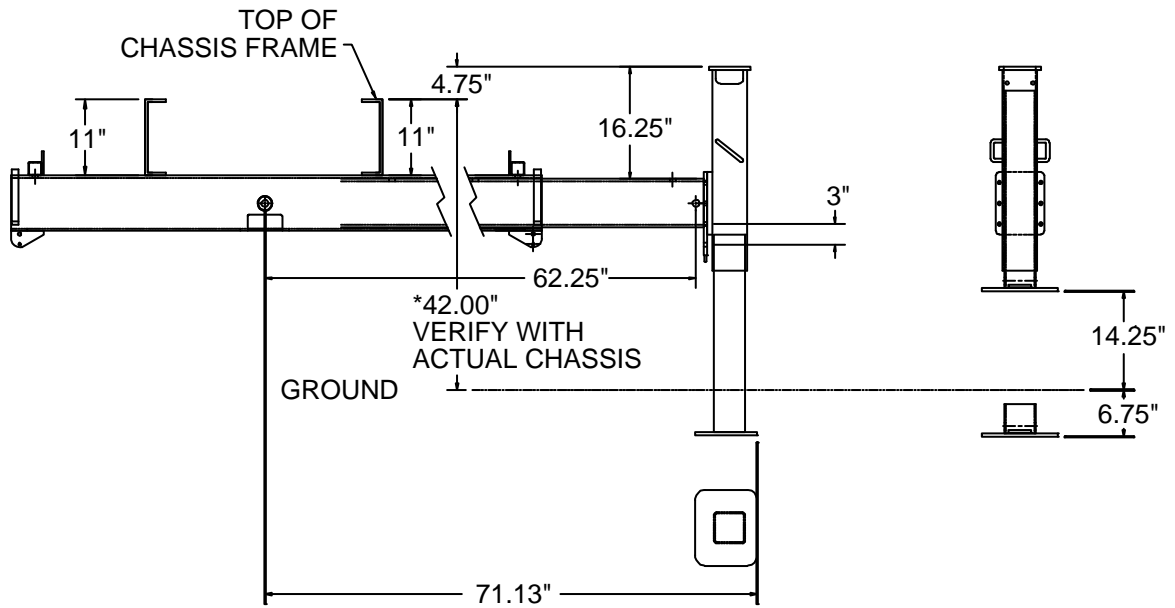
DECAL PLACEMENT	
ITEM #	LOCATION
52	ONE ON EACH STABILIZER, ONE AT OR NEAR NORMAL OP. STATION
30	AT POWER DOWN HANDLE
28	AT POWER OUT CONTROL HANDLE
16	AT SELECTOR VALVE
64	AT FULL EXTENSION



CHASSIS FRAME MOUNT



DEPLOYED STABILIZER HEIGHT



NOTE:

- 1 POWER OUT TRAVEL = 23.75"
- 2 POWER DOWN TRAVEL = 21.00"
- 3 DISTANCE FROM THE TOP OF THE CHASSIS FRAME TO THE BOTTOM OF THE STABILIZER PAD IS 12" TO 15" BASED ON WHICH SET OF MOUNTING HOLES ARE USED.

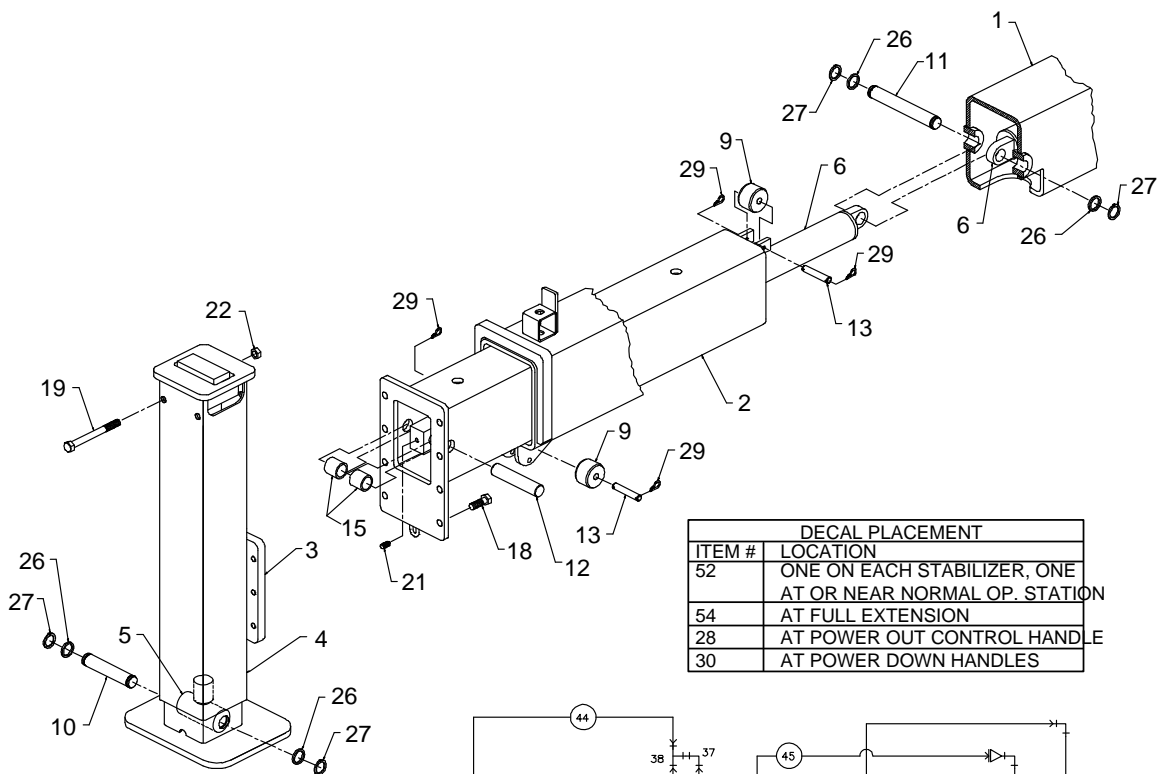
31711350 PARTS LIST				
ITEM	PART #	DESCRIPTION	DETAILS	QUANTITY
1.	52704109	WELDMENT, STABILIZER HOUSING		1
2.	52701065	WELDMENT, STABILIZER ARM		2
3.	52710122	WELDMENT, STABILIZER HOUSING		2

31711350 PARTS LIST				
ITEM	PART #	DESCRIPTION	DETAILS	QUANTITY
4.	52704868	WELDMENT, STABILIZER LEG		2
5.	3B166820	CYLINDER	2.5/1.5 21.00SS 29.56CC	2
6.	3B210522	CYLINDER	2.1/1.2 23.75S 38.50CC	2
9.	60030053	ROLLER-UHMW	.50X2.00X1.38 LG	4
10.	60106968	PIN	TYPE A 1.00 X 5.12	2
11.	60103202	PIN	TYPE A 1.00 X 7.12	1
12.	60106281	PIN	TYPE F 1.00 X 4.88	2
13.	60106314	PIN	TYPE O 0.50 X 2.75	4
15.	60106380	PIPE	1.00 SCH40 X 1.25	4
18.	72060795	CAP SCREW	.50-13 X 1.50 SH PLAIN	12
19.	72060102	CAP SCREW	.50-13 X 5.5 HH GR5Z	4
21.	72060581	SET SCREW	.38-16 X .75 SH PLAIN	2
22.	72062107	NUT	.50-13 HEX CENTER LOCK Z	4
26.	72063034	BUSHING-MACHY	1 X 10 GA	6
27.	72066125	RETAINING RING-EXT	1.00 HD	6
28.	71392277	DECAL-STABILIZER POWER OUT	NOT SHOWN	1
29.	72066178	COTTER PIN	.12 X 1.00 PLAIN	8
30.	71392257	DECAL-STABILIZER POWER DOWN SS	NOT SHOWN, CUT IN HALF	1
31.	51703619	VALVEBANK	3 SECTION AUX POWER OUT	1
32.	73054420	VALVE-SELECTOR	2 POSITION, 24 GPM	1
33.	72532666	ELBOW	MSTR/90/MJIC XLG 8 8	3
34.	72053763	ELBOW	MSTR/90/MJIC 8 8	3
36.	72532351	ADAPTER	MSTR/MJIC 4 4	4
37.	72532690	ELBOW	MJIC/90/FJIC SW 4 4	2
38.	72532768	TEE-MALE	JIC .44-20 .25 TUBE	2
39.	72532669	ADAPTER	MJIC/FJIC 8 10	2
40.	72532668	ELBOW	MSTR/90/MJIC 12 10	2
41.	72532360	ADAPTER	MSTR/MJIC 12 8	2
42.	51703032	HOSE	FF .38 X 69 (8-8) 100R2	2
43.	51703253	HOSE	FF .38 X 111 (8-8) 100R2	2
44.	51704022	HOSE	FF .25 X 13 (4-4) 100R2	4
45.	51703591	HOSE	FF .25 X 23 (4-4) 100R2	1
46.	51703590	HOSE	FF .25 X 26 (4-4) 100R2	1
47.	51703931	HOSE	FF .50 X 315 (8-8) 100R2	1
48.	51703347	HOSE	FF .50 X 23 (8-8) 100R2	1
49.	72532779	ELBOW	MSTR/90/MJIC XLG 6 8	4
50.	72053747	ADAPTER	MSTR/FPT 12 .75	1
51.	73014848	HANDLE-VALVE		3
52.	70392864	DECAL-WARNING STAB STAND CLEAR		3
54.	72062109	NUT	.31-18 HEX NYLOC ZINC	3
55.	72060033	CAP SCREW	.31-18 X 3 HHGR5Z	3
56.	94731839	LINK & PIN KIT		3
57.	72053556	ELBOW-STREET STEEL	.75 X 90 DEG	2
58.	60035170	HOSE	.75 ORTAC X 240	1

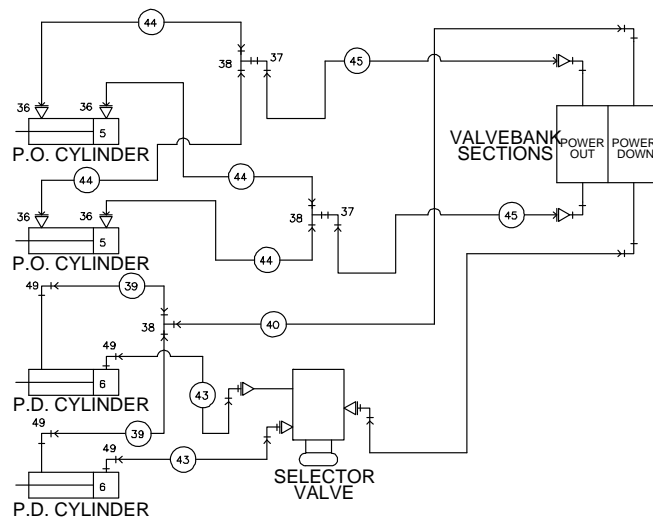
31711350 PARTS LIST				
ITEM	PART #	DESCRIPTION	DETAILS	QUANTITY
59.	72531548	NIPPLE-BARB STL	.75 MPT .75	2
60.	72066000	CLAMP-HOSE	.50-1.25 SAE #12	2
61.	72531836	REDUCER BUSH-STL	1.25-.75	1
62.	72531994	TEE-STREET STL	1.25	1
63.	72532665	ADAPTER	MJIC/FJIC 4 8	2
64.	70399271	DECAL-FULLY DEPLOYED		2
REV B 20120307				

Stabilizer, Power Out/Power Down (31712397)

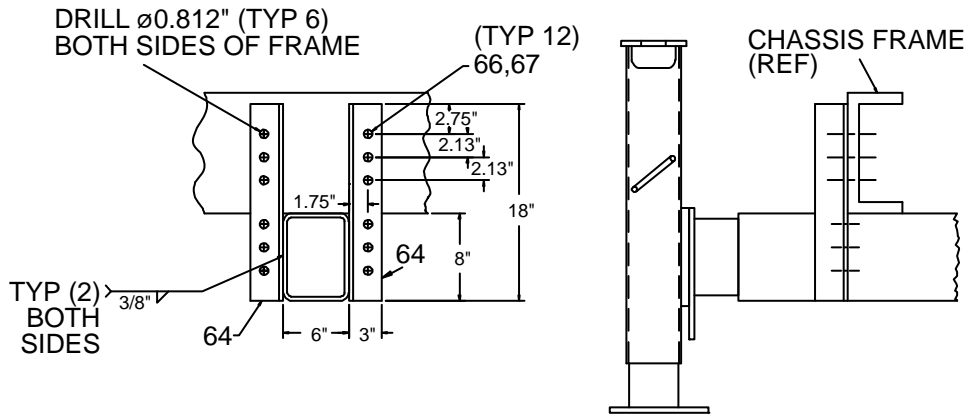
STABILIZER SPECIFICATIONS	
Typical Application	Articulated & tire handling cranes
Recommended Crane Rating	Up to 200,000 ft-lb
Span	142.25"
Housing Dimensions	6" x 8" x 3/8"
Horizontal Tube Dimensions	5" x 7" x 3/8"



DECAL PLACEMENT	
ITEM #	LOCATION
52	ONE ON EACH STABILIZER, ONE AT OR NEAR NORMAL OP. STATION
54	AT FULL EXTENSION
28	AT POWER OUT CONTROL HANDLE
30	AT POWER DOWN HANDLES



CHASSIS FRAME MOUNT



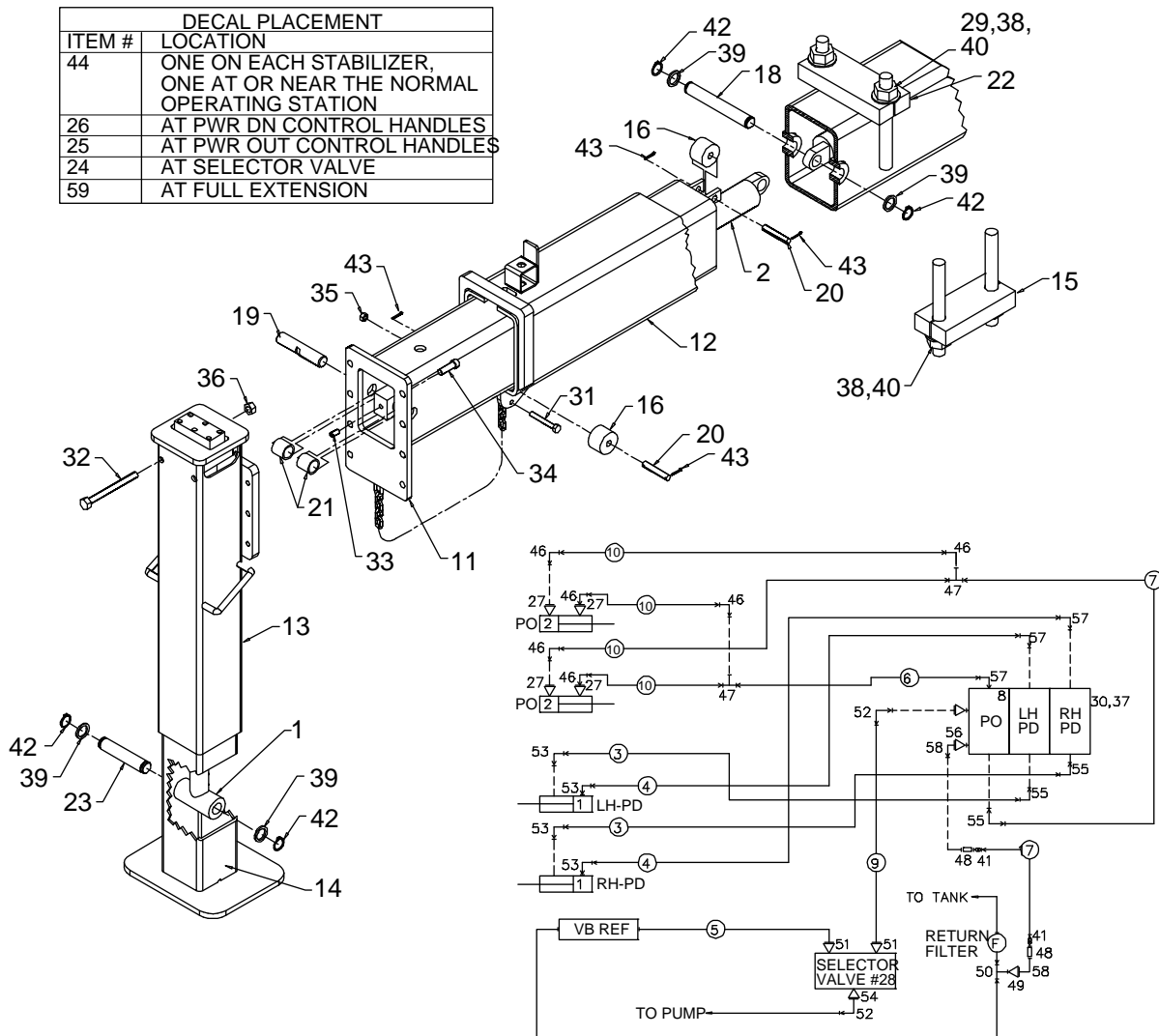
31712397 PARTS LIST				
ITEM	PART #	DESCRIPTION	DETAILS	QUANTITY
1.	52704109	WELDMENT, STABILIZER HOUSING		1
2.	52701065	WELDMENT, STABILIZER ARM		2
3.	52710122	WELDMENT, STABILIZER HOUSING		2
4.	52704868	WELDMENT, STABILIZER LEG		2
5.	3B166820	CYLINDER	2.5/1.5 21.00SS 29.56CC	2
6.	3B210522	CYLINDER	2.1/1.2 23.75S 38.50CC	2
9.	60030053	ROLLER-UHMW	.50X2.00X1.38 LG	4
10.	60106968	PIN	TYPE A 1.00 X 5.12	2
11.	60103202	PIN	TYPE A 1.00 X 7.12	1
12.	60106281	PIN	TYPE F 1.00 X 4.88	2
13.	60106314	PIN	TYPE O 0.50 X 2.75	4
15.	60106380	PIPE	1.00 SCH40 X 1.25	4
18.	72060795	CAP SCREW	.50-13 X 1.50 SH PLAIN	12
19.	72060102	CAP SCREW	.50-13 X 5.5 HH GR5Z	4
21.	72060581	SET SCREW	.38-16 X .75 SH PLAIN	2
22.	72062107	NUT	.50-13 HEX CENTER LOCK Z	4
26.	72063034	BUSHING-MACHY	1 X 10 GA	6
27.	72066125	RETAINING RING-EXT	1.00 HD	6
28.	71392277	DECAL-STABILIZER POWER OUT	NOT SHOWN	1
29.	72066178	COTTER PIN	.12 X 1.00 PLAIN	8
30.	71392257	DECAL-STABILIZER POWER DOWN SS	NOT SHOWN, CUT IN HALF	1
36.	72532351	ADAPTER	MSTR/MJIC 4 4	4
37.	72532690	ELBOW	MJIC/90/FJIC SW 4 4	2
38.	72532768	TEE-MALE	JIC .44-20 .25 TUBE	2
39.	51703602	HOSE ASSEMBLY	FF .38 X 96	2
40.	51703608	HOSE ASSEMBLY	FF .38 X 270	1
43.	51710588	HOSE ASSEMBLY	.38 X 363	2
44.	51704022	HOSE ASSEMBLY	FF .25 X 13 (4-4) 100R2	4

31712397 PARTS LIST				
ITEM	PART #	DESCRIPTION	DETAILS	QUANTITY
45.	51708886	HOSE ASSEMBLY	.25 X 286	2
49.	72532779	ELBOW	MSTR/90/MJIC XLG 6 8	4
52.	70392864	DECAL-WARNING STAB STAND CLEAR		3
54.	70399271	DECAL-FULLY DEPLOYED		2
64.	60114701	ANGLE-STABILIZER MOUNTING RH		4
66.	72060186	CAP SCREW	.75-10 X 2.50	12
67.	72062114	NUT	.75-10 SELF LOCKING	12
REV H 20120307				

Stabilizer, Power Out/Power Down High-Frame (31705728)

STABILIZER SPECIFICATIONS	
Typical Application	Articulated cranes
Recommended Crane Rating	Up to 235,000 ft-lb
Span	142.25"
Housing Dimensions	6" x 8" x 3/8"
Horizontal Tube Dimensions	5" x 7" x 3/8"

DECAL PLACEMENT	
ITEM #	LOCATION
44	ONE ON EACH STABILIZER, ONE AT OR NEAR THE NORMAL OPERATING STATION
26	AT PWR DN CONTROL HANDLES
25	AT PWR OUT CONTROL HANDLES
24	AT SELECTOR VALVE
59	AT FULL EXTENSION



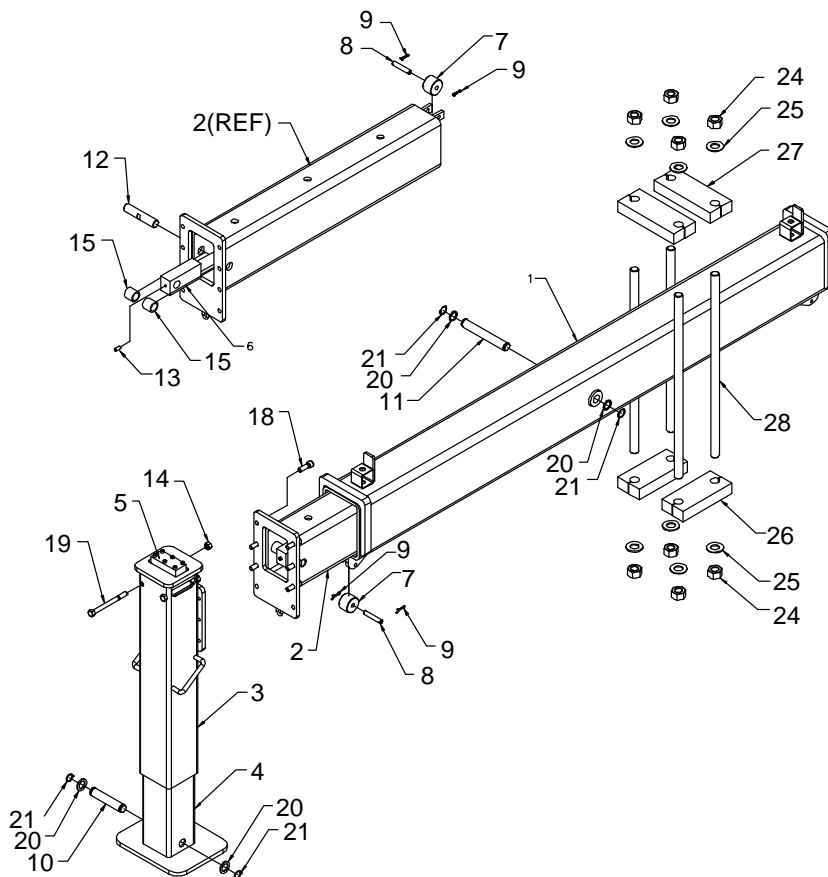
31705728 PARTS LIST				
ITEM	PART #	DESCRIPTION	DETAILS	QUANTITY
1.	3B166820	CYLINDER	2.5/1.5 21.00 S 29.56CC S	2
2.	3B210522	CYLINDER	2.0/1.2 23.75S 38.5CC	2
3.	51703032	HOSE	FF .38 X 69 (8-8) 100R2	2

31705728 PARTS LIST				
ITEM	PART #	DESCRIPTION	DETAILS	QUANTITY
4.	51703253	HOSE	FF .38 X 111 (8-8) 100R2	2
5.	51703347	HOSE	FF .50 X 23 (8-8) 100R2	1
6.	51703590	HOSE	FF .25 X 26 (4-4) 100R2	1
7.	51703591	HOSE	FF .25 X 23 (4-4) 100R2	1
8.	51716107	VALVEBANK ASSEMBLY	3 SECTION V20 AUX PWR OUT	1
9.	51703931	HOSE	FF .50 X 315 (8-8) 100R2	1
10.	51704022	HOSE	FF .25 X 13 (4-4) 100R2	4
11.	52701065	WELDMENT, STAB ARM		2
12.	52704109	WELDMENT, STAB HOUSING		1
13.	52704867	WELDMENT, STAB HOUSING		2
14.	52705730	WELDMENT, STABILIZER LEG		2
15.	60010354	CLAMP PLATE	1.5 X 3.5 X 8	4
16.	60030053	ROLLER	UHMW .5 X 2.00 X 1.38 LG	4
17.	60035170	HOSE	.75 ORTAC X 240	1
18.	60103202	PIN	TYPE 1 1.00 X 7.12	1
19.	60106281	PIN	TYPE F 1.00 X 4.88	2
20.	60106314	PIN	TYPE O 0.50 X 2.75	4
21.	60106380	PIPE	1.00 SCH40 X 1.25	4
22.	60106716	CLAMP PLATE	1.50 X 3.8 X 9.25	4
23.	60106968	PIN	TYPE A 1.00 X 5.12	2
24.	70392566	DECAL-AUX STAB	NOT SHOWN	1
25.	71392277	DECAL-POWER DOWN	NOT SHOWN	1
26.	71392257	DECAL-POWER DOWN SS	NOT SHOWN	1
27.	72532351	ADAPTER	M STR/M JIC .44. X .44	4
28.	73054420	VALVE-SELECTOR	2 POS 24 GPM 12	1
29.	71014053	STUD-TIE DOWN	1.00 X 26.00	8
30.	72060033	CAP SCREW	.31 - 18 X 3.00 HHGR5Z	3
31.	72060052	CAP SCREW	.38 - 16 X 2.75 HHGR5Z	2
32.	72060102	CAP SCREW	.50 - 13 X 5.5 HHGR5Z	4
33.	72060581	SET SCREW	.38-16 X .75 SH PLAIN	2
34.	72060795	CAP SCREW	.50 - 13 X 1.50 SH PLAIN	12
35.	72062103	NUT	.38-16 HEX NYLOC ZINC	2
36.	72062107	NUT	.50-13 HEX CENTER LOCK Z	4
37.	72062109	NUT	.31-18 HEX NYLOC ZINC	3
38.	72062141	NUT	1.00-8 HEX LOCK SINGER GR5	16
39.	72063034	MACHY BUSHING	1.00 X 10 GA NR	6
40.	72063066	WASHER	1.00 HI STRENGTH ZINC YELLOW	16
41.	72066000	CLAMP-HOSE	.50 - 125 SAE 12	2
42.	72066125	RETAINER RING-EXT	1.00 HD	6
43.	72066178	COTTER PIN	.12 X 1.00 PLAIN	8
44.	70392864	DECAL-WARNING STAB STAND CLEAR	NOT SHOWN	3
46.	72532690	ELBOW	M JIC/F JIC SW 4 4	6
47.	72532768	TEE-MALE	JIC .44-20 .25 TUBE	2
48.	72531548	NIPPLE-BARB STL	.75 MPT .75	2
49.	72531836	REDUCER BUSHING	STL 1.25-.75	1
50.	72531994	TEE-STREET STL	1.25	1
51.	72532360	ADAPTER	M STR/M JIC 12 8	2
52.	72532668	ELBOW	M STR/90/M JIC 12 10	2

31705728 PARTS LIST				
ITEM	PART #	DESCRIPTION	DETAILS	QUANTITY
53.	72532779	ELBOW	M STR/M JIC XLG 6 8	4
54.	72532669	ADAPTER	M JIC/F JIC 8 10	1
55.	72532666	ELBOW	MSTR/MJIC XLG 8 8 (PART OF 8)	3REF
56.	72053747	ADAPTER	M STR/FPT 12 .75	1
57.	72053763	ELBOW	M STR/90/M JIC 8 8 (PART OF 8)	3REF
58.	72053556	ELBOW	STREET STL .75 X 90 DEC (PART OF 8)	2REF
59.	70399271	DECAL-FULLY DEPLOYED		2
REV C 20120306				

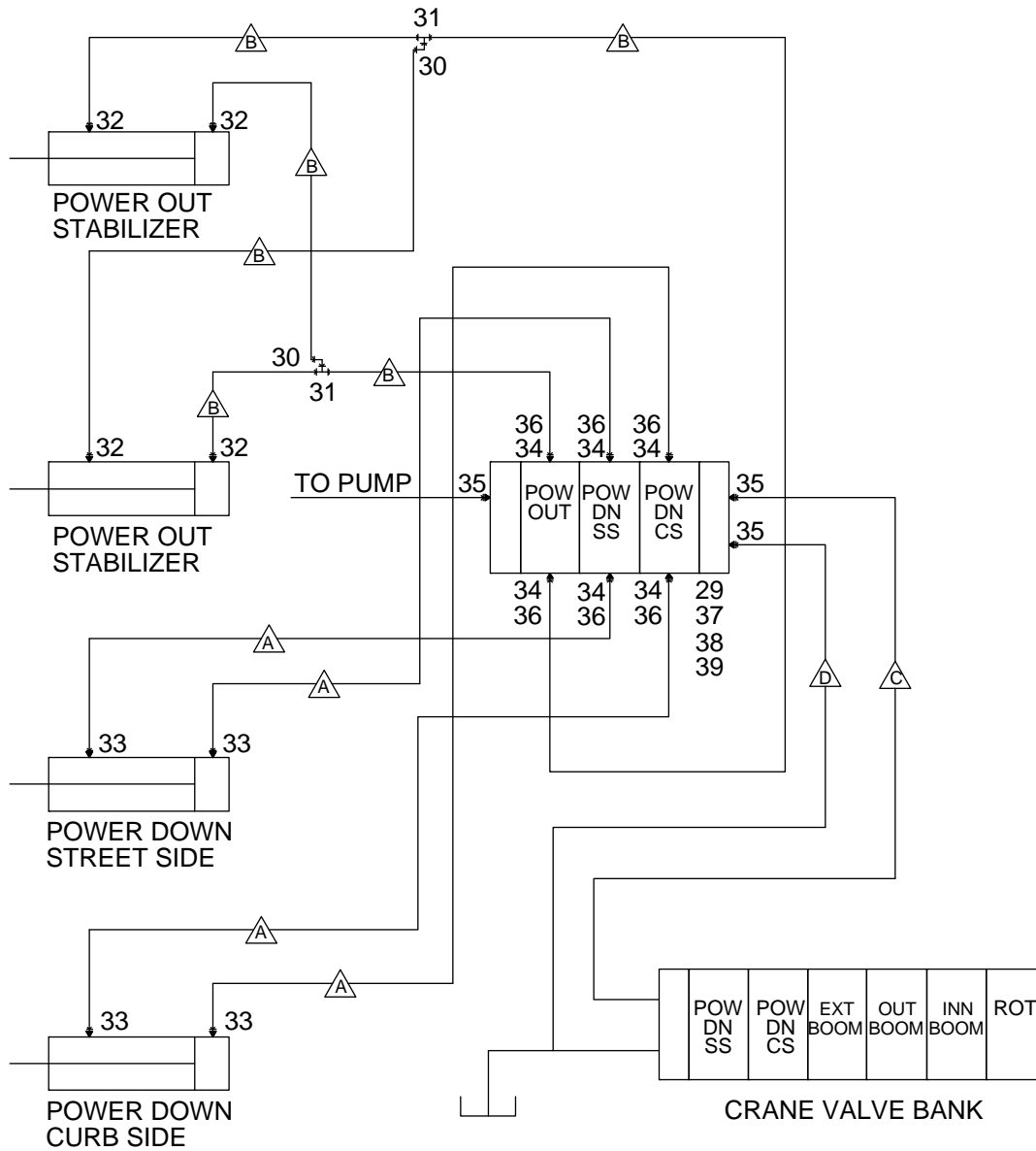
Stabilizer, Power Out/Power Down Behind Cab for Rear Mount Crane (91719335 / 99903685)

STABILIZER SPECIFICATIONS	
Typical Application	Material handling cranes
Recommended Crane Rating	Up to 160,000 ft-lb
Span	142.25"
Housing Dimensions	6" x 8" x 3/8"
Horizontal Tube Dimensions	5" x 7" x 3/8"



NOTES - Decal placement for items which aren't shown:

- 1 Items 16.17 - Place on each side of stabilizer legs
- 2 Item 22 - Place at power out control handle
- 3 Item 23 - Place at power down control handle



NOTES:

- 1 THE HYDRAULIC HOSES AND HOSE ROUTINGS ARE THE RESPONSIBILITY OF THE INSTALLER. FOLLOW THE GUIDELINES BELOW FOR SPECIFICATIONS ON HOSE SIZES AND PSI REQUIREMENTS.
- 2 A - HYDRAULIC HOSE SIZE - 3/8" WITH MINIMUM 2500 PSI RATING
- 3 B - HYDRAULIC HOSE SIZE - 1/4" WITH MINIMUM 2500 PSI RATING
- 4 C - HYDRAULIC HOSE SIZE - 3/4" WITH MINIMUM 4700 PSI RATING
- 5 D - HYDRAULIC HOSE SIZE - 3/4" WITH MINIMUM 200 PSI RATING

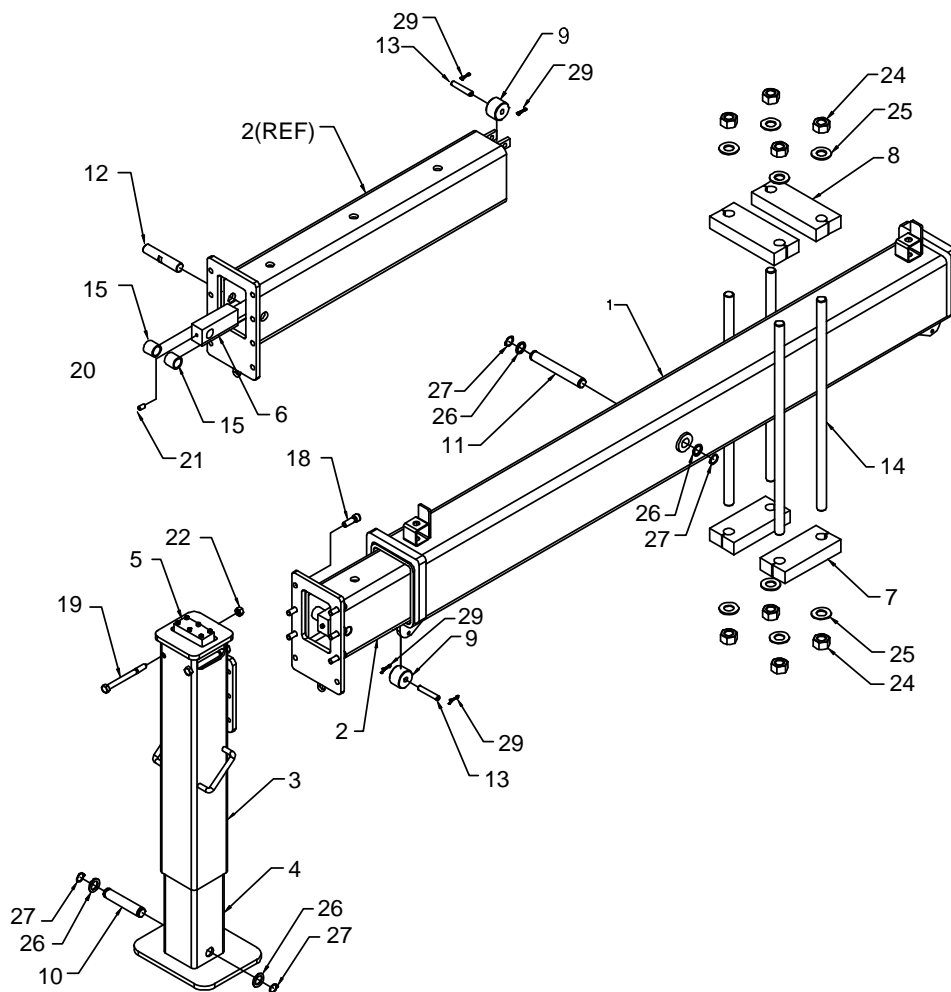
91719335 PARTS LIST			
ITEM	PART #	DESCRIPTION	QUANTITY
1.	52704109	STAB HOUSING WELDMENT	1
2.	52701065	STAB ARM WELDMENT	2
3.	52704867	STAB HOUSING WELDMENT 525/725	2

91719335 PARTS LIST			
ITEM	PART #	DESCRIPTION	QUANTITY
4.	52704868	STAB LEG WELDMENT 525/725	2
5.	3B166820	CYLINDER-2.5/1.5	2
6.	3B210522	CYLINDER-2.0/1.2	2
7.	60030053	ROLLER	4
8.	60106314	PIN	4
9.	72066178	COTTER PIN	8
10.	60106968	PIN-A 1X5-1/8	2
11.	60103202	PIN-A 1.0 X 7-1/8	1
12.	60106281	PIN-F 1.0 X 4-7/8	2
13.	72060581	SET SCREW 3/8-16X3/4 SH PL	2
14.	72062107	NUT 1/2-13 HEX CENTER LOCK	4
15.	60106380	PIPE-1.00 SCH 40 X 1-1/4	4
16.	70392864	DECAL-DANGER STAB	2
17.	70392867	DECAL-DANGER STAB MOV	2
18.	72060795	CAP SCREW 1/2-13X 1.5 SH PLN	12
19.	72060102	CAP SCREW 1/2-13 X 5.5 HH GR5Z	4
20.	72063034	MACHY BUSHING	6
21.	72066125	RETAINING RING, EXT 1" HD	6
22.	71392277	DECAL-STAB POWER OUT	1
23.	71392257	DECAL-STAB POWER DOWN SS	1
24.	72062141	NUT 1-8 HEX LOCK STIN GR5	16
25.	72063066	WASHER 1.00 HI-STR	16
26.	60010354	CLAMP PLATE	4
27.	60106716	CLAMP PLATE	4
28.	71014053	STUD, TIE DOWN 1X26	8
29.	73733979	VALVEBANK - 3 SEC	1
30.	72532690	ELBOW #4MJIC #4FJIC SW	2
31.	72532768	TEE-MALE JIC .44-20 1/4 TUBE	2
32.	72532351	ADPTR-#4MSTR #4MJIC	4
33.	72532799	ELBOW #6MSTR #8MJIC XLG	4
34.	72534415	ELBOW #12 MBSPPSTR #8MJIC 90°	6
35.	72532366	ADPTR #12MSTR #12MJIC	3
36.	72532790	ADPTR #6MJIC #8FJIC	6
37.	72060056	CAP SCREW 3/8-16X4 HHGR5Z	3
38.	72062103	NUT 1/4-20 HEX NYLOC	3
39.	72063003	WASHER 3/8 FLAT	6
20120906			

Stabilizer, Power Out/Power Down Above Frame Mount (No Hydraulics) (90719002 / 99903652)

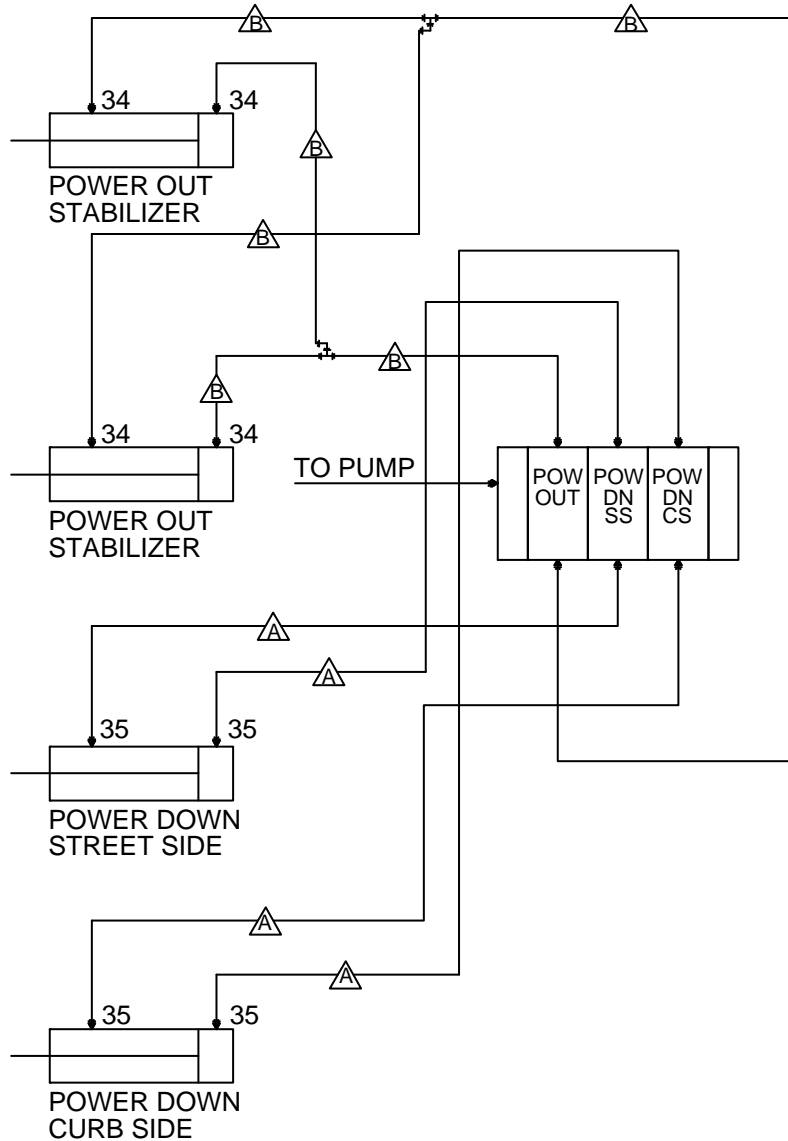
This stabilizer assembly uses the crane hydraulics. For stand-alone hydraulics, see 91719335.

STABILIZER SPECIFICATIONS	
Typical Application	Material handling cranes
Recommended Crane Rating	Up to 160,000 ft-lb
Span	142.25"
Housing Dimensions	6" x 8" x 3/8"
Horizontal Tube Dimensions	5" x 7" x 3/8"



NOTES - Decal placement for items which aren't shown:

- 1 Items 16 - Place on each side of stabilizer legs
- 2 Item 22 - Place at power out control handle
- 3 Item 23 - Place at power down control handle



NOTES:

- 1 THE HYDRAULIC HOSES AND HOSE ROUTINGS ARE THE RESPONSIBILITY OF THE INSTALLER. FOLLOW THE GUIDELINES BELOW FOR SPECIFICATIONS ON HOSE SIZES AND PSI REQUIREMENTS.
- 2 A - HYDRAULIC HOSE SIZE - 3/8" WITH MINIMUM 2500 PSI RATING
- 3 B - HYDRAULIC HOSE SIZE - 1/4" WITH MINIMUM 2500 PSI RATING

90719002 PARTS LIST			
ITEM	PART #	DESCRIPTION	QUANTITY
1.	52704109	STAB HOUSING WELDMENT	1
2.	52701065	STAB ARM WELDMENT	2
3.	52704867	STAB HOUSING WELDMENT 525/725	2

90719002 PARTS LIST			
ITEM	PART #	DESCRIPTION	QUANTITY
4.	52704868	STAB LEG WELDMENT 525/725	2
5.	3B166820	CYLINDER-2.5/1.5	2
6.	3B210522	CYLINDER-2.0/1.2	2
7.	60010354	CLAMP PLATE-1.5 X 3.5 X 8	4
8.	60106716	CLAMP PLATE-1.5 X 3.5 X 9.25	4
9.	60030063	ROLLER	4
10.	60106968	PIN-A 1X5-1/8	2
11.	60103202	PIN-A 1.0 X 7-1/8	1
12.	60106281	PIN-F 1.0 X 4-7/8	2
13.	60106314	PIN	4
14.	71014053	STUD-TIE DOWN 1 X 26	8
15.	60106380	PIPE-1.00 SCH 40 X 1-1/4	4
16.	70392864	DECAL-DANGER STAB	2
18.	72060795	CAP SCREW 1/2-13X 1.5 SH PLN	12
19.	72060102	CAP SCREW 1/2-13 X 5.5 HH GR5Z	4
21.	72060581	SET SCREW 3/8-16 X 3/4 SH PLAIN	2
22.	72062107	NUT .50-13 HEX CENTER LOCK	4
24.	72062141	NUT 1.00-8 HEX LOCK STINGER	16
25.	72063066	WASHER 1.00 HI-STR	16
26.	72063034	MACHINERY BUSHING 1.00 X 10 GA NR	6
27.	72066125	RETAINING RING-EXT	6
28.	71392277	DECAL-STAB POWER OUT	1
29.	72066178	COTTER PIN .12 X 1.00 PLAIN	8
30.	71392257	DECAL-STAB POWER DOWN SS	1
34.	72532351	ADAPTER-#4MSTR #4MJIC	4
35.	72532799	ELBOW #6MSTR #8MJIC XLG	4
20120906			

Stabilizer, Power Out/Power Down Rear Mount for Behind Cab Crane (91719336 / 99903686)

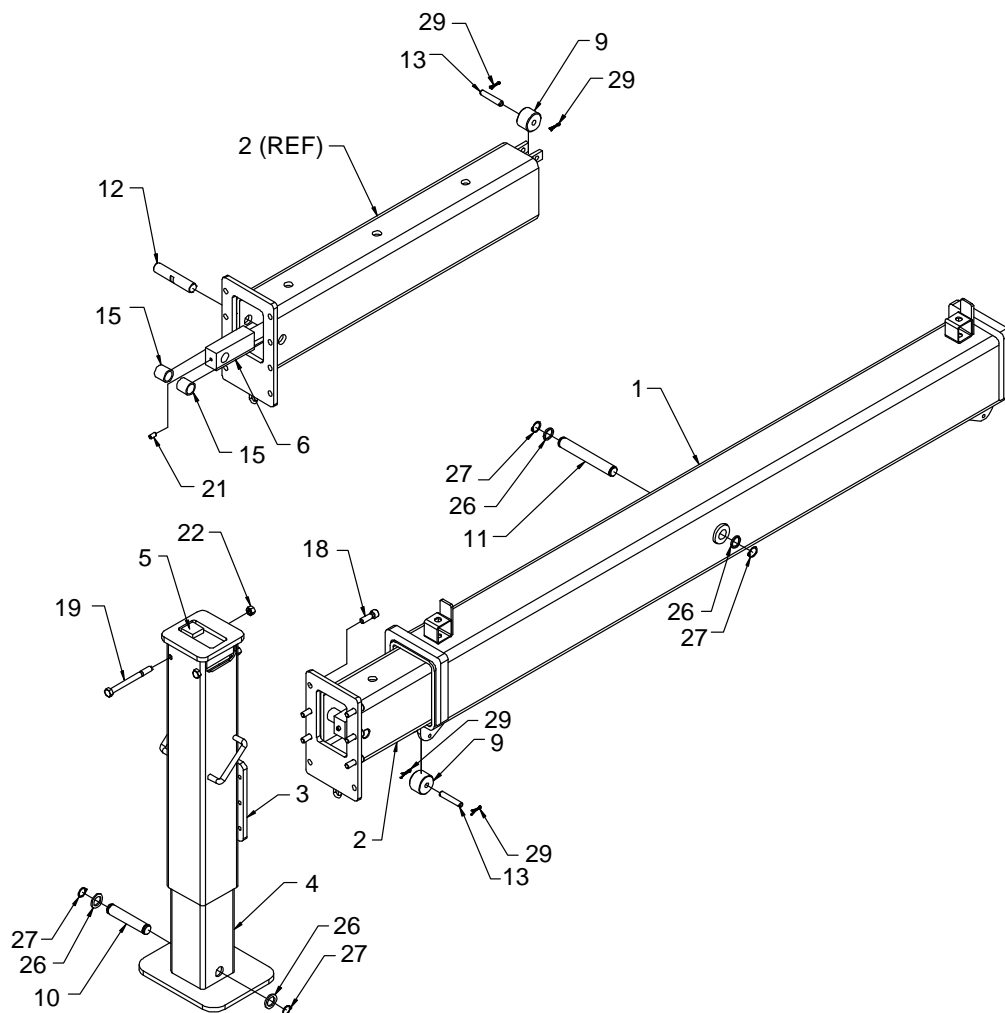
The 91719336 rear mount stabilizer kit is the same as the 91719335 behind-cab mount with minor hardware differences due to the mounting. The 91719336 kit is not recommended for behind-cab installations due to possible driver shaft interference. Mount stabilizers behind the spring shackle location.

STABILIZER SPECIFICATIONS	
Typical Application	Material handling cranes
Recommended Crane Rating	Up to 160,000 ft-lb
Span	142.25"
Housing Dimensions	6" x 8" x 3/8"
Horizontal Tube Dimensions	5" x 7" x 3/8"

Stabilizer, Power Out/Power Down Below Frame Mount (No Hydraulics) (90719001 / 99903653)

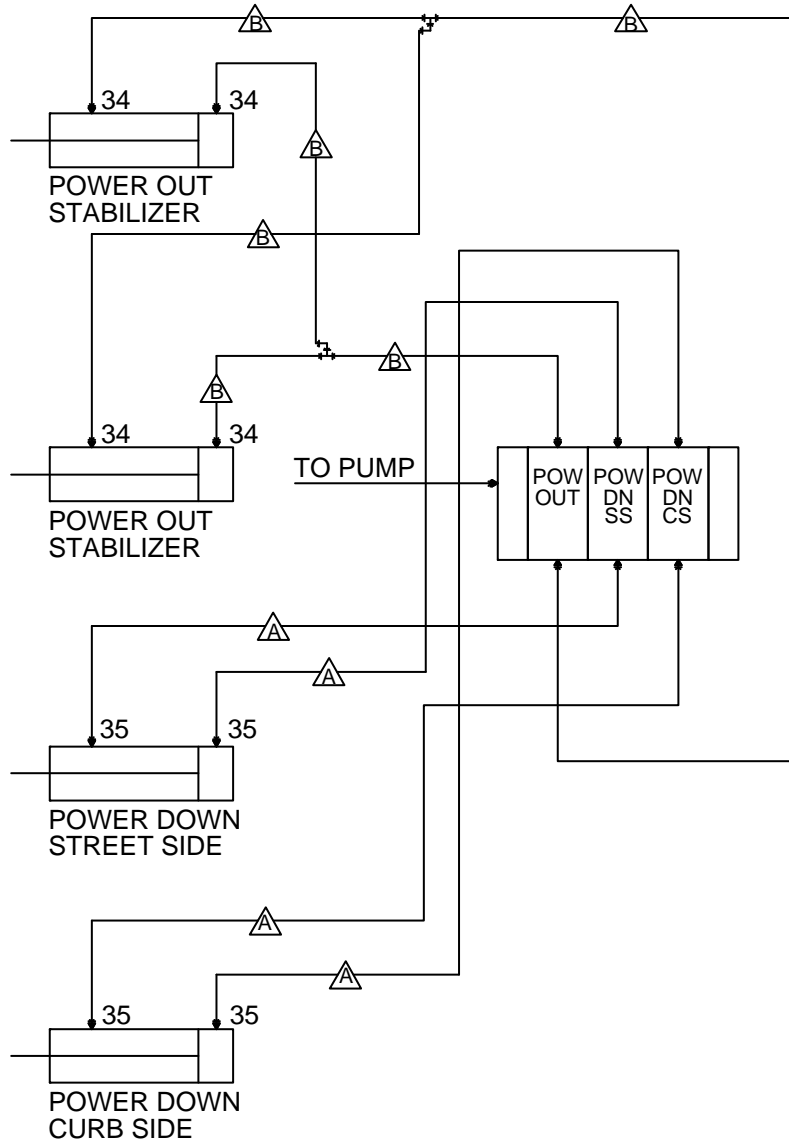
This stabilizer assembly uses the crane hydraulics. For stand-alone hydraulics, see 91719336.

STABILIZER SPECIFICATIONS	
Typical Application	Material handling cranes
Recommended Crane Rating	Up to 160,000 ft-lb
Span	142.25"
Housing Dimensions	6" x 8" x 3/8"
Horizontal Tube Dimensions	5" x 7" x 3/8"

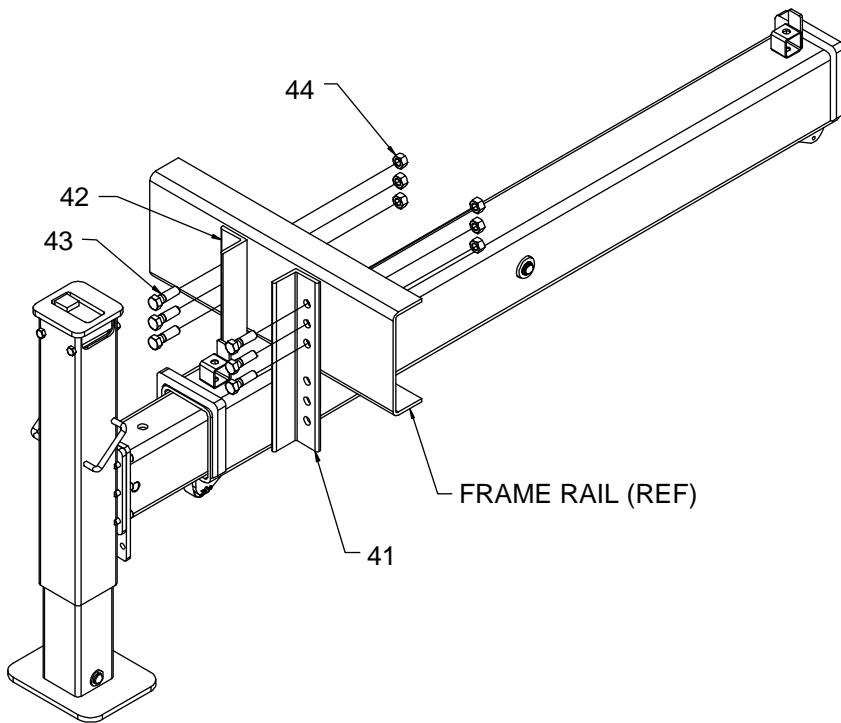
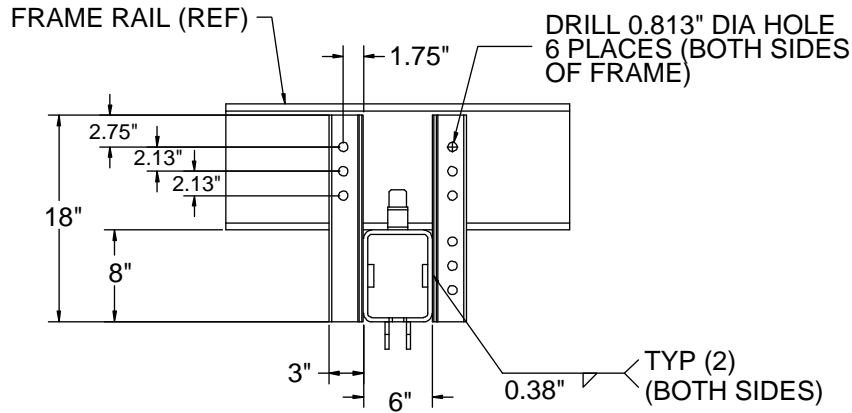


NOTES - Decal placement for items which aren't shown:

- 1 Items 16 - Place on each side of stabilizer legs
- 2 Item 28 - Place at power out control handle
- 3 Item 30 - Place at power down control handle

**NOTES:**

- 1 THE HYDRAULIC HOSES AND HOSE ROUTINGS ARE THE RESPONSIBILITY OF THE INSTALLER. FOLLOW THE GUIDELINES BELOW FOR SPECIFICATIONS ON HOSE SIZES AND PSI REQUIREMENTS.
- 2 A - HYDRAULIC HOSE SIZE - 3/8" WITH MINIMUM 2500 PSI RATING
- 3 B - HYDRAULIC HOSE SIZE - 1/4" WITH MINIMUM 2500 PSI RATING

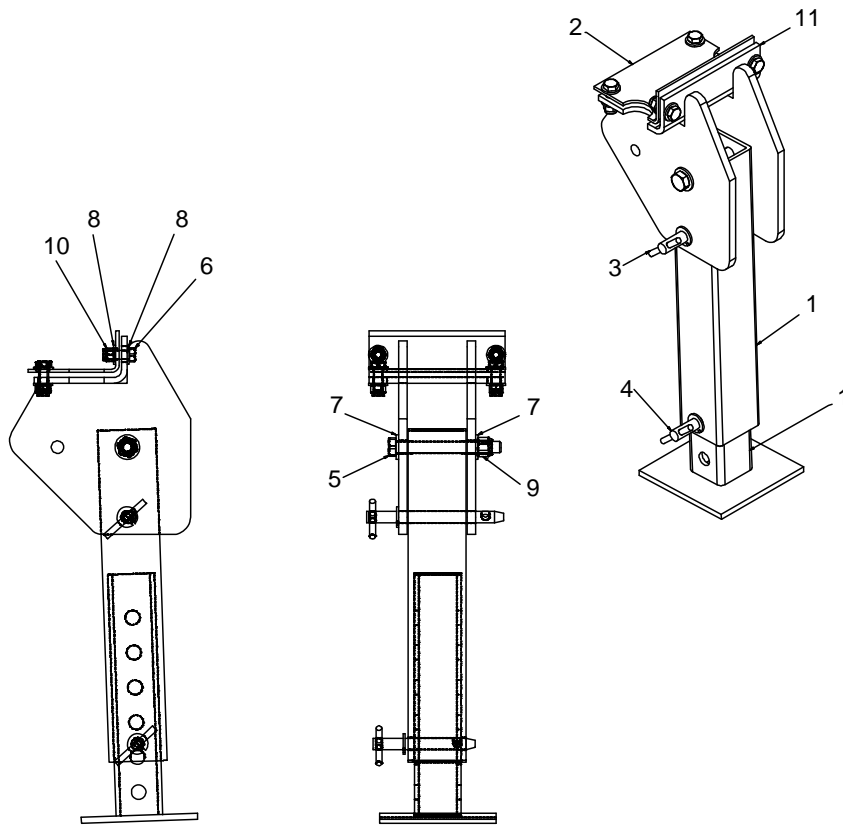


90719002 PARTS LIST			
ITEM	PART #	DESCRIPTION	QUANTITY
1.	52704109	STAB HOUSING WELDMENT	1
2.	52701065	STAB ARM WELDMENT	2
3.	52710122	STAB HOUSING WELDMENT	2
4.	52704868	STAB LEG WELDMENT 525/725	2
5.	3B166820	CYLINDER-2.5/1.5	2
6.	3B210522	CYLINDER-2.0/1.2	2
9.	60030063	ROLLER	4
10.	60106968	PIN-A 1X5-1/8	2
11.	60103202	PIN-A 1.0 X 7-1/8	1
12.	60106281	PIN-F 1.0 X 4-7/8	2
13.	60106314	PIN	4
15.	60106380	PIPE-1.00 SCH 40 X 1-1/4	4

90719002 PARTS LIST			
ITEM	PART #	DESCRIPTION	QUANTITY
16.	70392864	DECAL-DANGER STAB	2
18.	72060795	CAP SCREW 1/2-13X 1.5 SH PLN	12
19.	72060102	CAP SCREW 1/2-13 X 5.5 HH GR5Z	4
21.	72060581	SET SCREW 3/8-16 X 3/4 SH PLAIN	2
22.	72062107	NUT .50-13 HEX CENTER LOCK	4
26.	72063034	MACHINERY BUSHING 1.00 X 10 GA NR	6
27.	72066125	RETAINING RING-EXT	6
28.	71392277	DECAL-STAB POWER OUT	1
29.	72066178	COTTER PIN .12 X 1.00 PLAIN	8
30.	71392257	DECAL-STAB POWER DOWN SS	1
34.	72532351	ADAPTER-#4MSTR #4MJIC	4
35.	72532799	ELBOW #6MSTR #8MJIC XLG	4
41.	60114701	MOUNTING ANGLE	2
42.	60114702	MOUNTING ANGLE	2
43.	72060186	CAP SCREW .75-10 X 2.5 HHGR5Z	12
44.	72062114	NUT .75-10 HEX NYLOC	12
20120906			

Stabilizer, Front Jack-Leg (51716385)

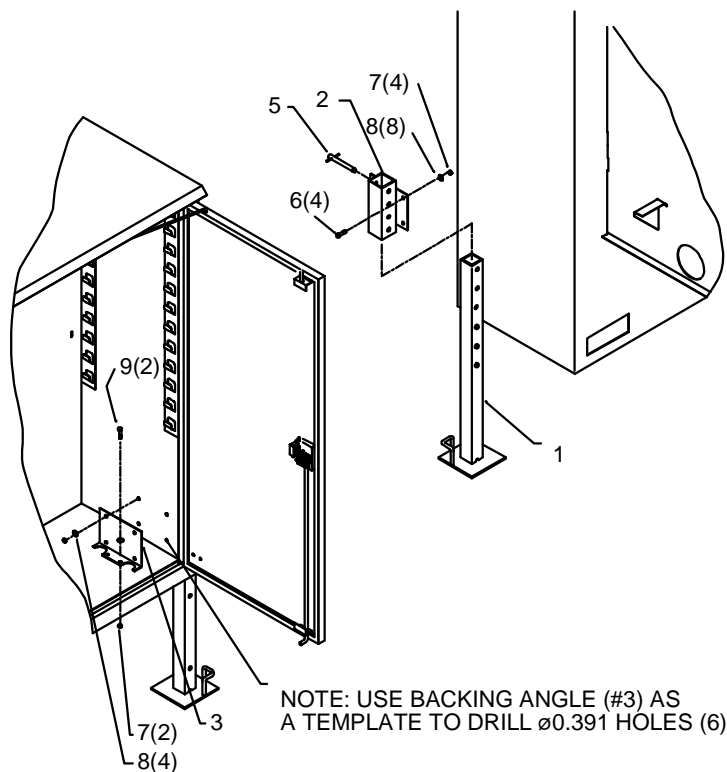
STABILIZER SPECIFICATIONS	
Typical Application	Telescopic crane bodies
Recommended Crane Rating	Up to 60,000 ft-lb
Extended Length	18.57"



51716385 PARTS LIST			
ITEM	PART #	DESCRIPTION	QUANTITY
1.	60125450	OUTRIGGER HOUSING, JACK LET	1
2.	60124343	BACKING ANGLE, FRONT O/R	1
3.	71731461	PIN-T QUICK RELEASE	1
4.	71731711	PIN-T QUICK RELEASE	1
5.	72060100	CAP SCREW 1/2-13X4.5 HHGR5Z	1
6.	72060046	CAP SCREW 3/8-16X1 HHGR5Z	4
7.	72063005	WASHER 1/2 FLAT	2
8.	72063003	WASHER 3/8 FLAT	2
9.	72062080	NUT 1/2-13 HEX NYLOC	1
10.	72062103	NUT 3/8-16 HEX NYLOC	4
11.	52716386	WELDMENT	1
13.	52718169	WELDMENT	1
REV B 20120515			

Stabilizer, Front Drop Down (51711242)

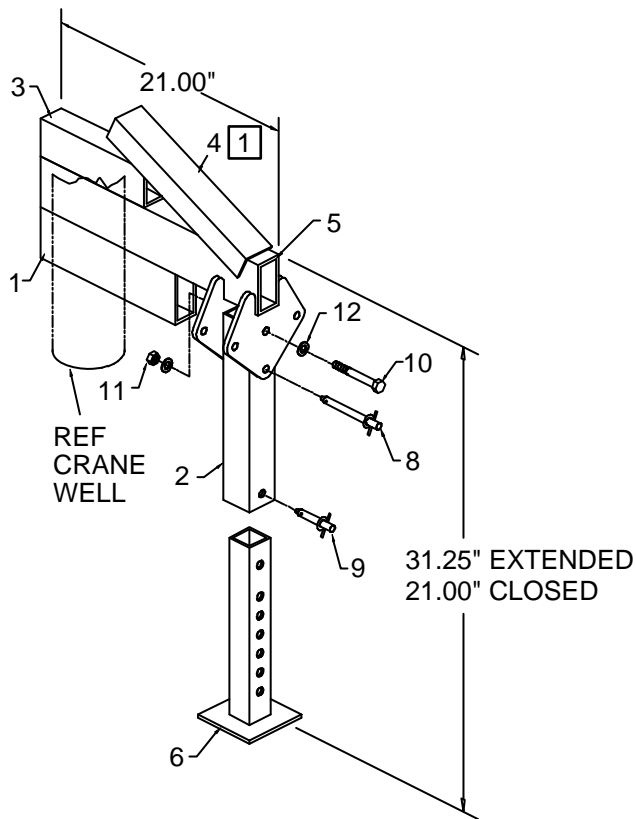
STABILIZER SPECIFICATIONS	
Typical Application	Telescopic crane bodies
Recommended Crane Rating	Up to 60,000 ft-lb
Extended Length	24.75"



51711242 PARTS LIST				
ITEM	PART #	DESCRIPTION	DETAILS	QUANTIT Y
1.	52705229	STABILIZER LEG, FRONT		1
2.	52711253	BOLT-ON HOUSING		1
3.	60116771	BACKING ANGLE		1
4.	70392864	DECAL, WARNING STAB STAND CLEAR		1
5.	71731711	PIN		1
6.	72060047	CAP SCREW	3/8-16X1.25 HHGR5	4
7.	72062103	NUT	3/8-16 HEX NYLOC	6
8.	72063003	WASHER	3/8 FLAT	12
9.	72060046	CAP SCREW	3/8-16X1 HHGR5	2
REV C 20120309				

Stabilizer, Swing Down (90701596)

STABILIZER SPECIFICATIONS	
Typical Application	Telescopic crane bodies
Recommended Crane Rating	Up to 10,500 ft-lb
Extended Length	31.25"



NOTES (SEE REFERENCE NUMBER IN BOX):

- 1 POSITION #4 ANGLE AFTER CRANE IS POSITIONED.
- 2 PLACE DECAL #7 ON STABILIZER IN CLEAR VIEW OF OPERATOR.

90701596 PARTS LIST			
ITEM	PART #	DESCRIPTION	QUANTITY
1.	60108335	TUBE-RC 4.00 X 2.00 X 13.50	1
2.	60103578	STABILIZER HOUSING	1
3.	60107651	TUBE-RC 3.00 X 2.00 X .25 X 10.00	1
4.	60108334	ANGLE (SEE NOTE)	1
5.	52701717	MANUAL STABILIZER	1
6.	52701718	STABILIZER LEG WELDMENT - SWING DOWN	1

90701596 PARTS LIST			
ITEM	PART #	DESCRIPTION	QUANTITY
7.	70392864	DECAL-STABILIZER STAND CLEAR	1
8.	71731461	PIN-T QUICK RELEASE	1
9.	71731711	PIN-T QUICK RELEASE	1
10.	72060100	CAP SCREW .50-13 X 4.5 HHGR5Z	1
11.	72062080	NUT .50-13 HEX NYLOC	1
12.	72062005	WASHER .50 FLAT	2
REV A			

CHAPTER 3

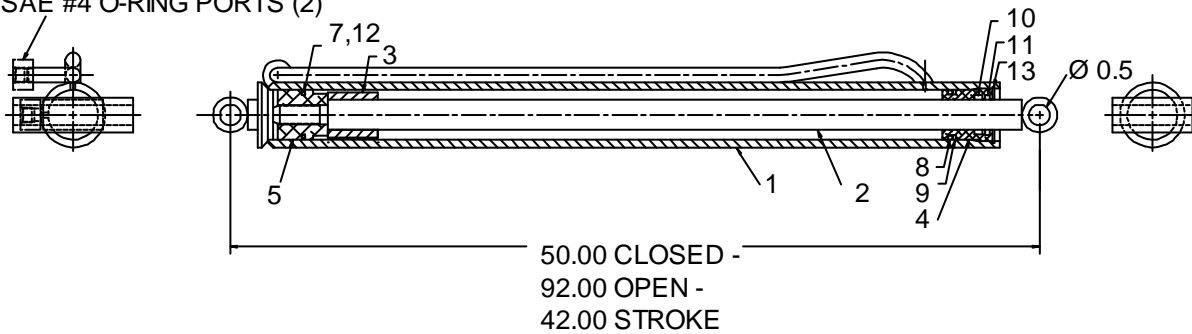
Auxiliary Stabilizer Cylinders & Valvebanks

In This Chapter

Cylinder, Power Out (3B142860)	63
Cylinder, Power Down (3B166820)	65
Cylinder, Power Down (3B205010)	66
Cylinder, Power Out (3B210522)	68
Valve Bank, 3-Section (51703619).....	70
Valve Bank, 3-Section (51714812).....	71
Valve Bank, 3-Section, Power Out (51716107).....	72
Valve Bank, 2-Section (51714813).....	73

Cylinder, Power Out (3B142860)

SAE #4 O-RING PORTS (2)



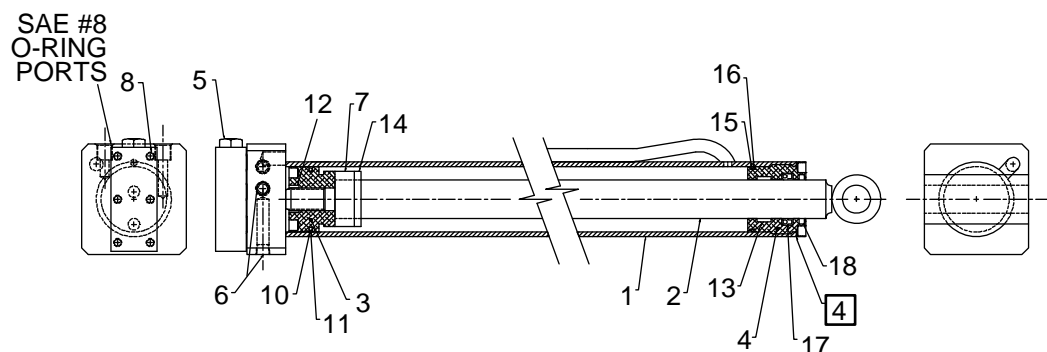
CYLINDER DATA	
CLOSED LENGTH	50.17 / 49.85" CLOSED
OPEN LENGTH	92.33 / 91.59" OPEN
STROKE	42.15 / 41.84" STROKE
PISTON TORQUE	10-40 FT-LB
CARTRIDGE TORQUE	30-35 FT-LB

NOTES:

- 1 REPLACE ALL COMPONENTS OF THE SEAL KIT WHENEVER THE CYLINDER IS DISASSEMBLED. THIS WILL REDUCE FUTURE DOWNTIME.
- 2 APPLY REGULAR GRADE ANTI-SEIZE AND LUBRICATING COMPOUND TO THE THREADS ON THE CYLINDER HEAD ONLY. KEEP AWAY FROM ALL SEALS.
- 3 APPLY "LUBRIPLATE" NO. 630-2 MEDIUM HEAVY, MULTI-PURPOSE LUBRICANT, TO ALL PISTON HEAD GLAND AND HOLDING VALVE SEALS, NYLON LOCK RING, CAST IRON PISTON RINGS, AND ROD STINGER THREADS.
- 4 TORQUE PISTON TO 10-40 FT-LB, CARTRIDGE TO 30-35 FT-LB.

3B142860 PARTS LIST			
ITEM	PART #	DESCRIPTION	QUANTITY
1.	4B142860	CASE ASM	1
2.	4G142860	ROD ASM	1
3.	6C125007	STOP TUBE	1
4.	6H012007	HEAD	1
5.	6I012050	PISTON	1
6.	9B050608	SEAL KIT	REF
7.	7Q072021	O-RING	1
8.	7Q072214	O-RING	1
9.	7Q10P214	BACKUP RING	1
10.	7R100750	U-CUP SEAL	1
11.	7R13P007	ROD WIPER	1
12.	7T66P012	PISTON SEAL	1
13.	72066029	RETAINING RING	1
REV B 20120417			

Cylinder, Power Down (3B166820)



CYLINDER DATA	
CLOSED LENGTH	29.68 / 29.44" CLOSED
OPEN LENGTH	50.75 / 50.31" OPEN
STROKE	21.07 / 20.87" STROKE
PISTON TORQUE	100-130 FT-LB
HEAD TORQUE	288 FT-LB
CARTRIDGE TORQUE	30-35 FT-LB

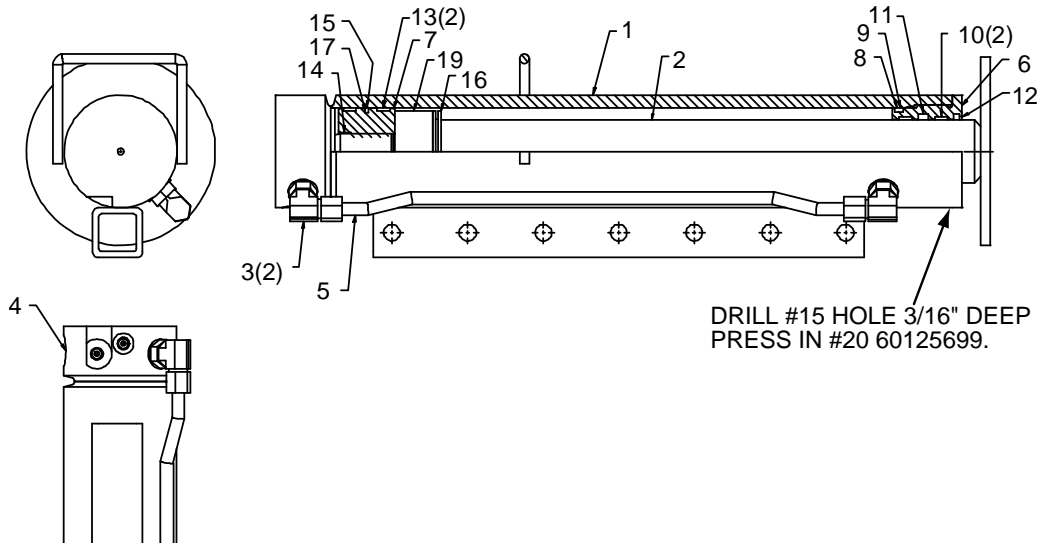
NOTES:

- 1 REPLACE ALL COMPONENTS OF THE SEAL KIT WHENEVER THE CYLINDER IS DISASSEMBLED. THIS WILL REDUCE FUTURE DOWNTIME.
- 2 APPLY REGULAR GRADE ANTI-SEIZE AND LUBRICATING COMPOUND TO THREADS ON CYLINDER HEAD ONLY. KEEP AWAY FROM ALL SEALS.
- 3 APPLY "LUBRIPLATE" NO. 630-2 MEDIUM HEAVY, MULTI-PURPOSE LUBRICANT, TO ALL PISTON, HEAD GLAND, AND HOLDING VALVE SEALS, NYLON LOCK RING, CAST IRON PISTON RINGS, AND ROD STINGER THREADS.
- 4 DRILL #15 HOLE 0.188" (4.77 mm) DEEP. PRESS IN LOCKING PIN # 19.
- 5 ITEM # 14, STOP TUBE, REPLACES WAFER LOCK. USE STOP TUBE INSTEAD OF WAFER LOCK WHEN RESEALING CYLINDER.

3B166820 PARTS LIST				
ITEM	PART #	DESCRIPTION	DETAILS	QUANTITY
1.	4B166820	CASE ASSEMBLY	2.52 BORE X 27.25 LONG	1
2.	4B166820	ROD ASSEMBLY	1.50 DIA X 28.06 L	1
3.	6I025087	PISTON	2.50 BORE	1
4.	6H025015	HEAD	2.52B 1.50R	1
5.	73054004	VALVE-CHECK		1
6.	7PNPXT02	PLUG-PIPE 1/8 NPT		3REF
7.	6C075015	STOP TUBE	1.50R X .75L	1
8.	72060708	CAP SCREW	.25-20 X 1.25 SH	6
9.	9B101214	SEAL KIT		1REF
10.	7Q072137	O-RING	2.06 X 2.25 X .09	1
11.	7T66P025	PISTON SEAL	DYNAMIC 2.5"	1
12.	7T61N087	LOCK RING	.88" NYLON	1

3B166820 PARTS LIST				
ITEM	PART #	DESCRIPTION	DETAILS	QUANTITY
13.	7T2N8015	WEAR RING-ROD	1.50 ID X 3.00 OD	1
14.	60138272	STOP TUBE	1.50R X .25L	1
15.	71072228	O-RING	2.25 X 2.50 X .12	1
16.	7Q10P228	BACKUP RING	2.25 ID X 2.50 OD	1
17.	7R546015	U-CUP-LOADED	1.50 X 2.00 X .38	1
18.	7R14P015	ROD WIPER	1.50 ROD	1
19.	60125699	PIN-LOCKING TUBE		1
REV. C 20120312				

Cylinder, Power Down (3B205010)



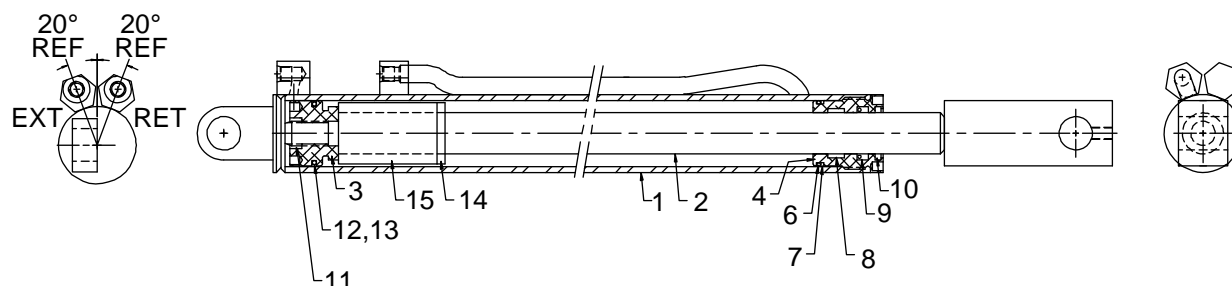
NOTES:

- 1 TO REDUCE DOWNTIME, REPLACE ALL COMPONENTS OF THE SEAL KIT WHENEVER THE CYLINDER IS DISASSEMBLED.
- 2 APPLY "LUBRIPLATE #630-2" MEDIUM HEAVY, MULTI-PURPOSE LUBRICANT OR EQUIVALENT TO ALL PISTON AND HEAD GLANDS, LOCK RING AND ROD THREADS BEFORE ASSEMBLY.
- 3 USE ANTI-SEIZE LUBRICATING COMPOUND OR EQUIVALENT BETWEEN THE HEAD AND THE CASE WHEN ASSEMBLING THE CYLINDER.
- 4 ITEM #16, STOP TUBE, REPLACES 6A025025 WAFER LOCK. USE STOP TUBE INSTEAD OF WAFER LOCK WHEN RESEALING CYLINDER.
- 5 TORQUE PISTON TO 500-530 FT-LB, HEAD TO 350 FT-LB, AND CARTRIDGE TO 30-35 FT-LB.

3B205010 PARTS LIST			
ITEM	PART #	DESCRIPTION	QUANTITY
1.	4B205010	CASE ASY	1
2.	4G048870	ROD ASY	1
3.	72053763	ELBOW #8MSTR #8MJIC 90°	2
4.	73054681	CHECK VALVE	1
5.	5P288970	PORT TUBE	1
6.	6HD35025	HEAD	1
7.	6ID35125	PISTON	1
8.	7Q072338	O-RING	1REF
9.	7Q10P338	BACKUP RING	1REF
10.	7T2NX427	WEAR RING	2REF
11.	7R546025	U-CUP SEAL	1REF
12.	7R14P025	ROD WIPER	1REF
13.	7T2NX435	PISTON RING	2REF
14.	7T61N125	NYLON LOCK RING	1REF

3B205010 PARTS LIST			
15.	7T66P035	PISTON SEAL	1REF
16.	60138260	STOP TUBE (WAS 6A025025 WAFER LOCK) (SEE NOTE)	1REF
17.	7Q072151	O-RING	1REF
18.	9D142020	SEAL KIT (INCL. 8-17, 20)	1
19.	6C015025	STOP TUBE	1
20.	60125699	PIN-LOCK TUBE	1
REV. D 20120312			

Cylinder, Power Out (3B210522)



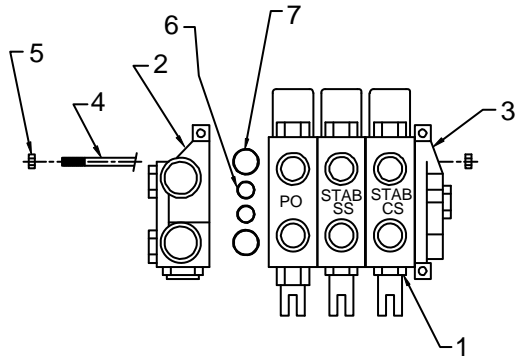
CYLINDER DATA	
CLOSED LENGTH	38.50" CLOSED
OPEN LENGTH	62.25" OPEN
STROKE	23.75" STROKE

NOTES:

- 1 TO REDUCE DOWNTIME, REPLACE ALL COMPONENTS OF THE SEAL KIT WHENEVER THE CYLINDER IS DISASSEMBLED.
- 2 APPLY "LUBRIPLATE #630-2" MEDIUM HEAVY, MULTI-PURPOSE LUBRICANT OR EQUIVALENT TO ALL PISTON AND HEAD GLANDS, LOCK RING AND ROD THREADS BEFORE ASSEMBLY.
- 3 USE ANTI-SEIZE LUBRICATING COMPOUND OR EQUIVALENT BETWEEN THE HEAD AND THE CASE WHEN ASSEMBLING THE CYLINDER.

3B210522 PARTS LIST				
ITEM	PART #	DESCRIPTION	DETAILS	QUANTITY
1.	4B210522	CASE ASSEMBLY	2.00 BORE X 32.25 LG	1
2.	4G210521	ROD ASSEMBLY	1.25 X 36.62	1
3.	6I020075	PISTON	2.00B X .75 STINGER	1
4.	6H020012	HEAD	2.00B X 1.25 ROD	1
5.	9B081012	SEAL KIT		1REF
6.	7Q072224	O-RING	1.75 X 2.00 X .12	1
7.	7Q10P224	BACKUP RING	1.75 ID X 2.00 OD	1
8.	7T2N8012	WEAR RING-ROD	1.25 ID X .50 WIDTH	1
9.	7R546012	U-CUP, LOADED	1.25 X 1.62 X .31	1
10.	7R14P012	ROD WIPER	1.25 ROD	1
11.	7T61N075	LOCK RING-NYLON	.75	1
12.	7Q072129	O-RING	1.56 X 1.75 X .09	1
13.	7T66P020	PISTON SEAL-DYNAMIC	2.00	1
14.	6A025012	WAFER LOCK	1.25	1
15.	6C300012	STOP TUBE	1.25R X 3.00L	1
REV A 20120312				

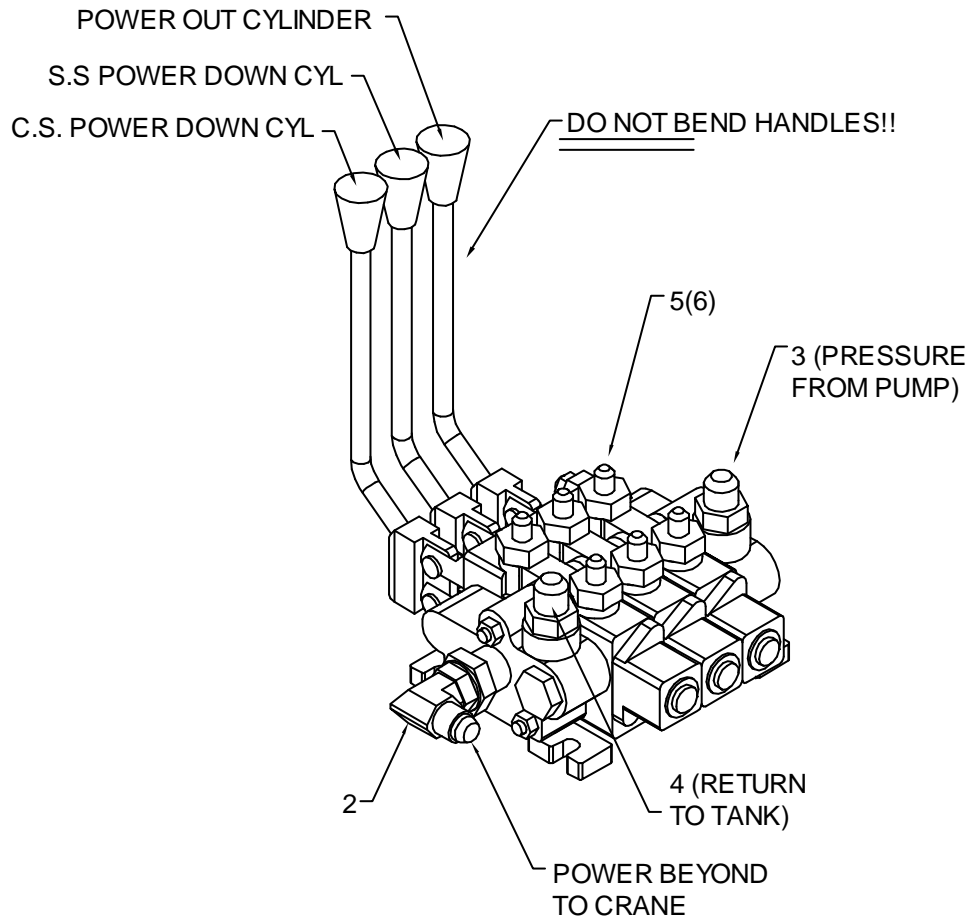
Valve Bank, 3-Section (51703619)



51703619 PARTS LIST

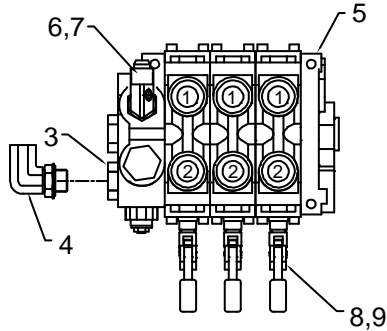
ITEM	PART #	DESCRIPTION	DETAILS	QUANTITY
1.	73054432	SECTION, V20 4-WAY	SAE 8	3
2.	73731424	END COVER-LH		1
3.	73731241	END COVER WITH CONVERSION PLUG		1
4.	73014594	STUD-VALVE BANK	.38 X 8.25 LG	3
5.	72062037	NUT	.38-24 HEX ZINC	6
6.	7Q072119	O-RING	.94 X 1.12 X .09	8
7.	7Q072117	O-RING	.81 X 1.00 X .09	8
8.	73054673	RELIEF VALVE	PART OF #2	1REF
REV A 20120312				

Valve Bank, 3-Section (51714812)



51714812 PARTS LIST			
ITEM	PART #	DESCRIPTION	QUANTITY
1.	51705984	VALVEBANK	1
2.	72053764	ELBOW #10MSTR #8MJIC 90°	1
3.	72532358	ADAPTER #8MSTR #8MJIC	1
4.	72532359	ADAPTER #10MSTR #8MJIC	1
5.	72533589	ADAPTER #10MSTR #4MJIC	6

Valve Bank, 3-Section, Power Out (51716107)



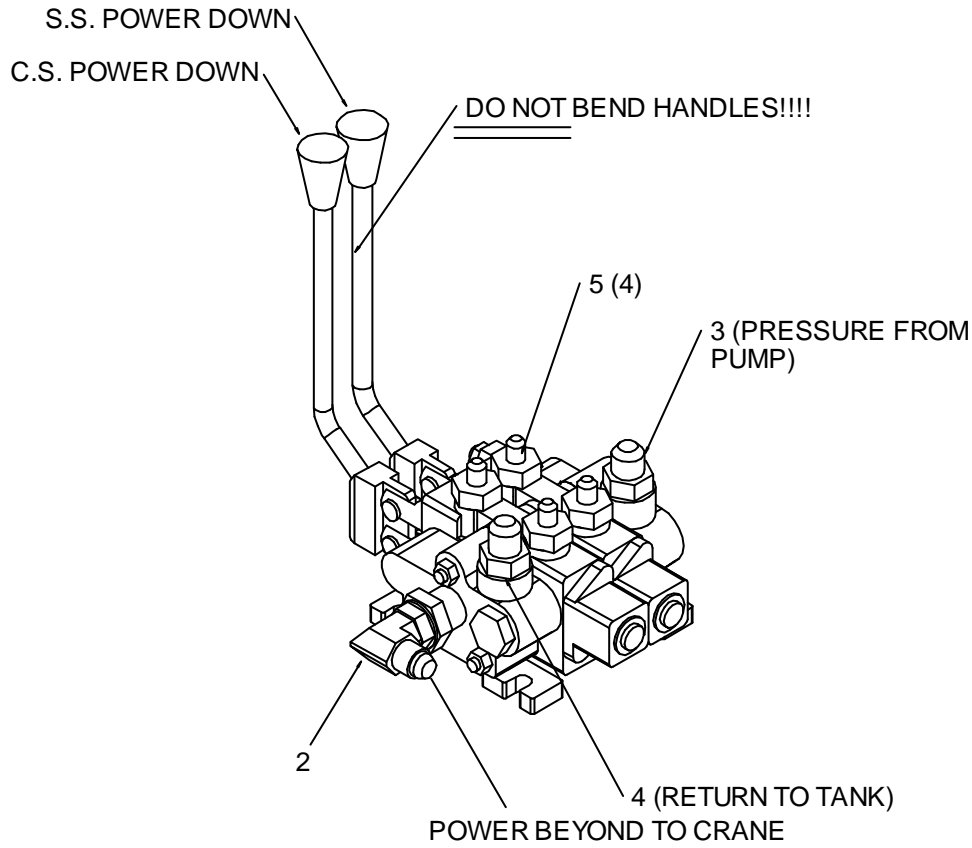
NOTES (SEE REFERENCE NUMBER IN BOX):

- 1 ALL FITTINGS FACE AWAY FROM HANDLES.

51716107 PARTS LIST

ITEM	PART #	DESCRIPTION	DETAILS	QUANTITY
1.	72053763	ELBOW	MSTR/90/MJIC #8 #8	3
2.	72532666	ELBOW	MSTR/MJIC XLG #8 #8	3
3.	72053747	ADAPTER	MSTR/FPT 12 .75	1
4.	72053556	ELBOW-STREET	STL .75 X 90 DEG	1
5.	51703619	VALVEBANK - 3 SECTION		1
6.	72053412	PLUG-PIPE SQ HEAD	STL .25	1
7.	60106322	ELBOW-PRESSURE GUAGE		1
8.	73014848	HANDLE-VALVE		3
9.	94731839	LINK & PIN KIT		3
REV A				

Valve Bank, 2-Section (51714813)



51718413 PARTS LIST			
ITEM	PART #	DESCRIPTION	QUANTITY
1.	51705983	VALVEBANK	1
2.	72053764	ELBOW #10MSTR #8MJIC 90°	1
3.	72532358	ADAPTER #8MSTR #8MJIC	1
4.	72532359	ADAPTER #10MSTR #8MJIC	1
5.	72533589	ADAPTER #10MSTR #4MJIC	4