



IOWA MOLD TOOLING CO., INC.

P.O. Box 189
Garner, IA 50438
Tel: 641.923.3711
Fax: 641.923.2424
www.imt.com

Manual # 99905270

2017 - Dominator III Operator's Manual

Revised: 1-1-2018

Copyright © 2018 Iowa Mold Tooling Co., Inc.
All rights reserved

No part of this publication may be reproduced, stored in a retrieval system, or transmitted in any form or by any means, electronic, mechanical, photocopying, recording or otherwise without the prior written permission of Iowa Mold Tooling Co., Inc.

Iowa Mold Tooling Co., Inc. is an Oshkosh Corporation Company

This page left intentionally blank

Table of Contents

Section - 1	1
Equipment Safety.....	2
Equipment Daily Safety Inspections	5
Parts Ordering Information.....	6
Section - 2	9
Equipment Specifications.....	10
Dominator III Chassis Specifications	11
Section - 3	13
Compartment Layout (99905160).....	14
Dominator III Sidepack Dimensions.....	17
Access Package (99906106).....	20
Body Installation (99905159)	22
Door Assembly (99905142)	24
Door Latch Installation (99906023).....	26
Key Cylinder Replacement	30
Dominator III Crane Installation Hole Pattern (99905219).....	31
Stabilizer - Valve Bank - Power Down (73734228).....	32
Stabilizer - Valve Bank - Power Out Down (73734229)	33
Section - 4	35
Electrical Panel (99905112).....	36
Wiring Installation.....	40
Harness - Dominator III, Stp / Tail / Trn / Mrk 7BI (77441598).....	41
Harness - Dominator III, Stp / Tail / Trn / Mrk In WB (77441647).....	43
Electrical Harness, Power Panel, Dominator III (77441610).....	45
Electrical Harness, Left Sidepack (77441609).....	47
Dominator III- 11', Flood & Marker Lights (77441612).....	49
Dominator III - 14', Flood & Marker Lights (77441613).....	50
Chassis Interface Installation (99905369).....	51
Harness to Harness Connection Chart	52
Protective Sleeve Installation (70034573)	53
Dominator III Electrical Troubleshooting	54
Dominator III Electrical Troubleshooting (continued)	55
Electrical Installation (99905307).....	56
Section - 5	59
Aluminum Rock Guards.....	60
Thread Torque Charts	62
Thread Torque Chart - Metric.....	63
Turntable Bearing Thread Tightening Sequence	64

Introduction

Section - 1

Equipment Safety

PERSONNEL REQUIREMENTS

Certain inherent risks are associated with heavy equipment. Personnel working in the area of these vehicles are subject to certain hazards that cannot be guarded against by mechanical means, but only by the exercise of intelligence, care, and common sense. It is therefore essential for the owner of this equipment to have personnel involved in the use and operation of these vehicles who are competent, careful, physically and mentally qualified, and trained in the safe operation of this equipment.

TRAINING

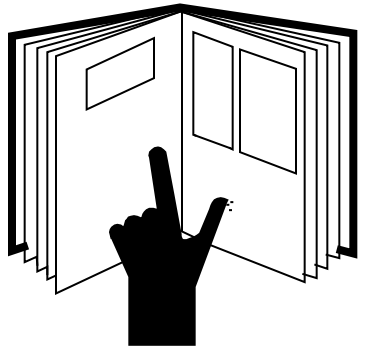
Prior to using any of the equipment installed on or incorporated in the IMT Crane Body Mechanics Truck, you must:

- Have already been fully trained to operate the vehicle and equipment.
- Have demonstrated the effectiveness of your training and the extent of your knowledge.

BEFORE operating this vehicle and any associated equipment, you, the operator or maintainer, must read, understand, and follow the instructions found in the operator and maintenance manuals from the manufacturers of major components used on this vehicle or equipment

Proper tools and service equipment must be used taking appropriate precautions as required by accepted safety practices to prevent personal injury and / or equipment damage

If you are uncertain about the safe operation of any aspect of this vehicle or equipment, stop immediately and seek further training.

⚠ WARNING	
	<ul style="list-style-type: none">• Only trained personnel should operate this equipment.• Do not operate or service until you have read and understood the operation and service manual supplied with this equipment.• Manuals can be obtained from manufacturer's website or by contacting customer service.• Operating this equipment without knowledge or training may lead to injury or death for you or others.

HAZARDS WHEN MOVING ABOUT THE VEHICLE

Only climb, step, or walk on this vehicle where there are slip resistant surfaces and the opportunity to maintain three points of contact at all times. Some surfaces that should not be stepped on are marked with a, No Step Warning. All smooth surfaces should be avoided even if not specifically labeled with a, No Step Warning sign. If maintenance or service requires access to a point on the vehicle not provided with slip resistant surfaces and hand holds, then use OSHA approved ladders, step stools, or other safe means for access.



DO NOT RIDE ON THE OUTSIDE OF THE VEHICLE WHEN IT IS MOVING.



CRANE SAFETY

Your IMT Mechanics Truck may include a crane. Follow all operating procedures posted on the crane and body and included in the operator's manual for safe crane operation, including:

- Power line safety
- Proper job-site set-up
- Using stabilizers

If your equipment includes a crane, refer to your crane operation and safety manual prior to operating your crane.




HYDRAULIC HAZARDS

Certain equipment on this vehicle, including cranes and compressors, may be powered by high-pressure hydraulic fluid. Most heavy equipment operates on hydraulic power and it is common throughout the industry. High- pressure hydraulic fluid leaks are dangerous. If you see a hydraulic leak, shut down the equipment and call in a service technician trained in safe methods of trouble-shooting and servicing hydraulic power equipment.

Never search for leaks with your hands or other body parts. High-pressure hydraulic fluid at pressures as low as 100 psi can penetrate skin. Use a piece of wood or cardboard to detect leaks, keeping hands and other body parts well away from the potential source of the leak.

If you suspect that you have been exposed to a high-pressure hydraulic skin penetration, seek medical help immediately. The high-pressure injection of a fluid such as hydraulic oil, grease and paint constitutes a medical and surgical emergency, requiring access to appropriate specialist surgical expertise as soon as possible. Often the injury appears minor. Don't be fooled. Fluids injected under the skin are highly toxic. The injury will lead to gangrene, amputation, and death if not treated promptly.

Most doctors are not trained in treating hydraulic related injuries. Make sure they are aware of the potential problems and get the recommend treatment needed to treat the injury.

 DANGER	
HYDRAULIC FLUID HAZARDS	
	<p>High-pressure fluid leak will pierce skin. Release pressure before working on system. Detect leaks with wood or cardboard. Wear sturdy gloves and goggles. NEVER use fingers.</p> <p>Fluid injected in skin must be surgically removed by trained doctor immediately or gangrene will result.</p> <p>Fluid injected into skin will injure or kill.</p>
	<p>Burn Hazard. Oil temperatures may exceed 120 ° F (35° C). Do not touch. Hot surface can burn skin.</p>

70399193

Equipment Daily Safety Inspections

Use the following list as a guide when you are inspecting your unit at start-up and during operation. You may be required to log your inspection results using the *Crane Log Manual*, (P/N 99900686) or the inspection checklist in the crane manual:

VEHICLE - Check oil level, battery, lights, brakes, and tires for inflation, pressure, cuts, and loose or missing wheel lugs.

SAFETY ACCESSORIES - Check for proper function, oil levels, leaks and malfunctions.

HYDRAULIC OIL RESERVOIR - Check for proper oil level. Check for leaks and blockages.

WELDMENTS - Check visually for damage, especially cracks or breaks in welds.

FASTENERS - Check pins, sheaves, nuts and bolts for breakage, excessive wear and tightness.

COVERS & GUARDS - Check for missing or improperly maintained covers and guards.

OPERATION PLACARDS AND SAFETY DECALS - Check for illegible or missing decals and placards. Refer to the Decal section of this manual for more information on the required decals.

WORK AREA - Check for hazards including power lines, obstructions, etc.

Replace or repair any items as needed prior to equipment operation. In addition, inspect your crane per the daily safety inspection instructions in the crane manual.

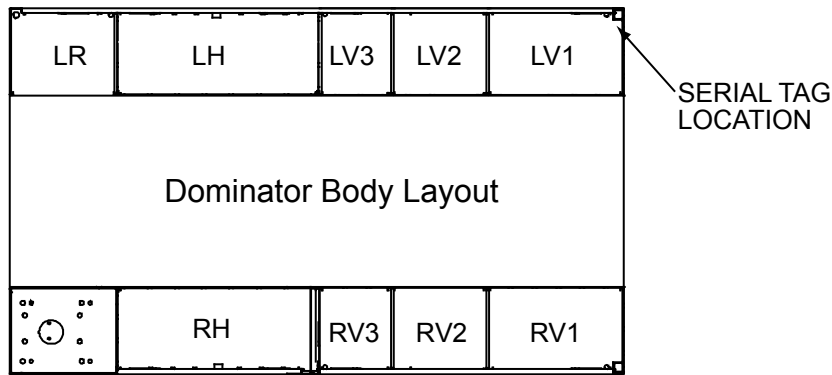
Parts Ordering Information

GENERAL

This manual contains parts drawings and accompanying parts lists for the assemblies used on this body. For equipment such as cranes, compressors, and winches, refer to the appropriate service manual.

BODY IDENTIFICATION

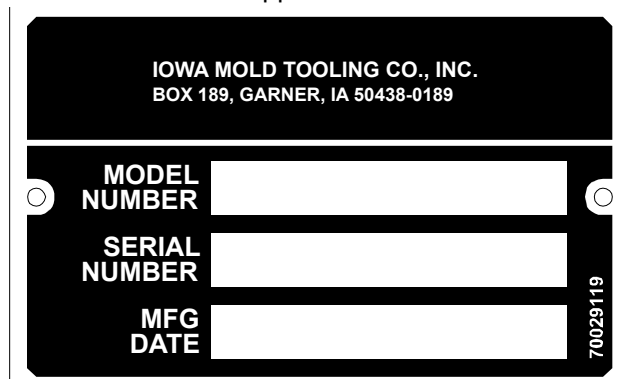
Every IMT body has an identification placard (see figure). This placard is attached in the upper left hand corner of the left vertical 1 compartment



NOTE: LV3, RV3 ON 14' DOMINATOR III ONLY

When ordering parts, communicating warranty information, or referring to the unit in correspondence, always include the serial number and model numbers. Address all inquiries to your authorized IMT distributor or:

Iowa Mold Tooling Co., Inc.
Box 189, Garner, IA 50438-0189
Telephone: 641-923-3711
Technical Support: 800-554-4421



PARTS IDENTIFICATION:

To insure proper replacement parts are received, specify the complete number / letter sequence for any part requested. The parts sections of this manual can assist you in determining the correct part number.

ORDERING REPAIR PARTS

When ordering replacement parts:

1. Give the model number of the unit.
2. Give the serial number of the unit.
3. Specify the complete part number. When ordering cylinder parts, or one of the main weldments, always give the stamped part number.
4. Give a complete description of the part.
5. Specify the quantity required.
6. Fill in your serial number to assist in future replacement parts ordering.

DOMINATOR SERIAL NUMBER:

--

This page left intentionally blank

Specifications

Section - 2

Equipment Specifications

SPECIFICATIONS	11'	14'
Body Rating	81,000 ft-lb (12.34 tm)	81,000 ft-lb (12.34 tm)
Body Rating	4090 - 4110 lb. (1855 - 1864 kg) (Based on configuration)	4772 - 4806 lb. (2165 - 2180 kg) (Based on configuration)
Body Width	96" (243.84 cm)	96" (243.84 cm)
Side Pack Height	52" (132.08 cm)	52" (132.08 cm)
Side Pack Depth	22" (55.88 cm)	22" (55.88 cm)
Cargo Deck Width	50" (127 cm)	50" (127 cm)
Workbench Depth	24" (60.96 cm)	24" (60.96 cm)
Tailgate Height	10" (25.4 cm)	10" (25.4 cm)
Storage Capacity (including workbench)	174.9 ft ³ to 179.3 ft ³ (4.9 - 5.1 m ³) (Based on configuration)	195.7 ft ³ to 202 ft ³ (5.5 - 5.7 m ³) (Based on configuration)
Angle of Departure	13°	13°
STANDARD CONFIGURATIONS		
11' BODY	Right front raised* to 60" (152.4 cm). All left-side compartments raised to 60" (152.4 cm)	
	All raised to 60" (152.4 cm)	
14' BODY	Right front raised* to 60" (152.4 cm); All left-side compartments raised to 60" (152.4 cm).	
	All raised* to 60" (152.4 cm)	
* Includes 1st and 2nd vertical compartments.		
NOTE: CRANE BOX IS 52" (132.08 cm) HIGH FOR ALL CONFIGURATIONS		

BODY MATERIALS

The side packs are constructed of 10-gauge and 12-gauge galvanized steel. The floor structure is constructed of 10-gauge galvanized and 1/8" deck plate steel. The workbench is constructed of galvanized and cold rolled steel.

BODY SUB-STRUCTURE

Patented inverted A-frame design constructed of 10-gauge galvanized material with integral crane box and rear stabilizer housing.

ELECTRICAL SYSTEM

The electrical system consists of a central power distribution point in the crane box using automotive style harnesses. The circuits use white wire with the circuit function printed every 3". The harness is protected by an over braid that is heat and cut resistant.

DOORS

The doors are constructed of 14-gauge galvanized steel with internal formed eaves and hemmed edges. The latches are a 3-point, locking rotary T-handle style. They are constructed of cast steel with a powder coat finish. The hinges are stainless steel with composite washers.

STORAGE CAPACITY	
11' RF raised / LH all raised	146.6 ft ³ (4.2 m ³)
11' RH & LH all raised	164.9 ft ³ (4.6 m ³)
14' RF raised / LH all raised	210.7 ft ³ (6.0 m ³)
14' All raised	215.4 ft ³ (6.1 m ³)
NOTE: CRANE BOX IS 52" (132.08 cm) HIGH FOR ALL CONFIGURATIONS	

OPTIONS:	
1. Drawers and drawer sets	7. LED Lights
2. Standard adjustable shelves	8. Work lights
3. 3" (7.6 cm) high divided adjustable shelves	9. High-intensity light package
4. Stabilizers - manual and hydraulic	10. Compartment pressurization system
5. Workbench vises and vise plates	11. Air systems
6. Energy-absorbing boom support	12. Telescopic cranes up to 81,000 ft-lb (12.34 tm)

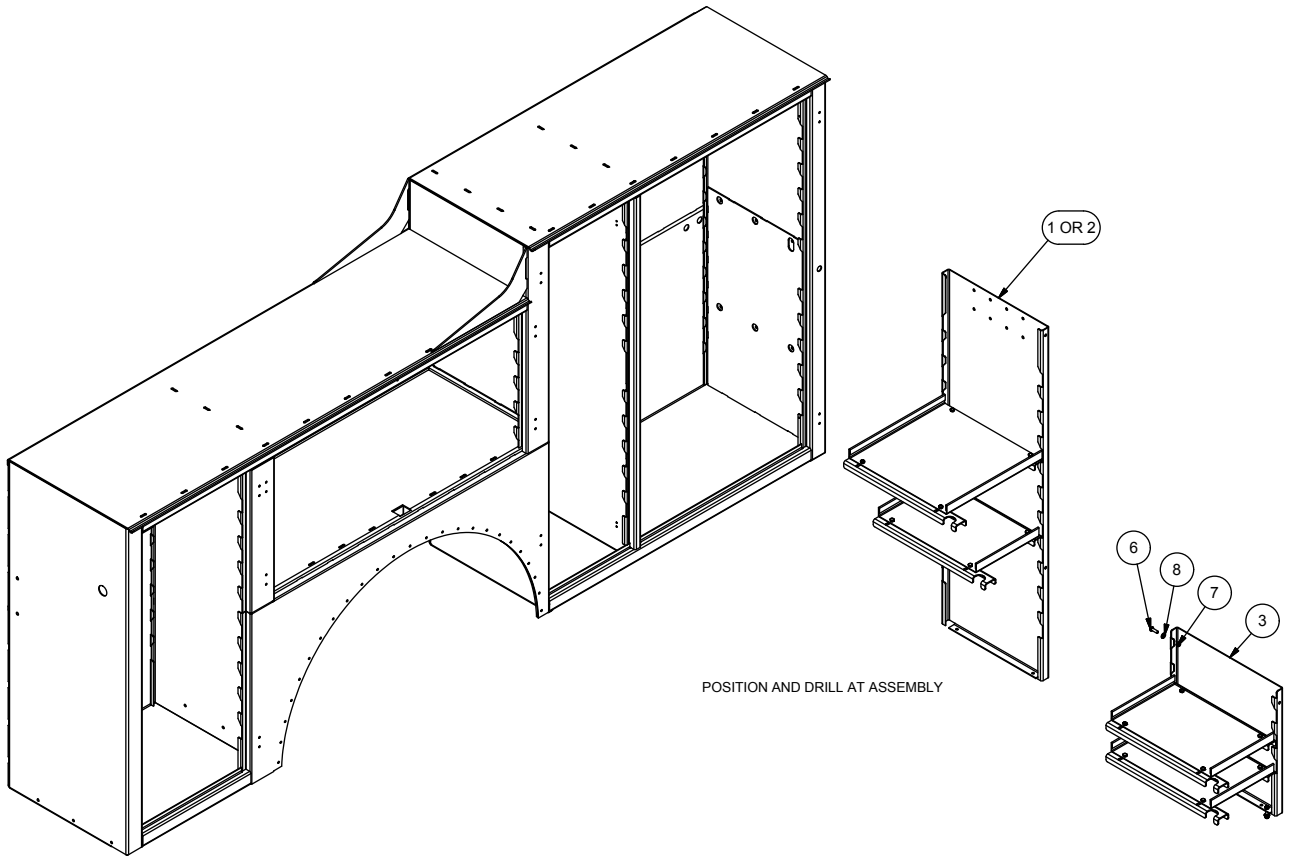
Dominator III Chassis Specifications

CHASSIS SPECIFICATIONS - 33,000 GVW Minimum Cab-to-Axle Dimensions	
Dominator III W/O Welder Deck	Single Axle (CA)
11' Body	84" (213.36 cm)
14' Body	120" (304.8 cm)
DOMINATOR III WITH WELDER DECK	Single Axle (CA) (based on width of welder deck selected)
11' Body	108" - 120" (274.32- 304.8 cm)
14' Body	144" - 156" (365.76 - 396.24 cm)

This page left intentionally blank

Assemblies & Installations **Section - 3**

Compartment Layout (99905160)



NOTE: THE LEFT AND RIGHT VERTICAL 3 COMPARTMENTS (LV3, RV3) ARE ONLY USED ON DOMINATOR III 14' BODIES.

99905160 PARTS LIST

ITEM NO.	PART NO.	DESCRIPTION	QTY.
1.	SEE CHART	SHELF	1
2.	SEE CHART	SHELF END	1
3.	SEE CHART	SHELF END	1
4.	72062109	NUT - .31 - 18 HEX NYLOC	4
5.	72060023	CAP SCREW - .31 - 18 X .75 HH	4
6.	72060032	WASHER - .31 FLAT 18 - 8	4
REV. B			

COMPARTMENT KEY	
LV	Left Rear
LV1	Left Vertical 1
LV3	Left Vertical 3
RV1	Right Vertical 1
RV3	Right Vertical 3
LH	Left Horizontal
LV2	Left Vertical 2
RH	Right Horizontal
RV2	Right Horizontal 2

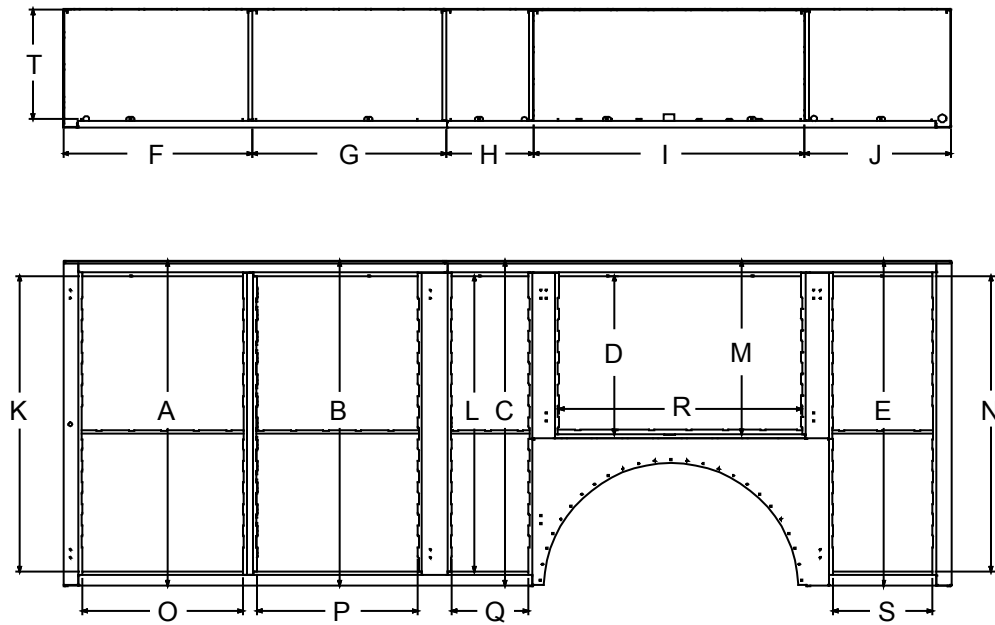
COMPARTMENT LOCATION	ITEM #3 SHELF END	ITEM #1 SHELF	ITEM #2 SHELF END	SHELF WIDTH	60136860 SHELF DIVIDER	SHELF KIT NUMBER
LEFT VERT 1	60136436	60136447	60136441	33.62		51723712
	60136436	60136450	60136441	33.62	6 INCLUDED	51723713
LEFT VERT 2-11'	60136439	60136446	60136441	15		51723714
	60136439	60136449	60136441	15	4 INCLUDED	51723715
LEFT VERT 2-14'	60136439	60136447	60136437	33.62		51723722
	60136439	60136450	60136437	33.62	6 INCLUDED	51723723
LEFT VERT 3-14'	60136439	60136446	60136441	15		51723714
	60136439	60136449	60136441	15	4 INCLUDED	51723715
LEFT HORIZ 11', 14'	60136438	60136445	60136441	49.75		51723716
	60136438	60136448	60136441	49.75	10 INCLUDED	51723717
LEFT REAR	60136438	60136444	60136440	25.75		51723718
	60136438	60136443	60136440	25.75	5 INCLUDED	51723719
RIGHT VERT 1	60136439	60136447	60136440	33.62		51723720
	60136439	60136450	60136440	33.62	6 INCLUDED	51723721
RIGHT VERT 2-11'	60136439	60136446	60136441	15		51723714
	60136439	60136449	60136441	15	4 INCLUDED	51723715
RIGHT VERT 2-14'	60136438	60136447	60136441	33.62		51723736
	60136438	60136450	60136441	33.62	6 INCLUDED	51723737
RIGHT VERT 3-14'	60136439	60136446	60136441	15		51723714
	60136439	60136449	60136441	15	4 INCLUDED	51723715
RIGHT HORIZ 11', 14'	60136439	60136445	60136437	49.75		51723740
	60136439	60136448	60136437	49.75	10 INCLUDED	51723741

RIGHT HAND						
Divider Panels	Item #3 Shelf End	Item #1 Shelf	Item #2 Shelf End	Shelf Width	Shelf Divider	Shelf Kit #
20" Divider Panel 51723744	60136439	60136442	60136863	11.5"	Shelves Included	51723744
40" Tall Divider Panel 51720126	60136439	60136856	60136862	11.5"		51723728
	60136439	60136857	60136862	11.5"	60251213 (3)	51723729
	60136439	60136858	60136862	17.5"		51723730
	60136439	60136859	60136862	17.5"	60251213 (4)	51723731
56" Tall divider Panel 51720127	60136439	60136856	60136862	11.5"		51723728
	60136439	60136857	60136862	11.5"	60251213 (3)	51723729
	60136439	60136858	60136862	17.5"		51723730
	60136439	60136859	60136862	17.5"	60251213 (4)	51723731

LEFT HAND						
Divider Panels	Item #3 Shelf End	Item #1 Shelf	Item #2 Shelf End	Shelf Width	Shelf Divider	Shelf Kit #
20" Divider Panel 51723744	60136921	60136442	60136863	11.5"	Shelves Included	51724702
40" Tall Divider Panel 51720126	60136921	60136856	60136862	11.5"		51724698
	60136921	60136857	60136862	11.5"	60251213 (3)	51724699
	60136921	60136858	60136862	17.5"		51724700
	60136921	60136859	60136862	17.5"	60251213 (4)	51724701
56" Tall divider Panel 51720127	60136921	60136856	60136862	11.5"		51724698
	60136921	60136857	60136862	11.5"	60251213 (3)	51724699
	60136921	60136858	60136862	17.5"		51724700
	60136921	60136859	60136862	17.5"	60251213 (4)	51724701

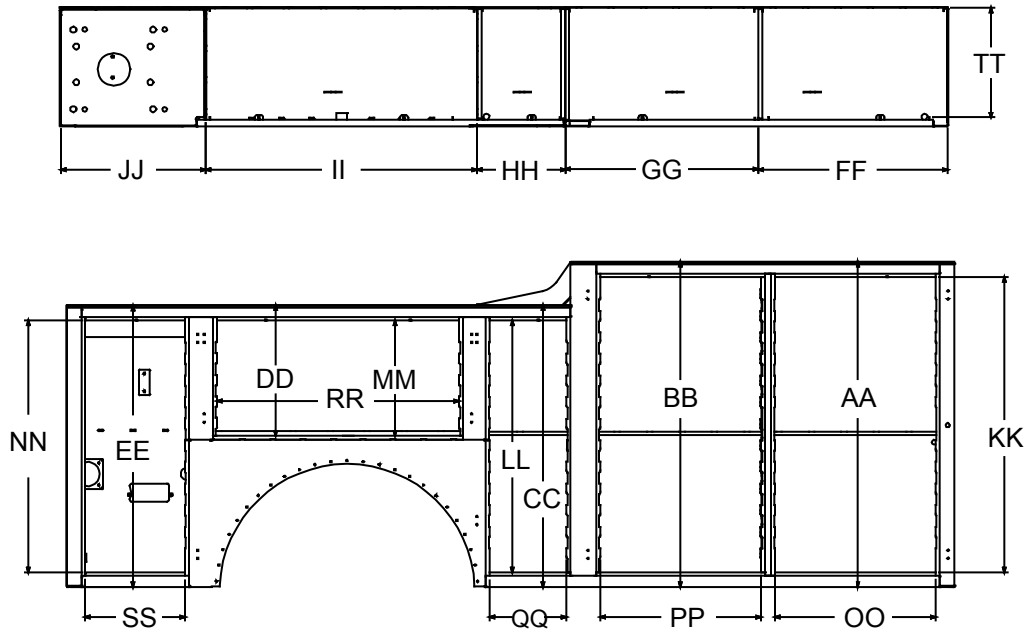
Dominator III Sidepack Dimensions

LEFT HAND SIDEPACK



	Compartment Dimensions										Door Opening Dimensions								Usable Depth	
	A	B	C	D	E	F	G	H	I	J	K	L	M	N	O	P	Q	R		S
Base Body																				
11ft RF & LH Raised	60" (152.4)		60" (152.4)	31.88" (81)	60" (152.4)	34.93" (88.7)		15.88 (40.3)	50.38" (127.9)	26.75" (67.9)	54.75" (139.1)	50.38" (127.9)	29.50" (74.9)	54.75" (139.1)	29.75" (75.6)		14.25" (36.2)	44.88" (114)	18.38" (46.7)	20.25" (51.4)
11ft All Raised	60" (152.4)		60" (152.4)	31.88" (81)	60" (152.4)	34.93" (88.7)		15.88 (40.3)	50.38" (127.9)	26.75" (67.9)	54.75" (139.1)	50.38" (127.9)	29.50" (74.9)	54.75" (139.1)	29.75" (75.6)		14.25" (36.2)	44.88" (114)	18.38" (46.7)	20.25" (51.4)
14ft RF & LH Raised	60" (152.4)	60" (152.4)	60" (152.4)	31.88" (81)	60" (152.4)	34.93" (88.7)	35.75" (90.8)	15.88 (40.3)	50.38" (127.9)	26.75" (67.9)	54.75" (139.1)	54.75" (139.1)	29.50" (74.9)	54.75" (139.1)	29.75" (75.6)	29.75" (75.6)	14.25" (36.2)	44.88" (114)	18.38" (46.7)	20.25" (51.4)
14' All Raised	60" (152.4)	60" (152.4)	60" (152.4)	31.88" (81)	60" (152.4)	34.93" (88.7)	35.75" (90.8)	15.88 (40.3)	50.38" (127.9)	26.75" (67.9)	54.75" (139.1)	54.75" (139.1)	29.50" (74.9)	54.75" (139.1)	29.75" (75.6)	29.75" (75.6)	14.25" (36.2)	44.88" (114)	18.38" (46.7)	20.25" (51.4)

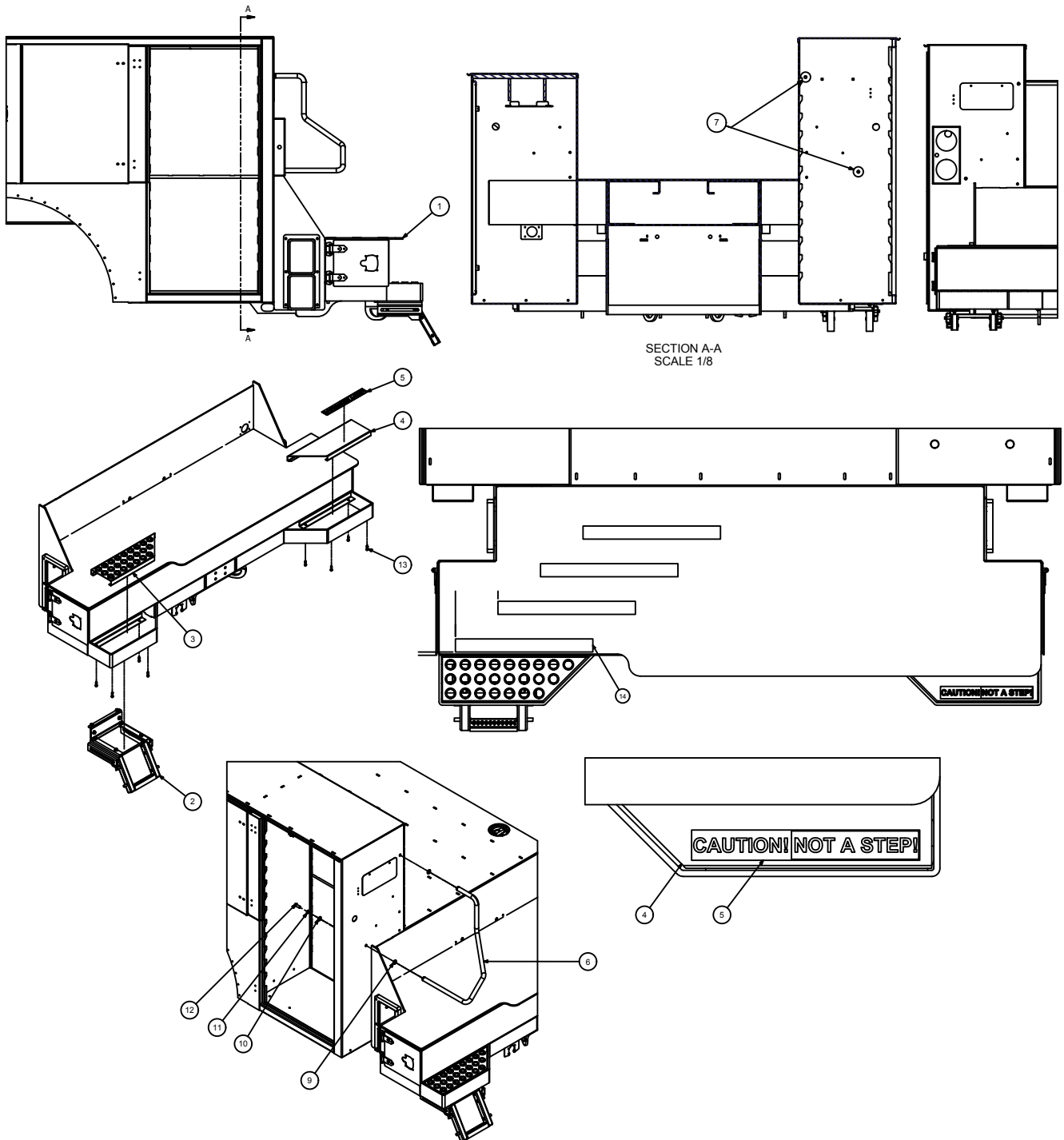
RIGHT HAND SIDEPACK



Base Body	Compartment Dimensions										Door Opening Dimensions							Usable Depth		
	AA	BB	CC	DD	EE	FF	GG	HH	II	JJ	KK	LL	MM	NN	OO	PP	QQ		RR	SS
11ft Standard	52" (132.1)		52" (132.1)	23.88" (60.7)	52" (132.1)	34.93" (88.7)		15.88 (40.3)	50.38" (127.9)	26.75" (67.9)	46.75" (118.7)	46.75" (118.7)	21.50" (54.6)	50.38" (127.9)	29.75" (75.6)		14.25" (36.2)	44.88" (114)	18.38" (46.7)	20.25" (51.4)
11ft RF Raised	60" (152.4)		60" (152.4)	23.88" (60.7)	52" (132.1)	34.93" (88.7)		15.88 (40.3)	50.38" (127.9)	26.75" (67.9)	54.75" (139.1)	50.38" (127.9)	21.50" (54.6)	50.38" (127.9)	29.75" (75.6)		14.25" (36.2)	44.88" (114)	18.38" (46.7)	20.25" (51.4)
11ft RF & LF Raised	60" (152.4)		60" (152.4)	23.88" (60.7)	52" (132.1)	34.93" (88.7)		15.88 (40.3)	50.38" (127.9)	26.75" (67.9)	54.75" (139.1)	50.38" (127.9)	21.50" (54.6)	50.38" (127.9)	29.75" (75.6)		14.25" (36.2)	44.88" (114)	18.38" (46.7)	20.25" (51.4)
11ft RF & LH Raised	60" (152.4)		60" (152.4)	23.88" (60.7)	52" (132.1)	34.93" (88.7)		15.88 (40.3)	50.38" (127.9)	26.75" (67.9)	54.75" (139.1)	50.38" (127.9)	21.50" (54.6)	50.38" (127.9)	29.75" (75.6)		14.25" (36.2)	44.88" (114)	18.38" (46.7)	20.25" (51.4)
11ft All Raised	60" (152.4)		60" (152.4)	31.88" (81)	52" (132.1)	34.93" (88.7)		15.88 (40.3)	50.38" (127.9)	26.75" (67.9)	54.75" (139.1)	54.75" (139.1)	29.50" (74.9)	50.38" (127.9)	29.75" (75.6)		14.25" (36.2)	44.88" (114)	18.38" (46.7)	20.25" (51.4)
13ft RF Raised	60" (152.4)	60" (152.4)	52" (132.1)	23.88" (60.7)	52" (132.1)	34.93" (88.7)	23.75" (60.3)	15.88 (40.3)	50.38" (127.9)	26.75" (67.9)	54.75" (139.1)	46.75" (118.7)	21.50" (54.6)	46.75" (118.7)	29.75" (75.6)	18.38" (46.7)	14.25" (36.2)	44.88" (114)	18.38" (46.7)	20.25" (51.4)
14ft RF & LF Raised	60" (152.4)	60" (152.4)	52" (132.1)	23.88" (60.7)	52" (132.1)	34.93" (88.7)	35.75" (90.8)	15.88 (40.3)	50.38" (127.9)	26.75" (67.9)	54.75" (139.1)	46.75" (118.7)	21.50" (54.6)	46.75" (118.7)	29.75" (75.6)	29.75" (75.6)	14.25" (36.2)	44.88" (114)	18.38" (46.7)	20.25" (51.4)
14ft RF & LH Raised	60" (152.4)	60" (152.4)	52" (132.1)	23.88" (60.7)	52" (132.1)	34.93" (88.7)	35.75" (90.8)	15.88 (40.3)	50.38" (127.9)	26.75" (67.9)	54.75" (139.1)	46.75" (118.7)	21.50" (54.6)	46.75" (118.7)	29.75" (75.6)	29.75" (75.6)	14.25" (36.2)	44.88" (114)	18.38" (46.7)	20.25" (51.4)

This page left intentionally blank

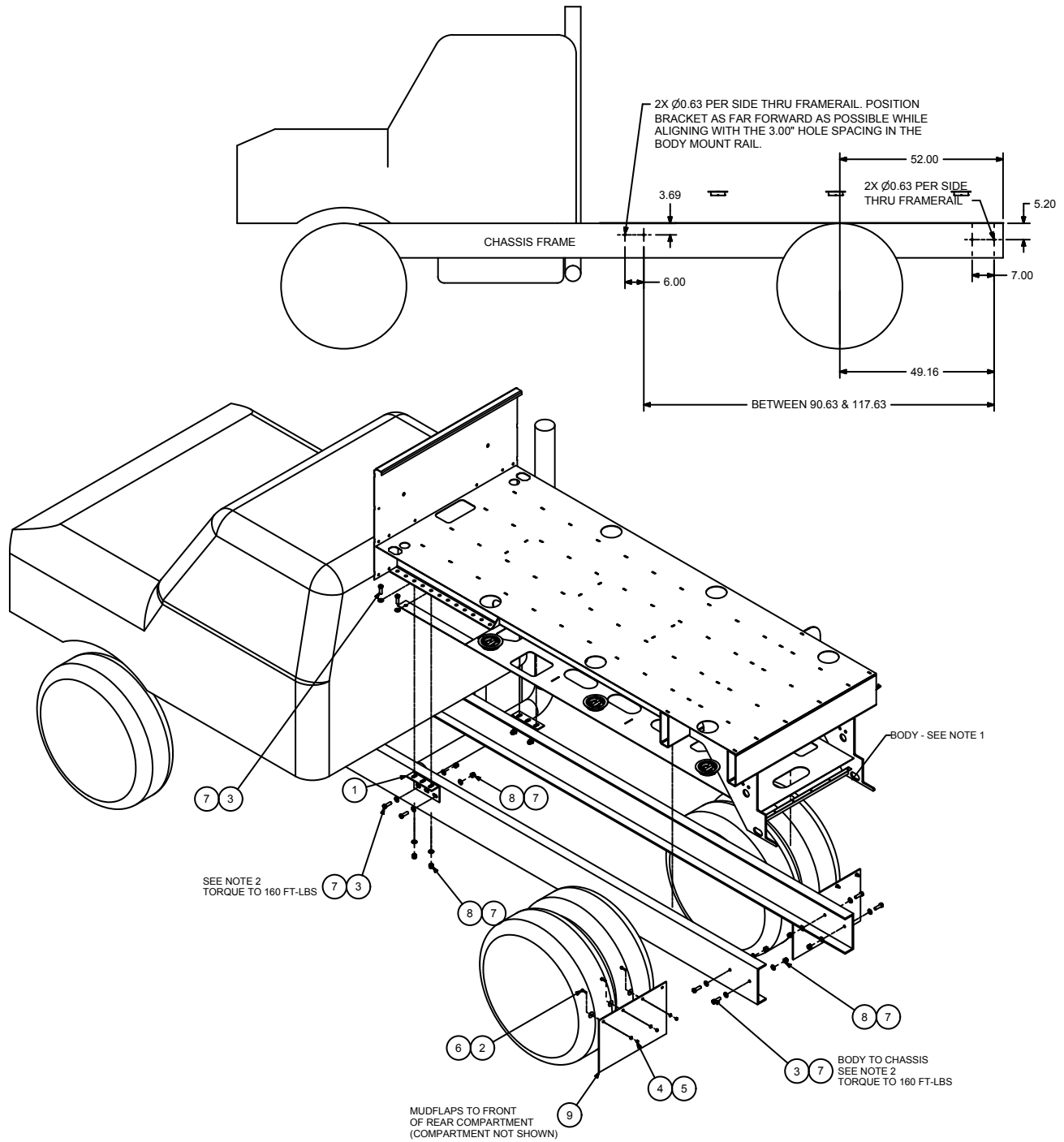
Access Package (99906106)



99906106 PARTS LIST

ITEM NO.	PART NO.	DESCRIPTION	QTY.
1.	60144541	DS3 -W-B OVERLAY D3&4 0.31 3PA	1
2.	52723864	DS3 -LADDER ASSEMBLY-10 DOM III	1
3.	60140037	STEP BUMPER-PUNCHED SERRATED LH	1
4.	60144388	STEP-7.00WX 1.50DX 22.25 BUMPER RH	1
5.	70399972	DECAL-NOT A STEP	1
6.	52726871	WLDMT-GRAB HANDLE 3-POINT ACCESS	1
7.	60144384	REINF PLATE-GRAB HANDLE 2.25 DIA.	2
8.	51726872	KIT-HRDW 3 POINT GRAB HANDLE MOUNTING	2
9.	72063322	WASHER-FLAT .50 X .08 X 1.06 BLK NEOPREN (part of 8)	2
10.	72063005	WASHER .50 FLAT (part of 8)	2
11.	72063053	WASHER .50 LOCK (part of 8)	2
12.	72060092	CAP SCR .50-13X 1.25 HH GR5 Z (part of 8)	2
13.	72060833	SCR-THRD.CUT .31-18X.75 HWH-1	8
14.	60350174	TREAD-SHUR STEP 2.0 X 21.0	4
REV. A			

Body Installation (99905159)



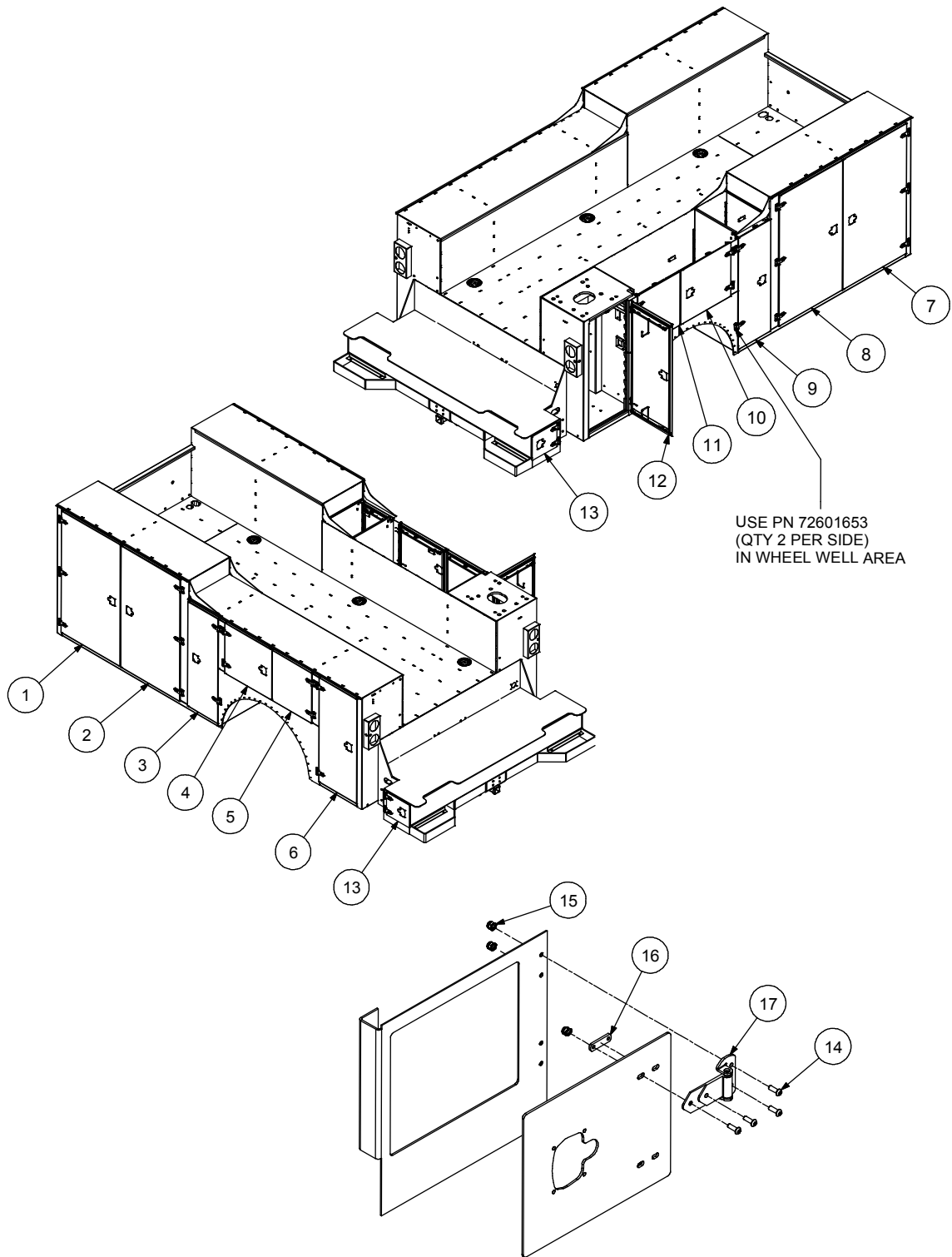
NOTES:

1. LEFT AND RIGHT SIDE PACKS ARE OMITTED FOR CLARITY. FASTENERS CAN BE INSTALLED FROM EITHER DIRECTION.
2. WHEN USING A TORQUE WRENCH, ALWAYS HOLD THE BOLT AND APPLY TORQUE TO THE NUT WITH THE TORQUE WRENCH.

99905159 PARTS LIST

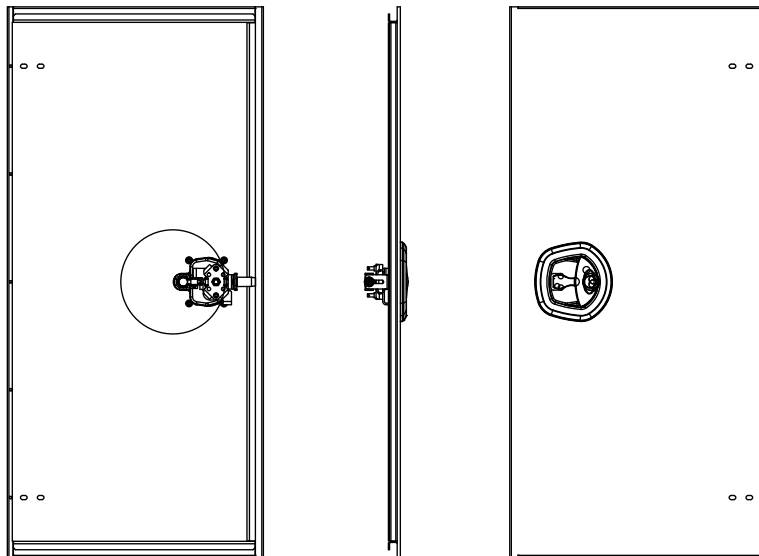
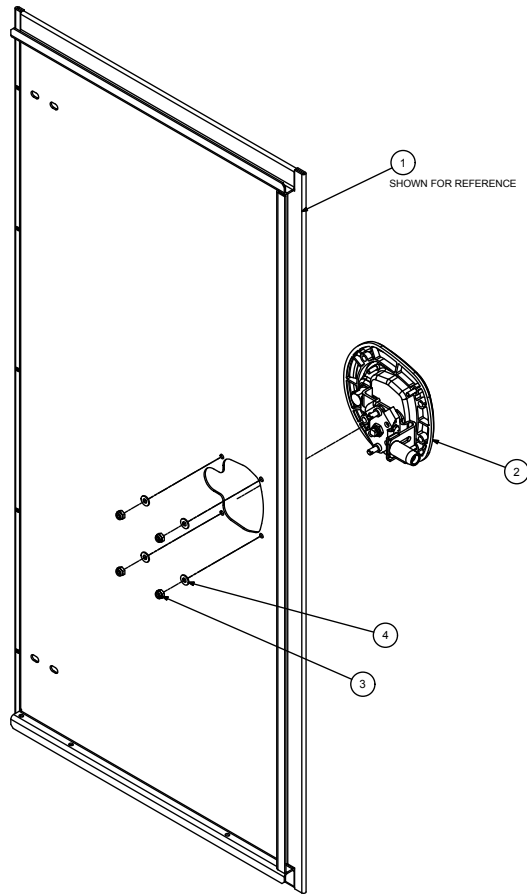
ITEM NO.	PART NO.	DESCRIPTION	QTY.
1.	60115068	MTG ANGLE-BODY TIE DOWN DOM 2	2
2.	72060026	CAP SCR .31-18X 1.25 HH GR5 Z	6
3.	72060151	CAP SCR .62-11X 2.00 HH GR8 Z	12
4.	72062109	NUT .31-18 HEX NYLOCK	6
5.	76392598	WASHER-BONDED PLTD .31	6
6.	72063078	WASHER .31X1.50 OD ZINC	6
7.	72063119	WASHER .62 FLAT ASTM F436	24
8.	72061859	NUT .62-11 HEX ZINC NYLOK GR8	12
9.	76393799	MUD FLAP W/IMT LOGO 16H X 24W	2
REV. B			

Door Assembly (99905142)



ITEM NO.	LOCATION	BODY LENGTH	SIDE PACK HEIGHT	
			52" DOM III	60" DOM III
1.	LEFT VERT 1	ALL	71414310	71416613
2.	LEFT VERT 2	11'	71414308	71416617
2.	LEFT VERT 2	14'	71414310	71416613
3.	LEFT VERT 3	14'	71414308	71416617
4.	LEFT HORIZONTAL W / LATCH	11' & 14'	71414322	71414324
5.	LEFT HORIZONTAL W / O LATCH	11' & 14'	71414341	71414343
6.	LEFT REAR	ALL	71414307	71416616
7.	RIGHT VERT 1	ALL	71414310	71416613
8.	RIGHT VERT 2	11'	71414312	71416614
8.	RIGHT VERT 2	14'	71414310	71416613
9.	RIGHT VERT 3	14'	71414312	71416614
10.	RIGHT HORIZONTAL W / LATCH	11' & 14'	71414322	71414324
11.	RIGHT HORIZONTAL W / O LATCH	11' & 14'	71414341	71414343
12.	RIGHT REAR	ALL	71414307	N / A
13.	WORKBENCH	ALL	60126276	60126276
14.	4 PER HINGE	ALL	72601652	
14.	2 PER HINGE	CRANE BOX	72601653	
15.	3 PER HINGE	ALL	72062194	
16.	1 PER HINGE	ALL	72062264	
17.	ALL HINGES	ALL	72661383	

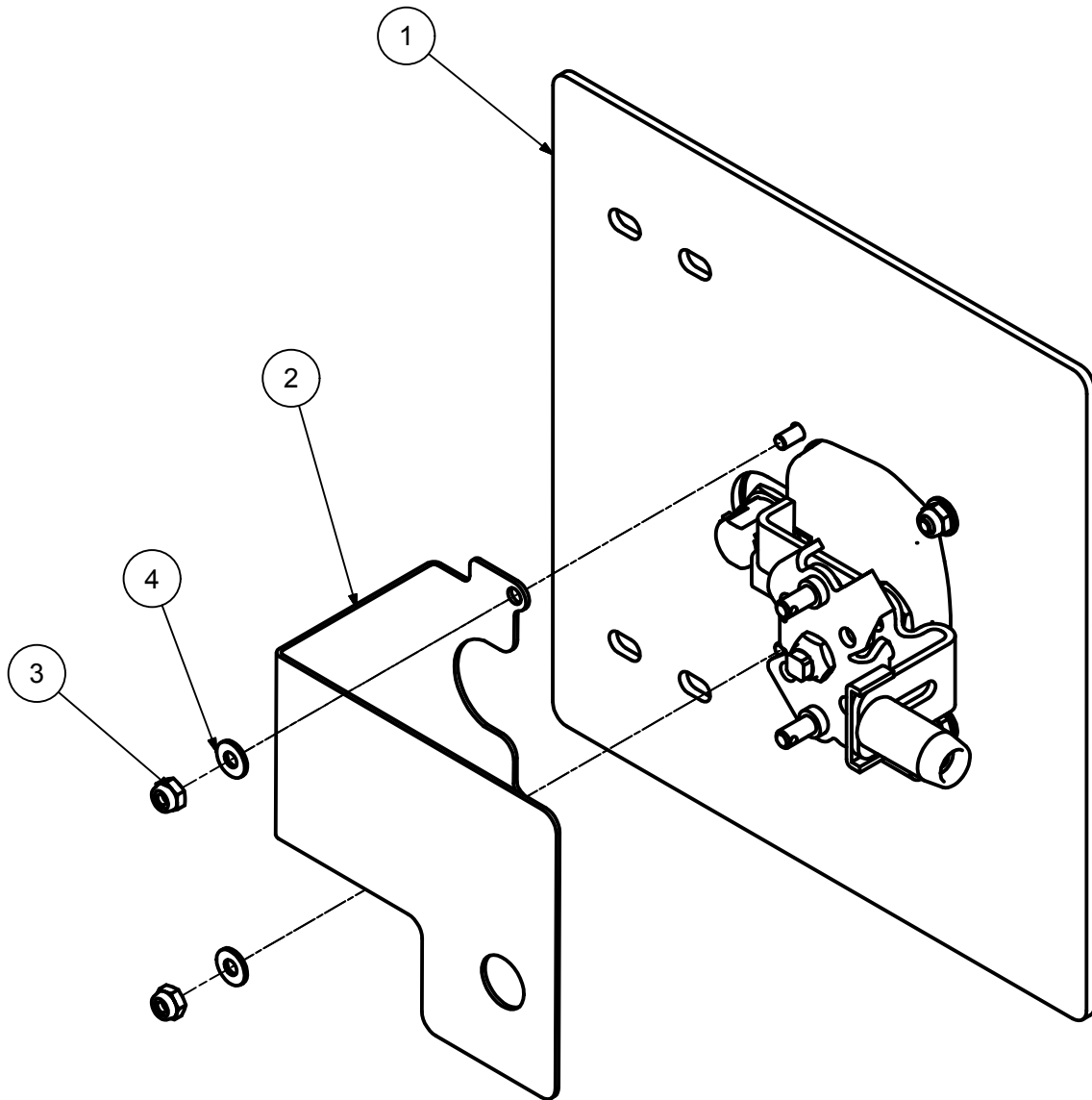
Door Latch Installation (99906023)



99906023 PARTS LIST

ITEM NO.	PART NO.	DESCRIPTION	QTY.
1.	REF	DOOR-HEM DS3 SGL	1
2.	72661713	LATCH ASM-SPT COMPRESSION-STAMPED	1
3.	72062106	NUT #10-24 HEX GR2 Z NYLOCK	4
4.	72063268	WASHER-FLAT #10 W ANSI B27.2 Z	4
REV. C			

WORKBENCH LATCH GUARD (99906281)



99906281 PARTS LIST

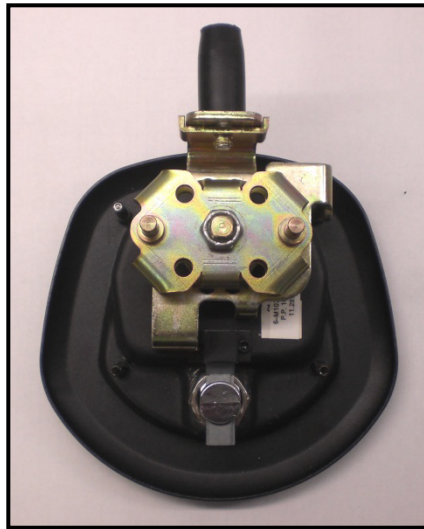
ITEM NO.	PART NO.	DESCRIPTION	QTY.
1.		DOOR WORKBENCH (Reference)	1
2.	60145209	GUARD - DOOR LATCH	1
3.	72062123	NUT-SS #10-24 NYLOC	4
4.	72063181	WASHER-FLAT #10 WRT TYPE 304SS	4
REV. A			
Effective: 1-1-2018			

Key Cylinder Replacement

The Dominator III service vehicle uses door latch assembly 72661599, on all compartment doors. Upon installation, the latch assemblies have a common key cylinder; however, the key cylinders can be changed so compartments use different keys. This feature allows different Dominator III compartments to have different keys, thus increasing security.

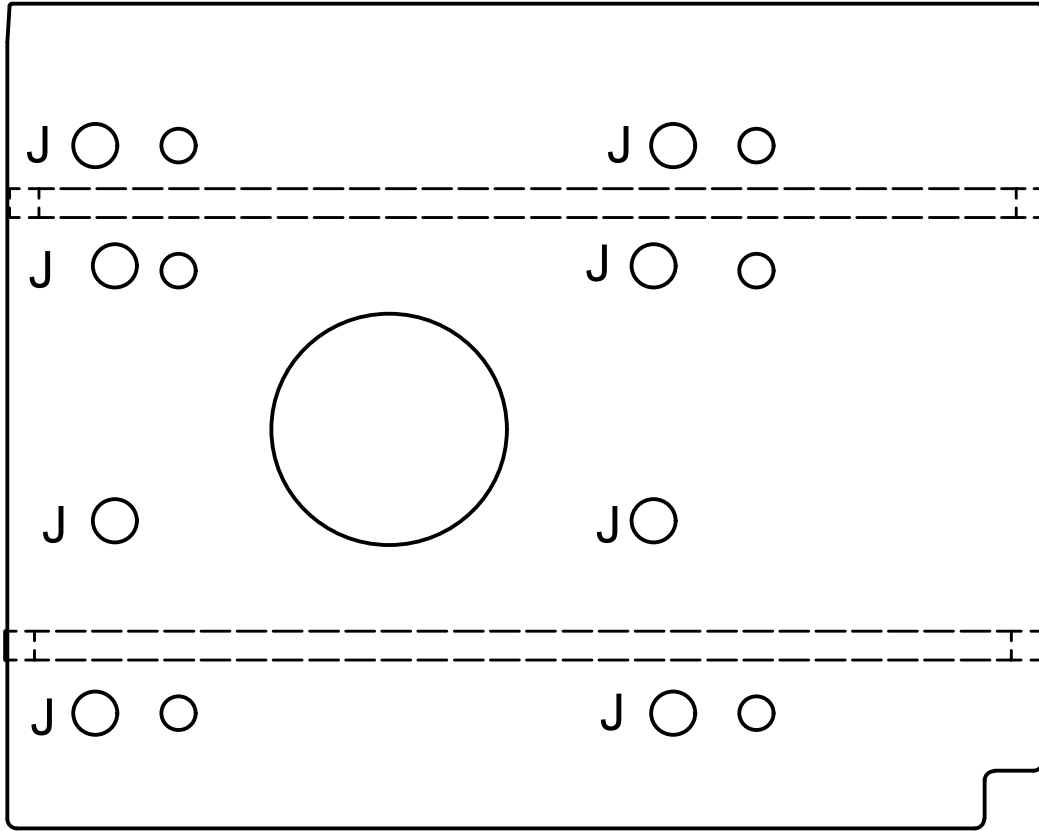
LATCH ASSEMBLY (72661599)	
72661713	Latch assembly (shown below)

STANDARD KEY CYLINDER	
72661727	Cylinder / key compression latch J223



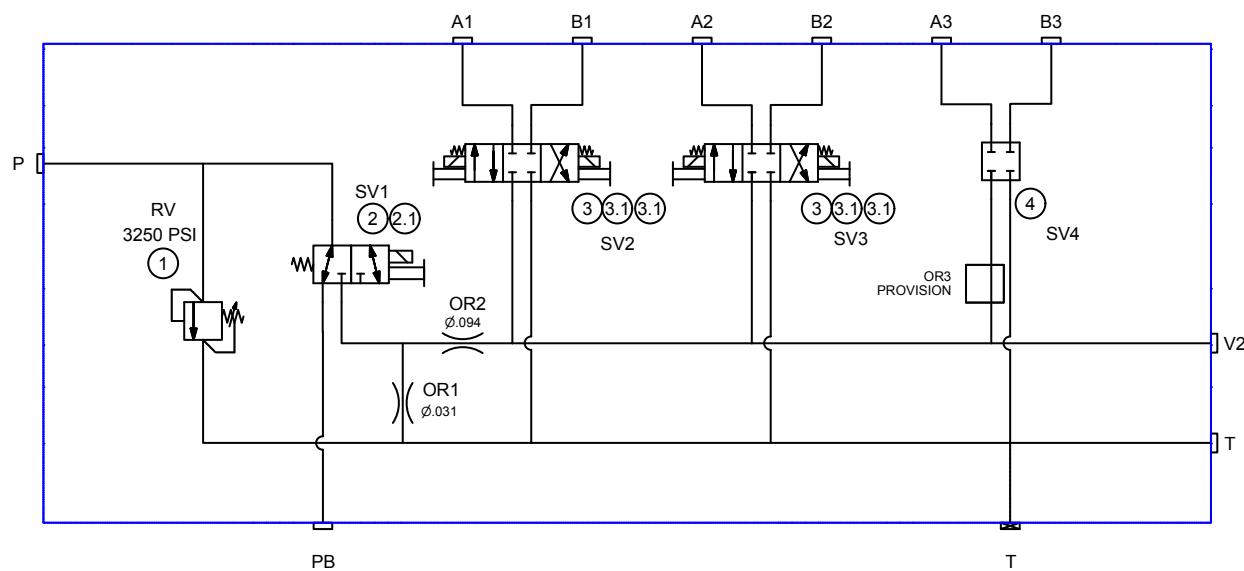
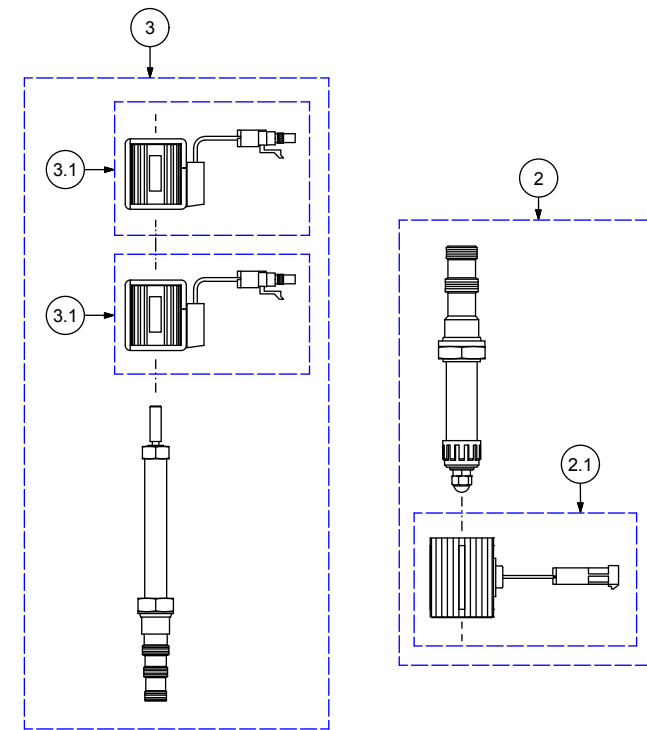
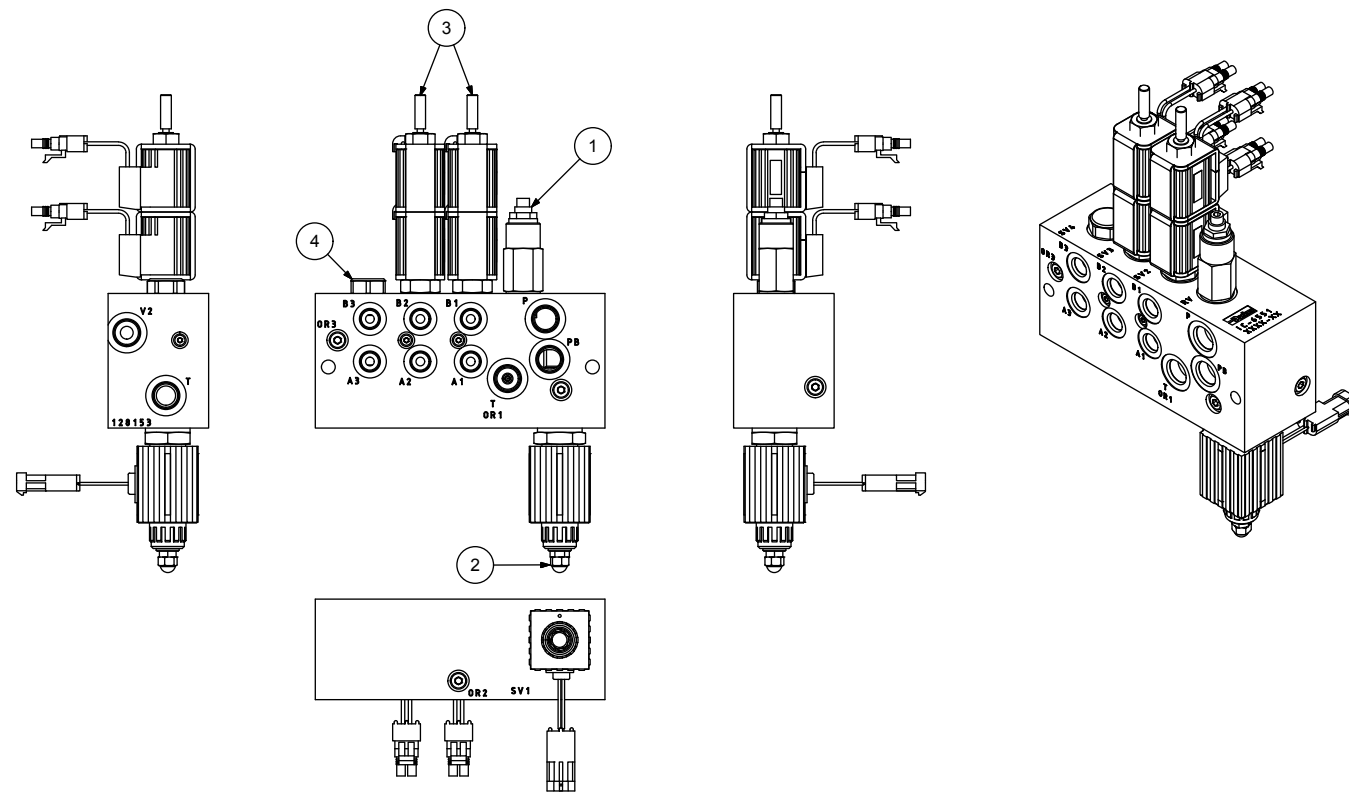
ALTERNATE KEY CYLINDERS	
72661728	Cylinder / Key Compression Latch J201
72661729	Cylinder / Key Compression Latch J202
72661730	Cylinder / Key Compression Latch J203
72661731	Cylinder / Key Compression Latch J204
72661732	Cylinder / Key Compression Latch J205
72661733	Cylinder / Key Compression Latch J206
72661734	Cylinder / Key Compression Latch J207
72661735	Cylinder / Key Compression Latch J208
72661736	Cylinder / Key Compression Latch J209
72661737	Cylinder / Key Compression Latch J210

Dominator III Crane Installation Hole Pattern (99905219)



HOLES	CRANE MODEL
J	10000S / 10000 / 12000

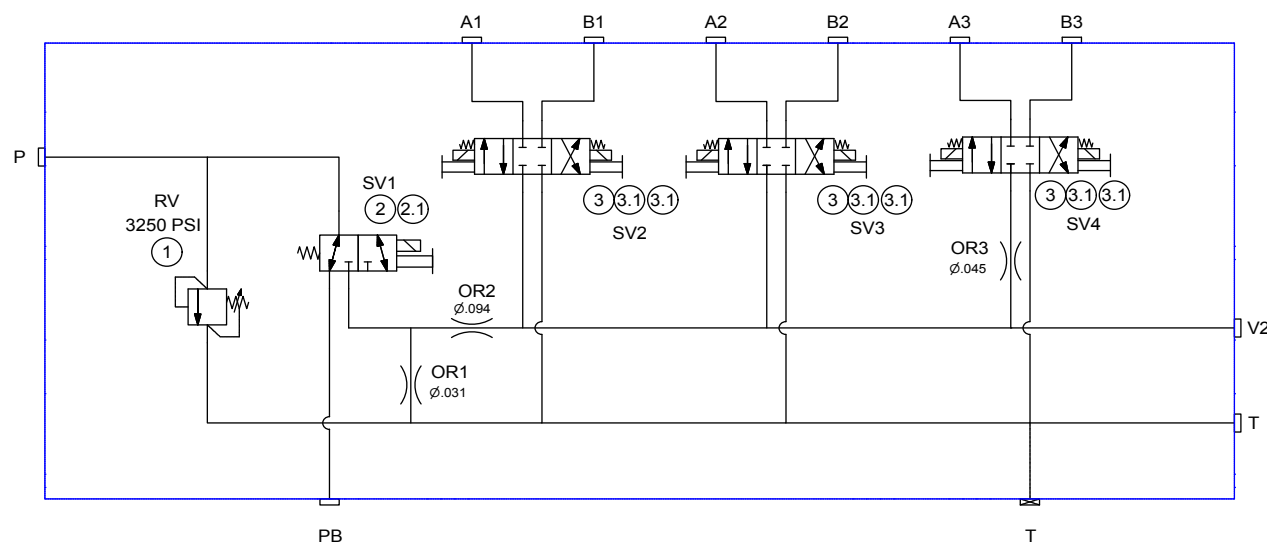
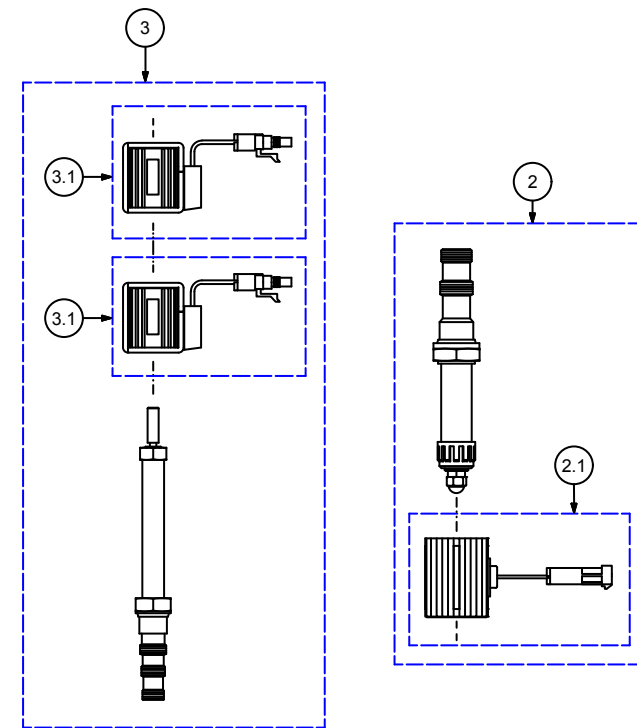
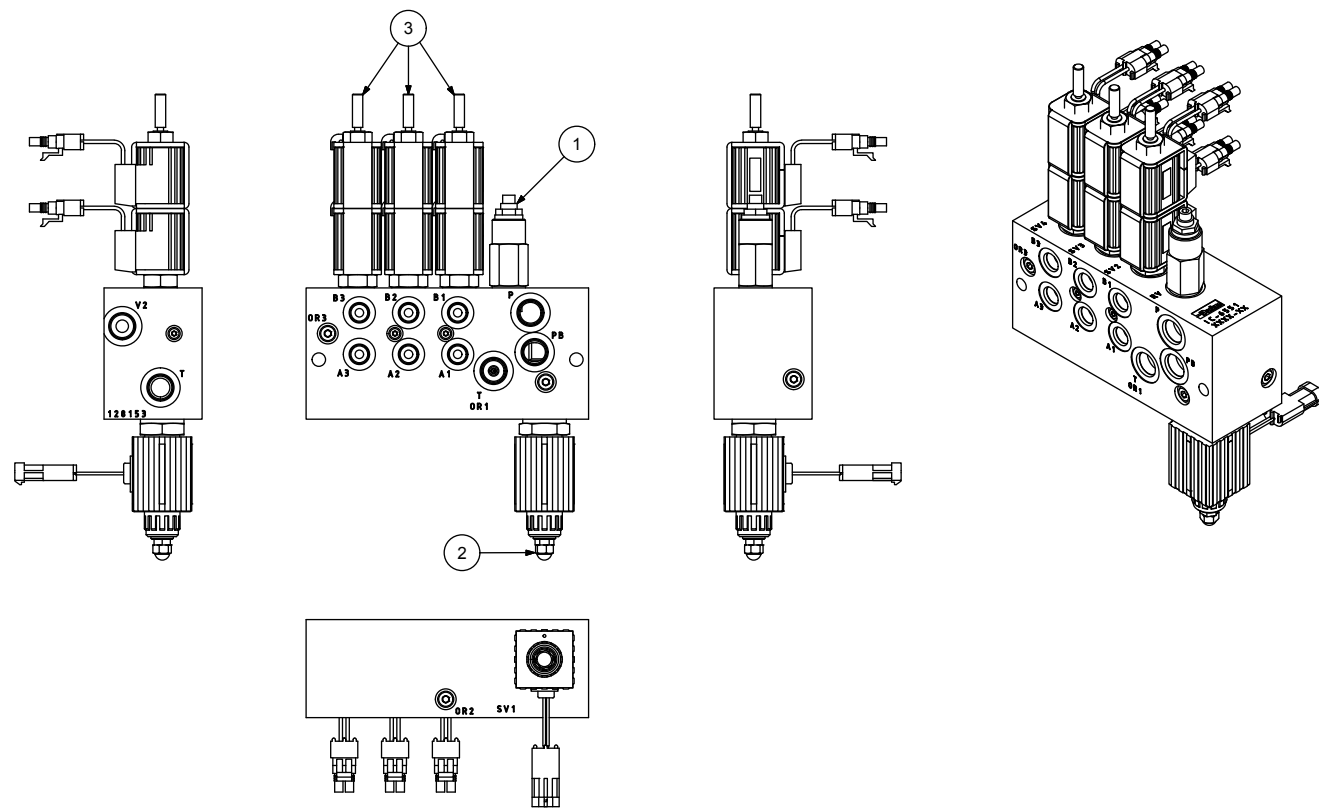
Stabilizer - Valve Bank - Power Down (73734228)



ITEM NO.	PART NO.	DESCRIPTION	QTY.
1.	73540269	VALVE-RELIEF 3200 PSI	1
2.	73540270	VALVE-3W2P C1230 12VDC SS MPKRD W IMTOVR	1
2.1.	77040499	COIL-12VDC 36W PACKARD MALE FOR 73540270	1
3.	73540271	VALVE-4W3P C10-4 CYL 12VDC FPKRD W OVRD	2
3.1.	77040498	COIL-12VDC PACKARD FEMALE SC 5/8" ID	2 PER
4.	71415487	CAVITY PLUG C10-4 ALL PORTS BLOCKED	1
REV. B			

NOTES:
 1. PORT SIZES:
 SAE -8: P, PB, T, V2, T
 SAE -6: A1, B1, A2, B2, A3, B3
 2. MANIFOLD IS CLEAR ANODIZED ALUM. 6061-T65

Stabilizer - Valve Bank - Power Out Down (73734229)



ITEM NO.	PART NO.	DESCRIPTION	QTY.
1.	73540269	VALVE-RELIEF 3200 PSI	1
2.	73540270	VALVE-3W2P C1230 12VDC SS MPKRD W IMTOVR	1
2.1.	77040499	COIL-12VDC 36W PACKARD MALE FOR 73540270	1
3.	73540271	VALVE-4W3P C10-4 CYL 12VDC FPKRD W OVRD	3
3.1.	77040498	COIL-12VDC PACKARD FEMALE SC 5/8" ID	2 PER

REV. B

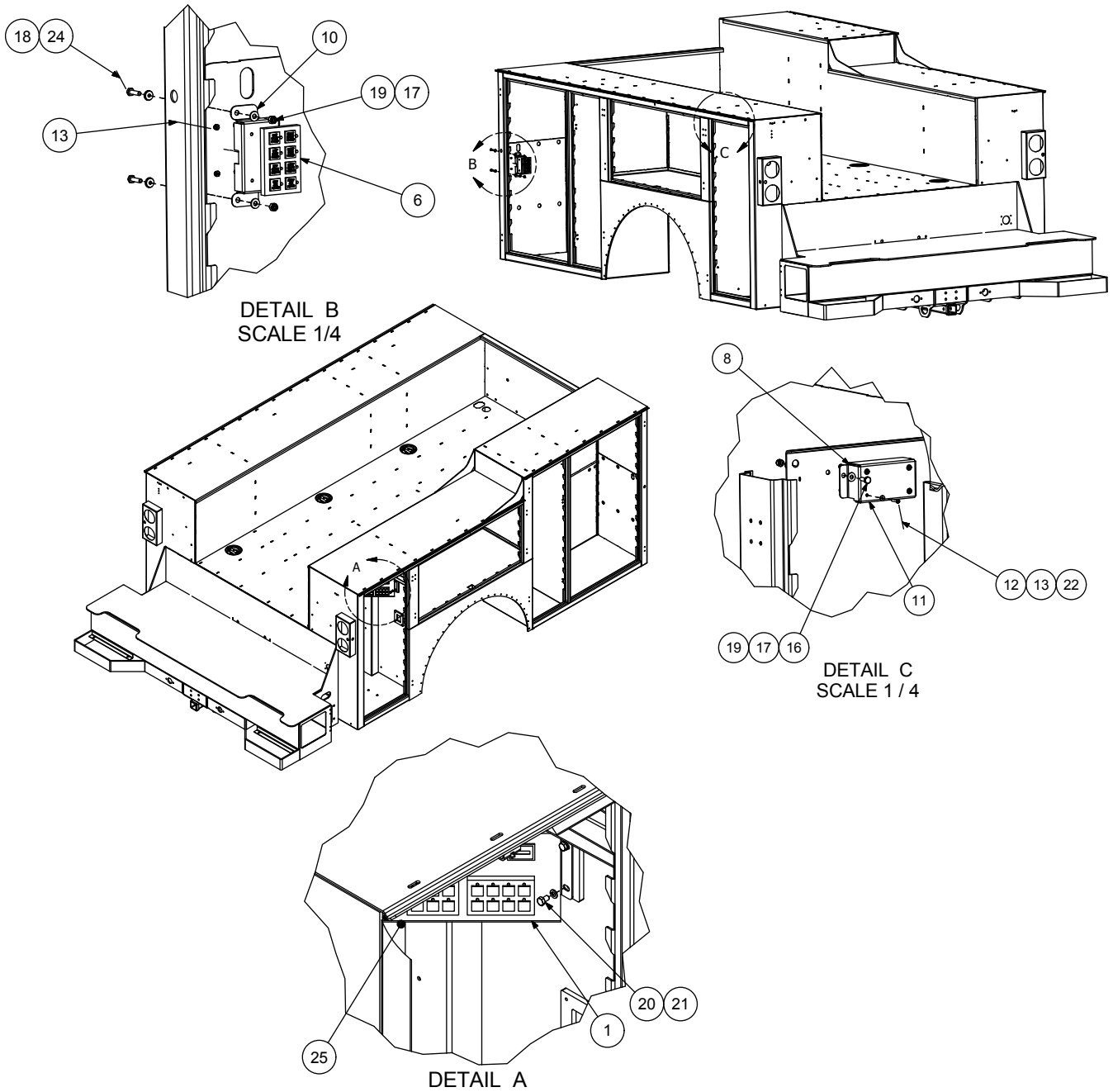
NOTES:
 1. PORT SIZES:
 SAE -8: P, PB, T, V2, T.
 SAE -6: A1, B1, A2, B2, A3, B3.
 2. MANIFOLD IS CLEAR ANODIZED ALUM. 6061-T65.

This page left intentionally blank

Electrical & Lighting

Section - 4

Electrical Panel (99905112)

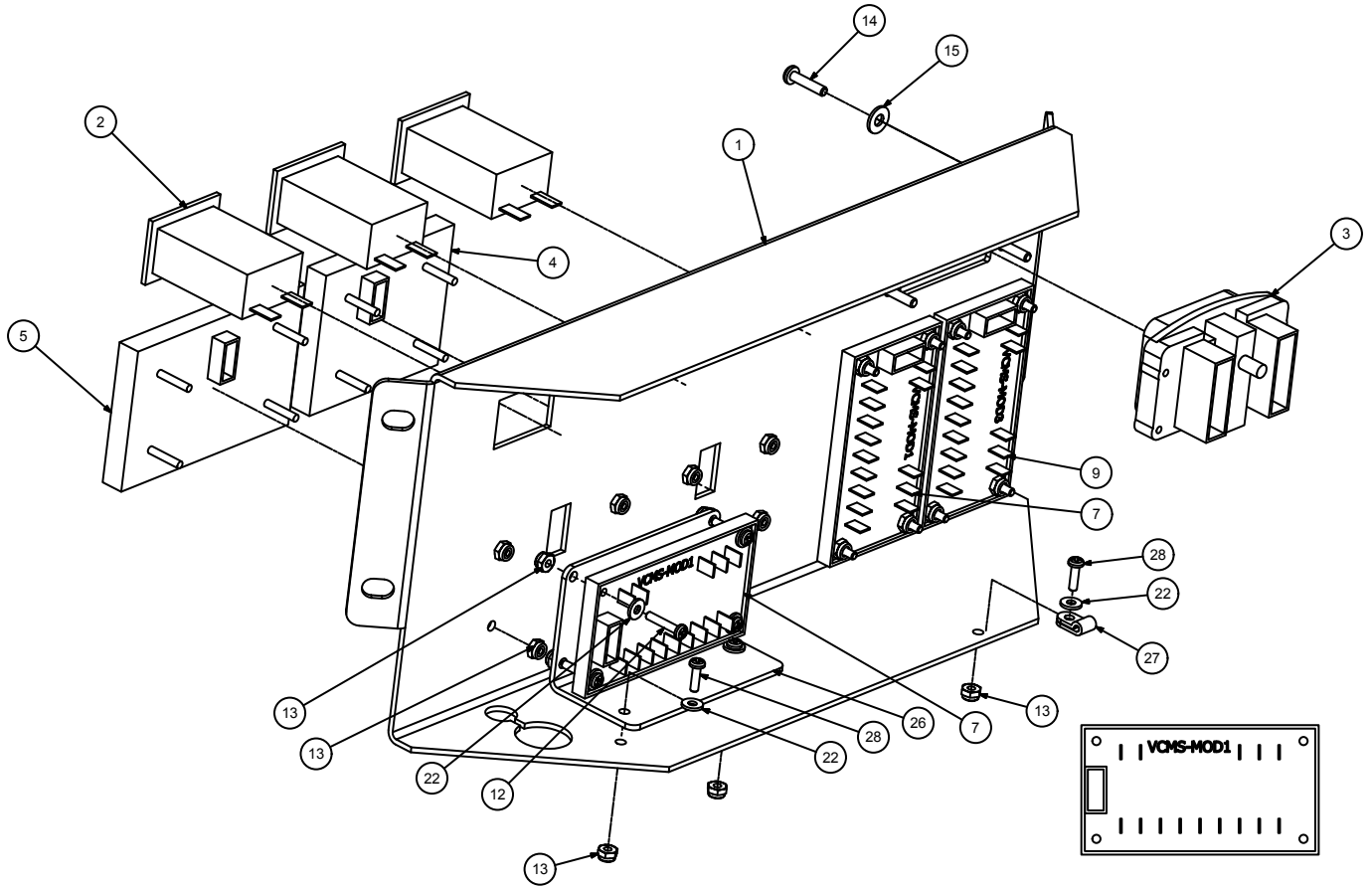


NOTE:
COVER ANY OPEN BATTERY TERMINALS ON POWER MODULES WITH 77040389 FLAG.

99905112 PARTS LIST

ITEM NO.	PARTS NO.	DESCRIPTION	QTY.
1.	60136408	PANEL-ELECTRICAL CONTROL DOM 1&2 (S3)	1
6.	77041878	SWITCH PANEL-DOM S3 8 POSITION (SLAVE)	1
8.	77041875	POWER MODULE-DOM S3 MODULE 2	1
10.	60136431	BRACKET - AUX SWITCH PANEL	1
11.	60136430	BRACKET - AUX POWER MODULE	1
12.	72601704	SCR-MACH # 6-32X .75 RDH	16
13.	72601726	NUT 6-32 HEX NYLOCK	31
16.	72060002	CAP SCR .25-20X .75 HH GR5 Z	2
17.	72063001	WASHER .25 FLAT	6
18.	76392820	WASHER-BONDED PLTD .25	2
19.	72062104	NUT .25-20 HEX NYLOCK	4
20.	72060021	CAP SCR .31-18X .50 HH GR5 Z	4
21.	72063050	WASHER .31 LOCK	4
22.	72601705	WASHER #6 W FLAT ANSI B27.2	19
24.	72060004	CAP SCR .25-20X 1.00 HH GR5 Z	2
25.	70399114	DECAL-ELEC PANEL DOM 1-2 SIII	1
REV. B			

99905112-1

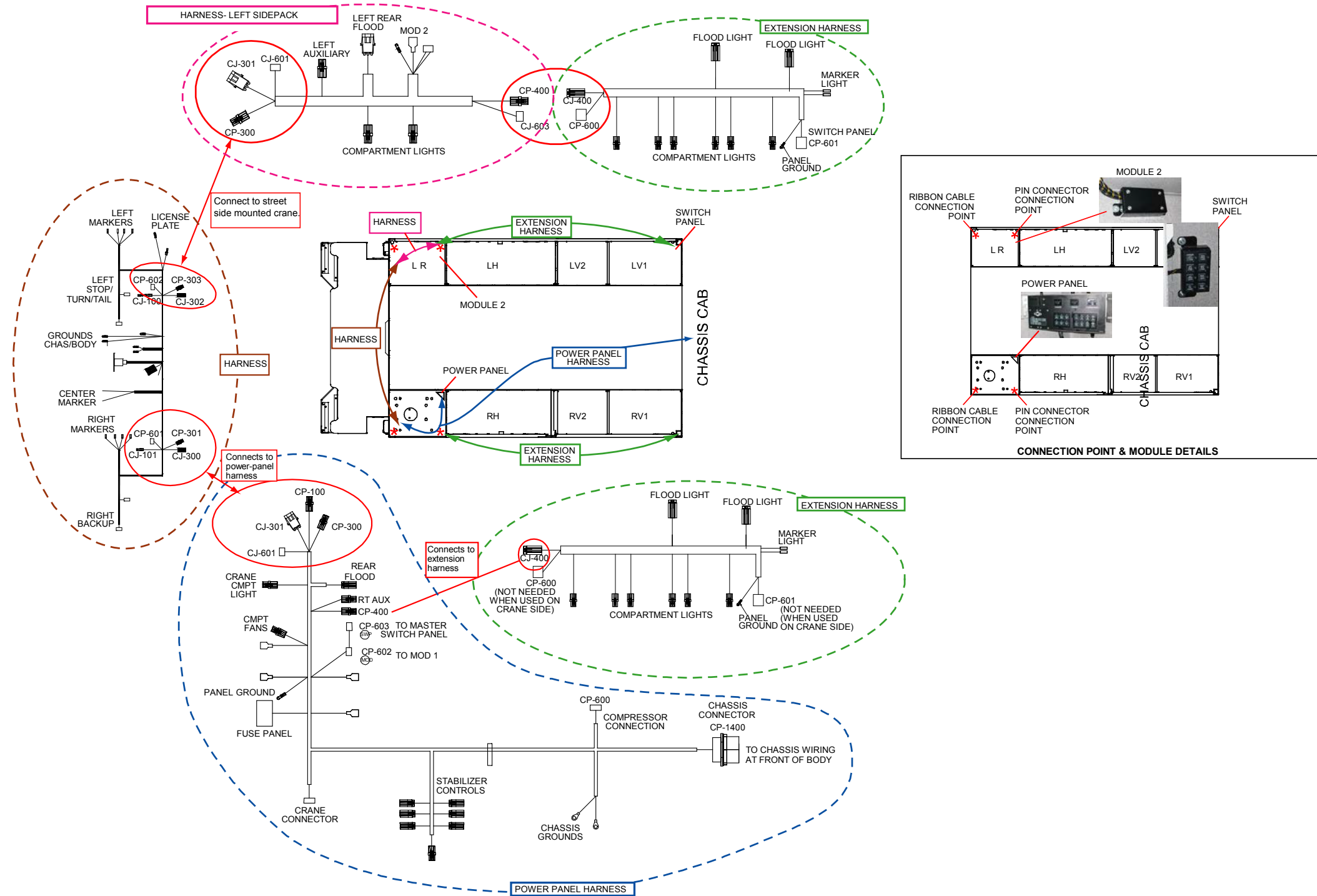


99905112-1 PARTS LIST

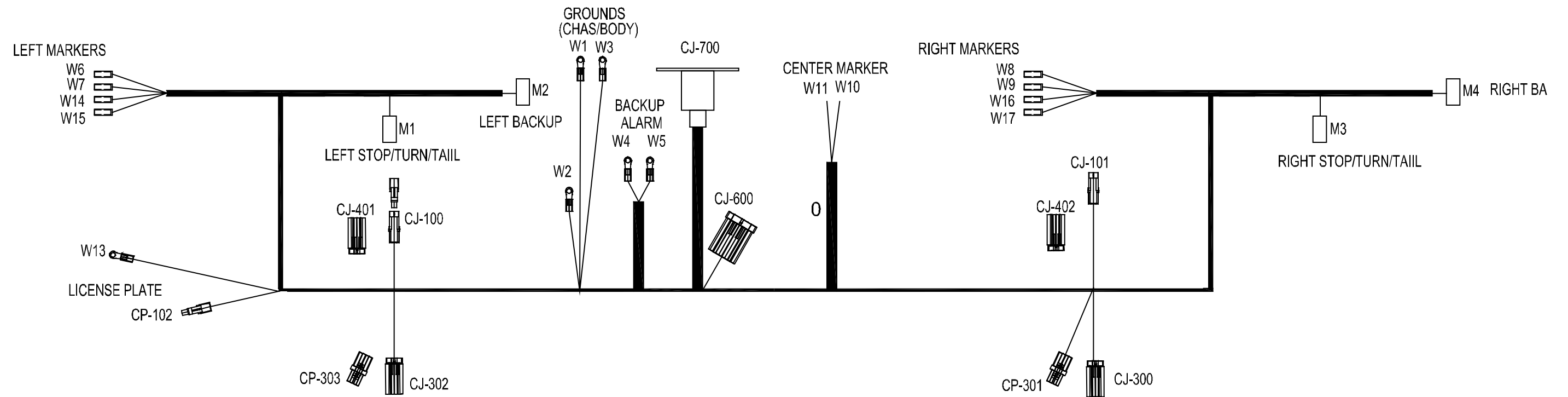
ITEM NO.	PART NO.	DESCRIPTION	QTY.
1.	60136408	PANEL-ELECTRICAL CONTROL DOM 1&2 (S3)	1
2.	70733496	METER-HOUR DATCON PUSH LOCK MOUNTING	3
3.	77441516	HARNESS-DOM 1-2 S3 POWER PANEL	A/R
3.	77441544	HARNESS-DOM 1-2 S3 POWER PANEL 9-11'	A/R
4.	77041871	SWITCH PANEL-DOM S3 6 POSITION	1
5.	77041872	SWITCH PANEL-DOM S3 8 POSITION (MASTER)	1
7.	77041874	POWER MODULE-DOM S3 MODULE 1	2
9.	77041877	POWER MODULE-DOM S3 MODULE 3A	1
12.	72601704	SCR-MACH # 6-32X .75 RDH	16
13.	72601726	NUT 6-32 HEX NYLOCK	31
14.	72060612	SCR-MACH # 8-32X .75 RDH	4
15.	72063181	WASHER-FLAT #10 WRT TYPE 304SS	4
22.	72601705	WASHER #6 W FLAT ANSI B27.2	19
26.	60251676	ANGLE-AL .10X2.38X2.00X 3.98	1
27.	72661724	CLAMP-NYLON .12 CABLE	1
28.	72601725	SCR-MACH # 6-32 .50 RDH PHLPS	3
REV. B			

Wiring Installation

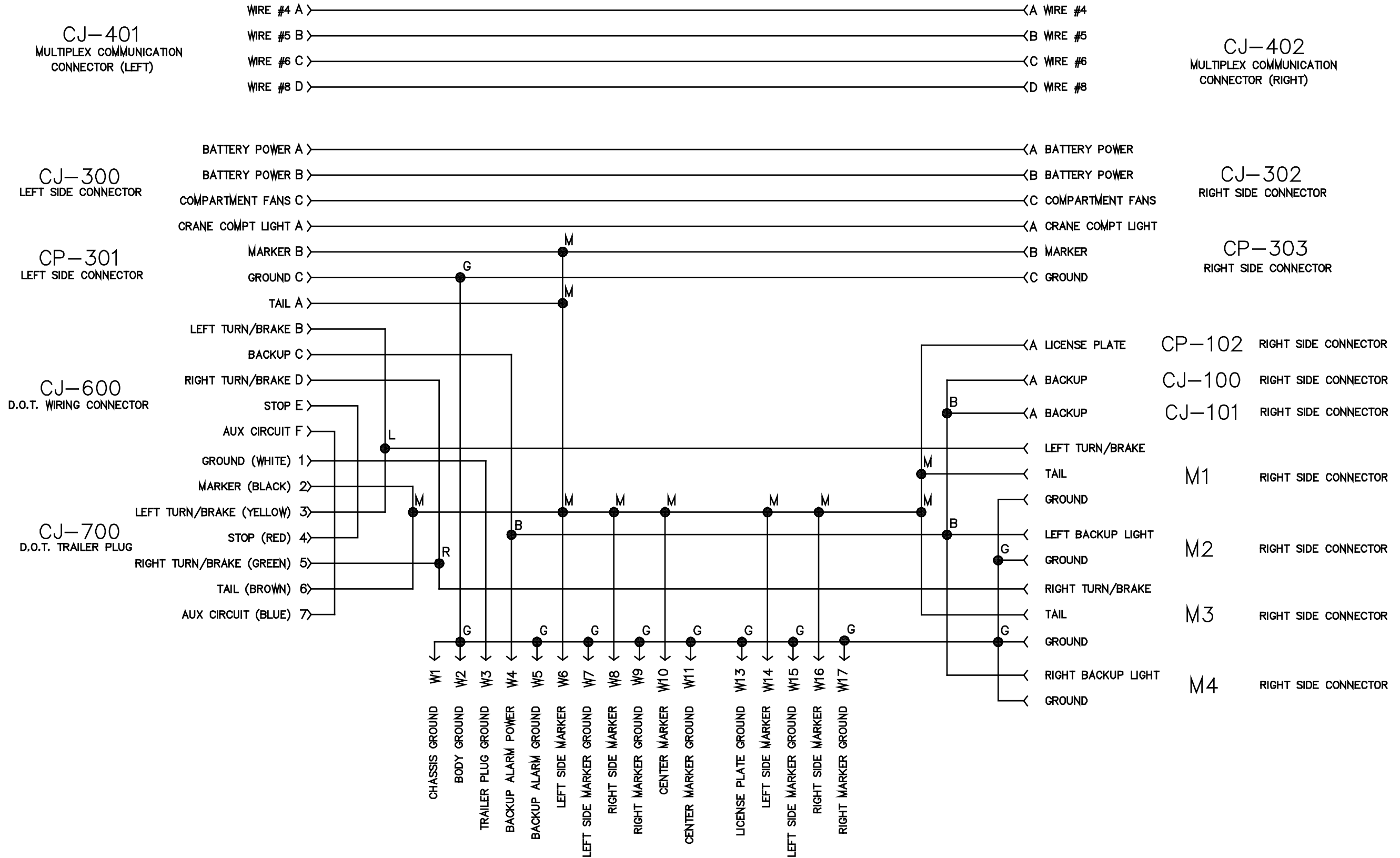
HARNESS ROUTINGS & CONNECTION POINTS



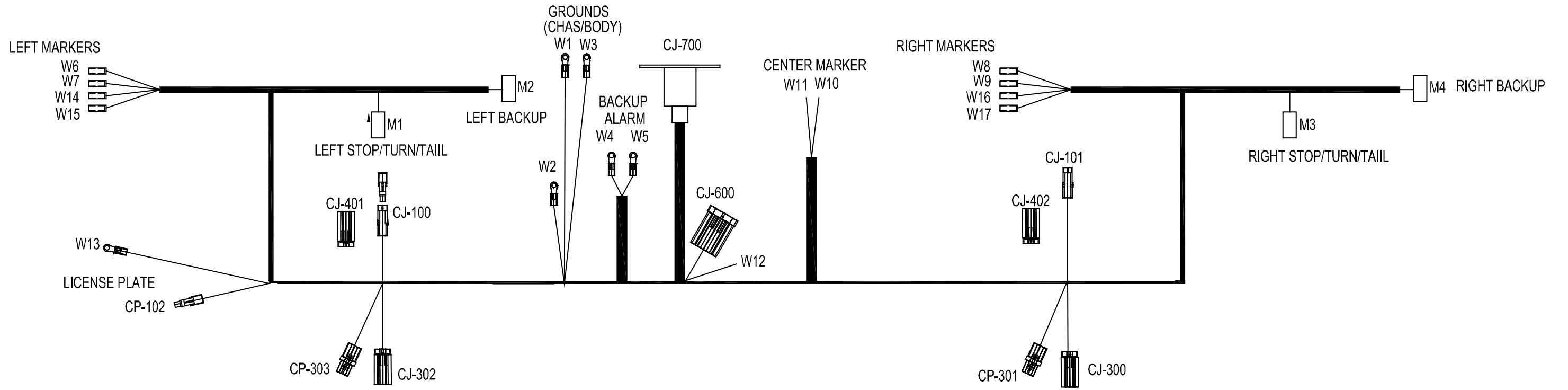
Harness - Dominator III, Stp / Tail / Trn / Mrk 7BI (77441598)



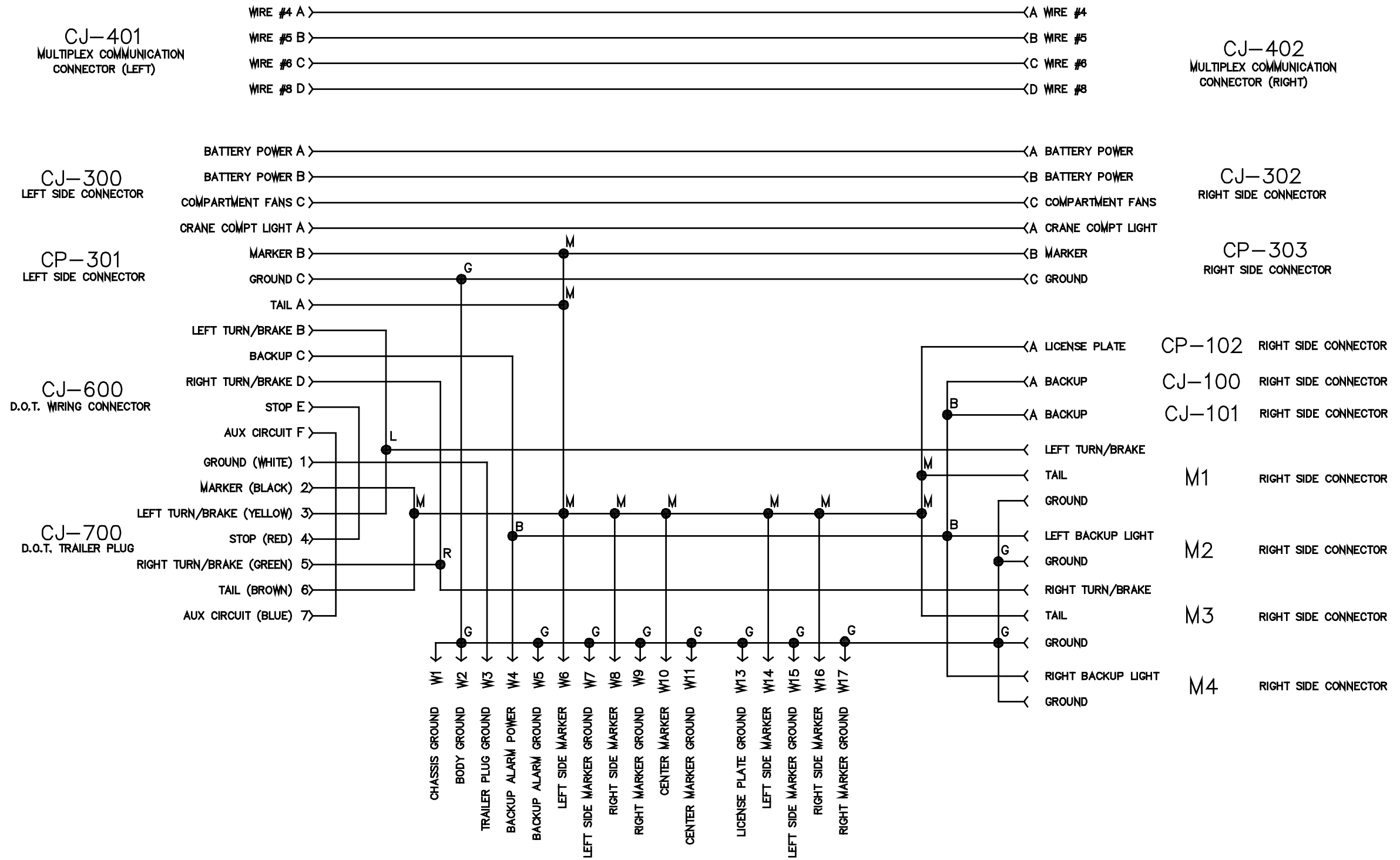
7441598-1



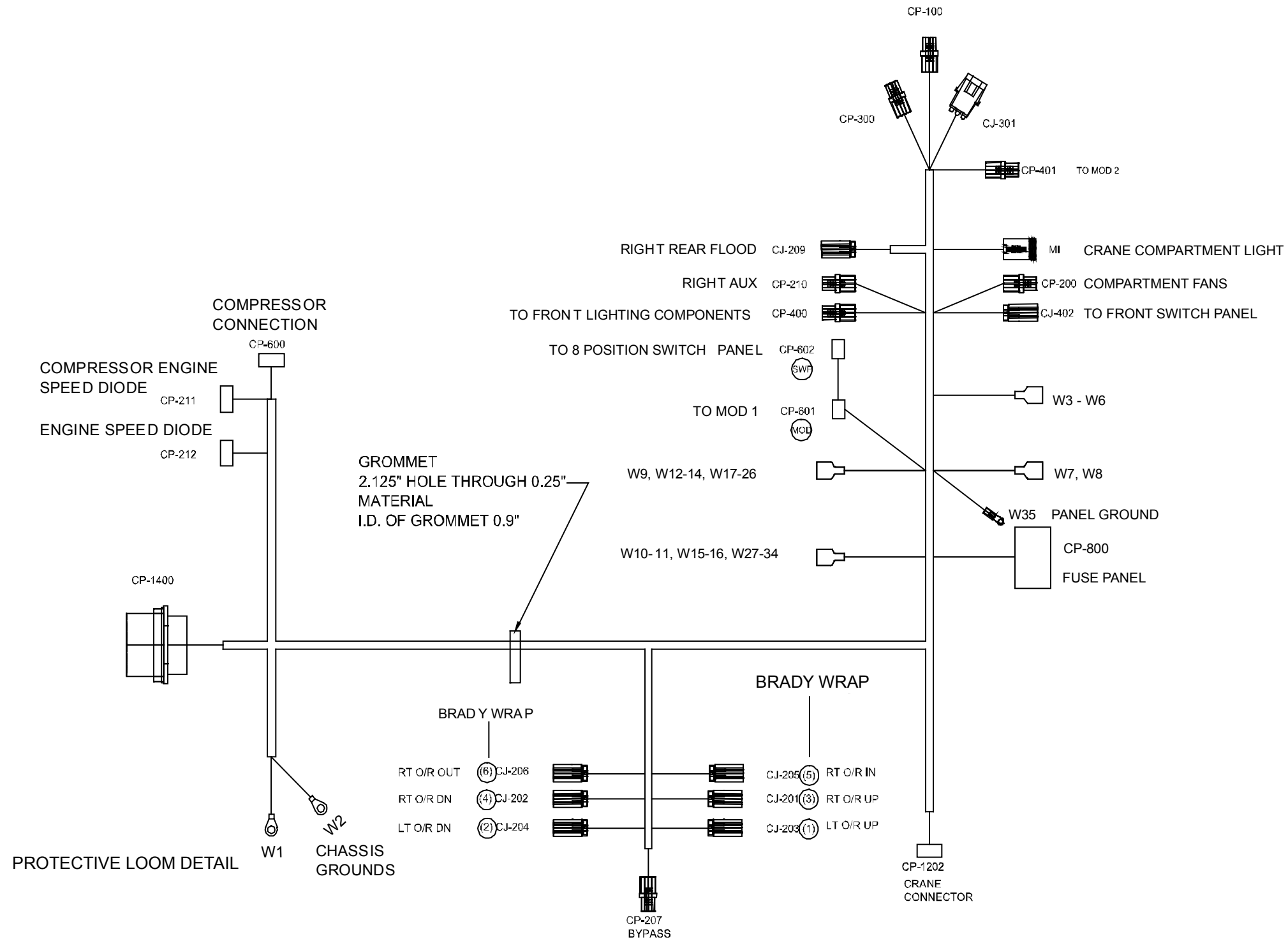
Harness - Dominator III, Stp / Tail / Trn / Mrk In WB (77441647)



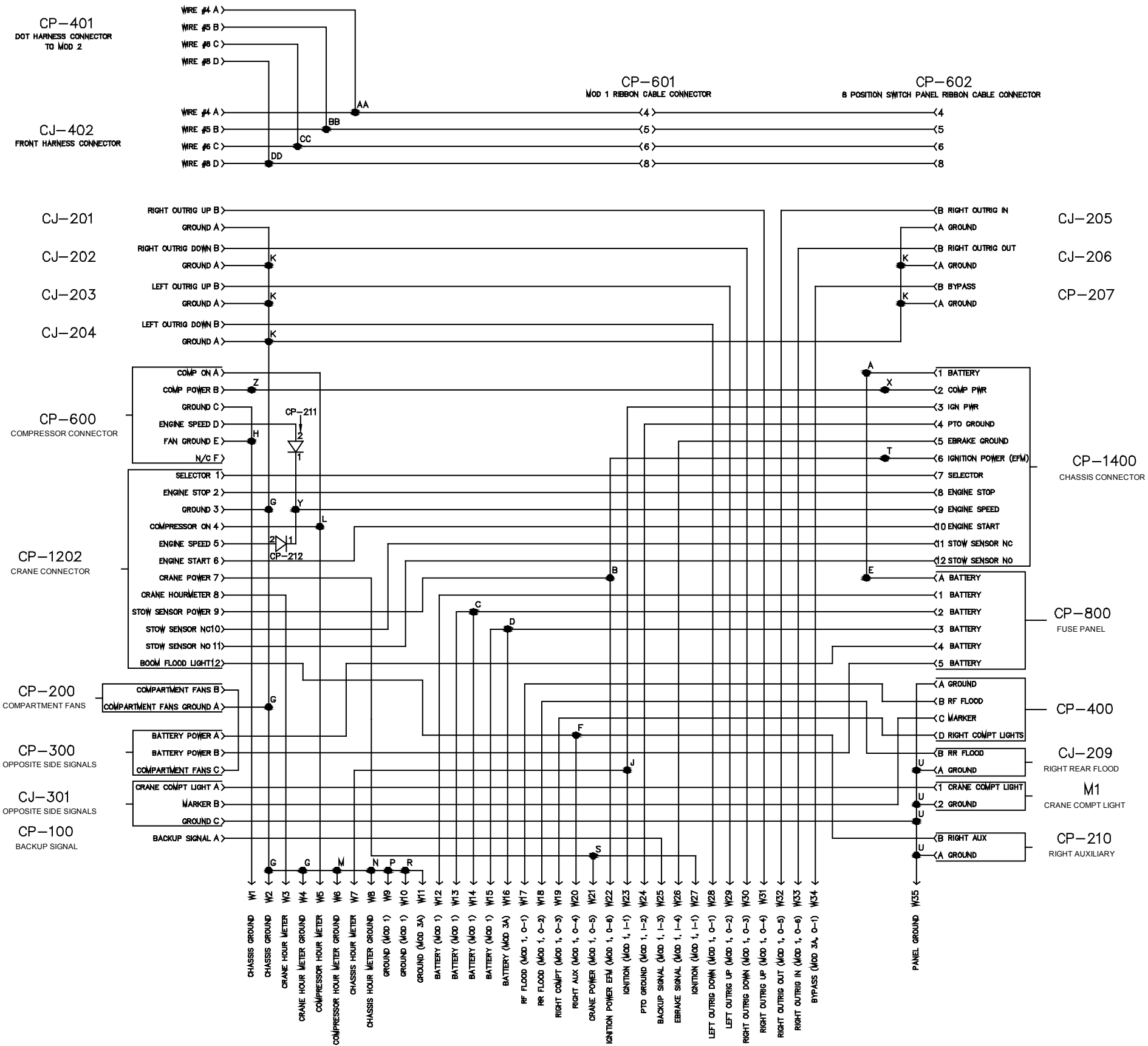
77441647-1



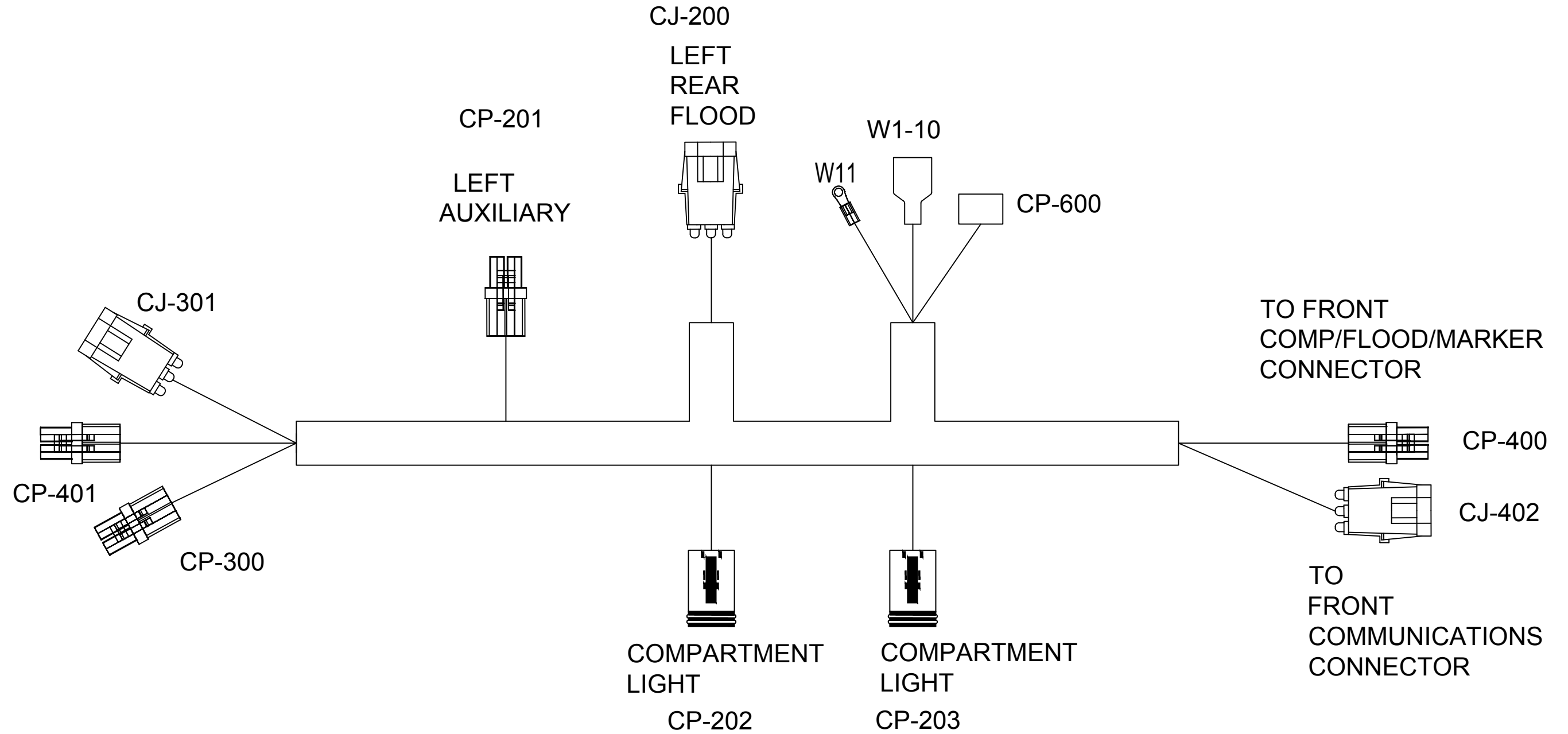
Electrical Harness, Power Panel, Dominator III (77441610)



77441610-1

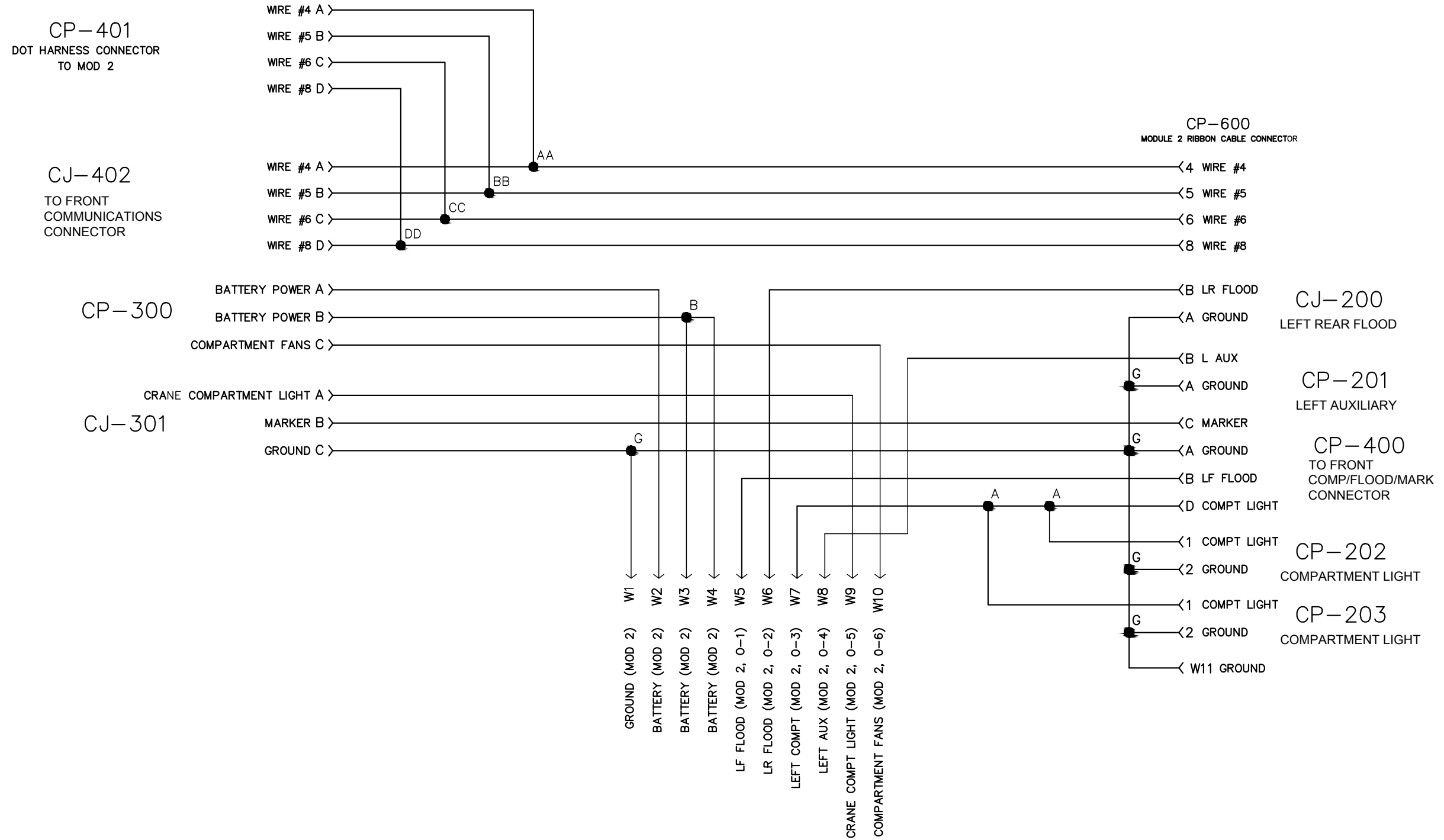


Electrical Harness, Left Sidepack (77441609)

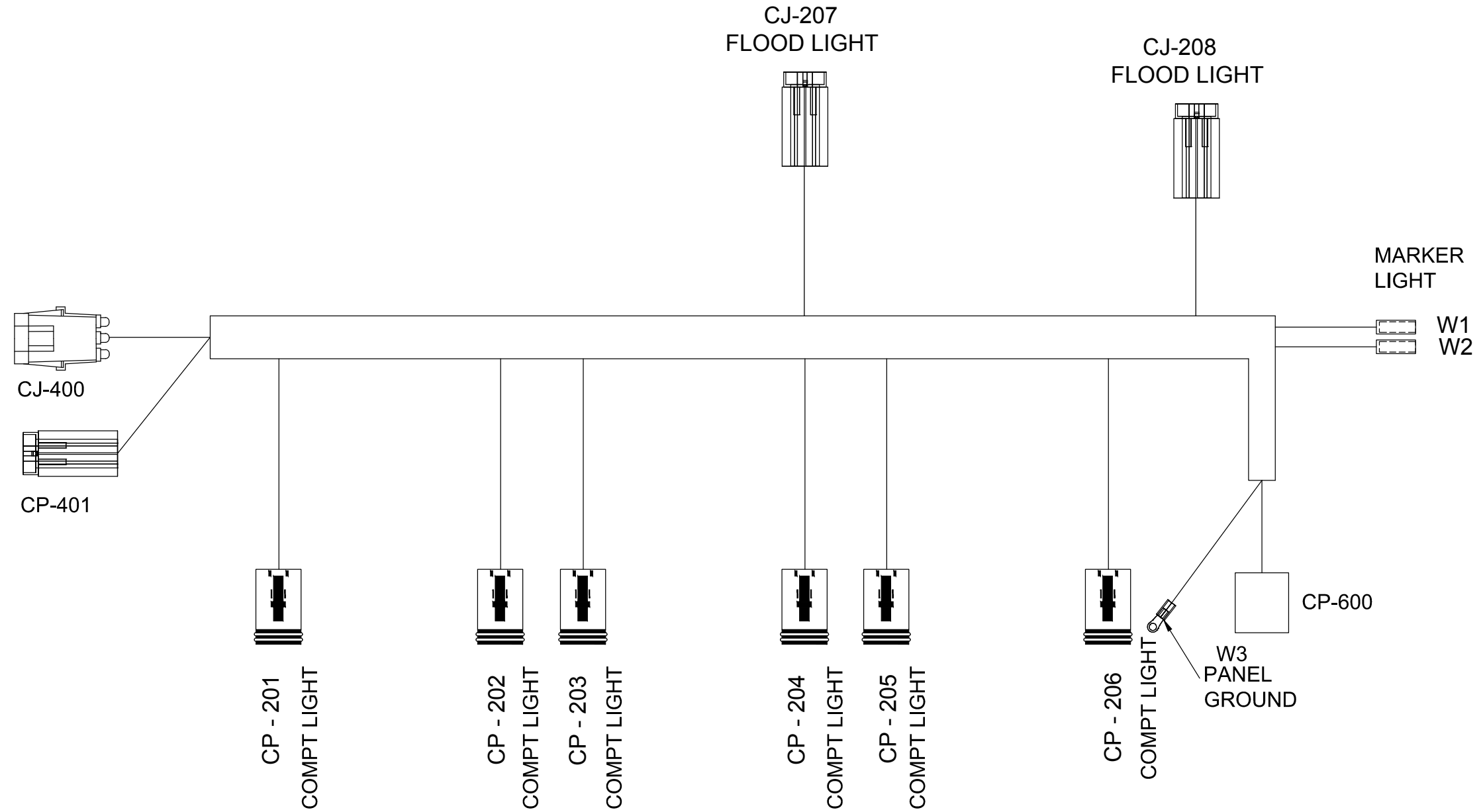


77441609-1

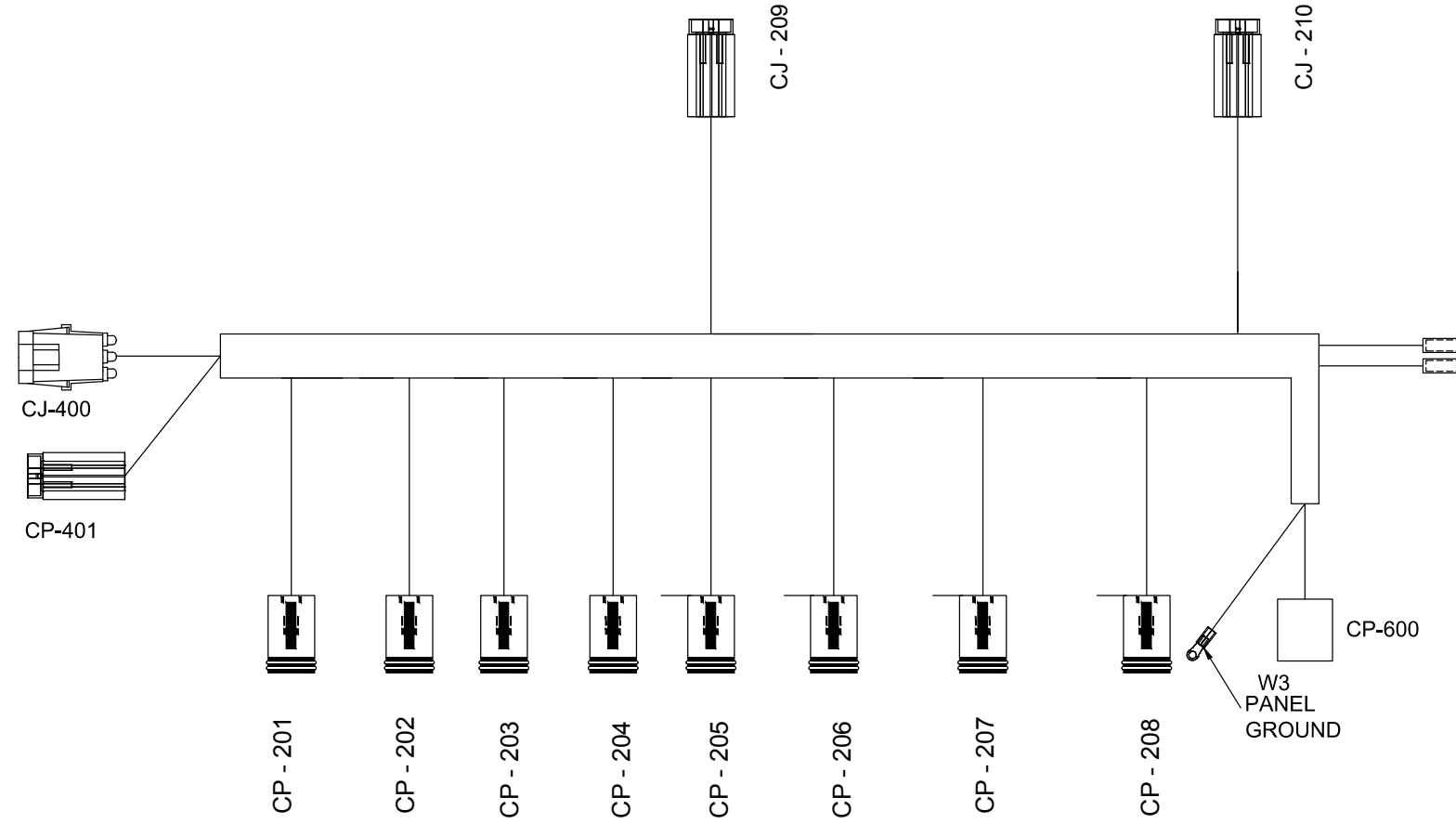
COMMUNICATION WIRING



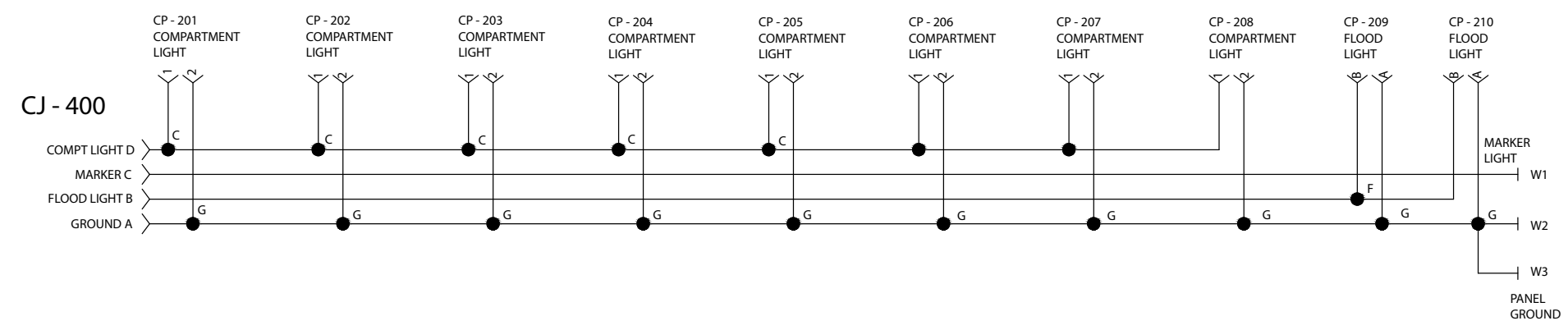
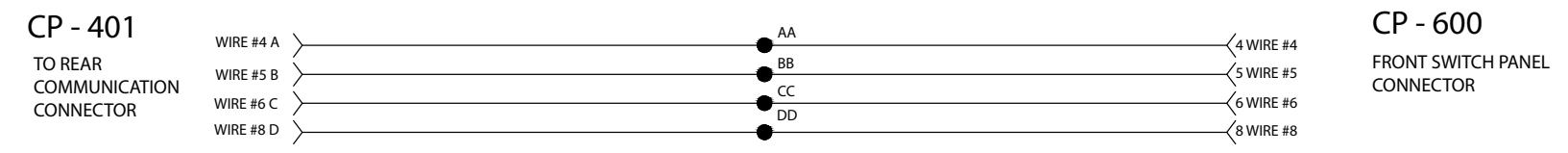
Dominator III- 11', Flood & Marker Lights (77441612)



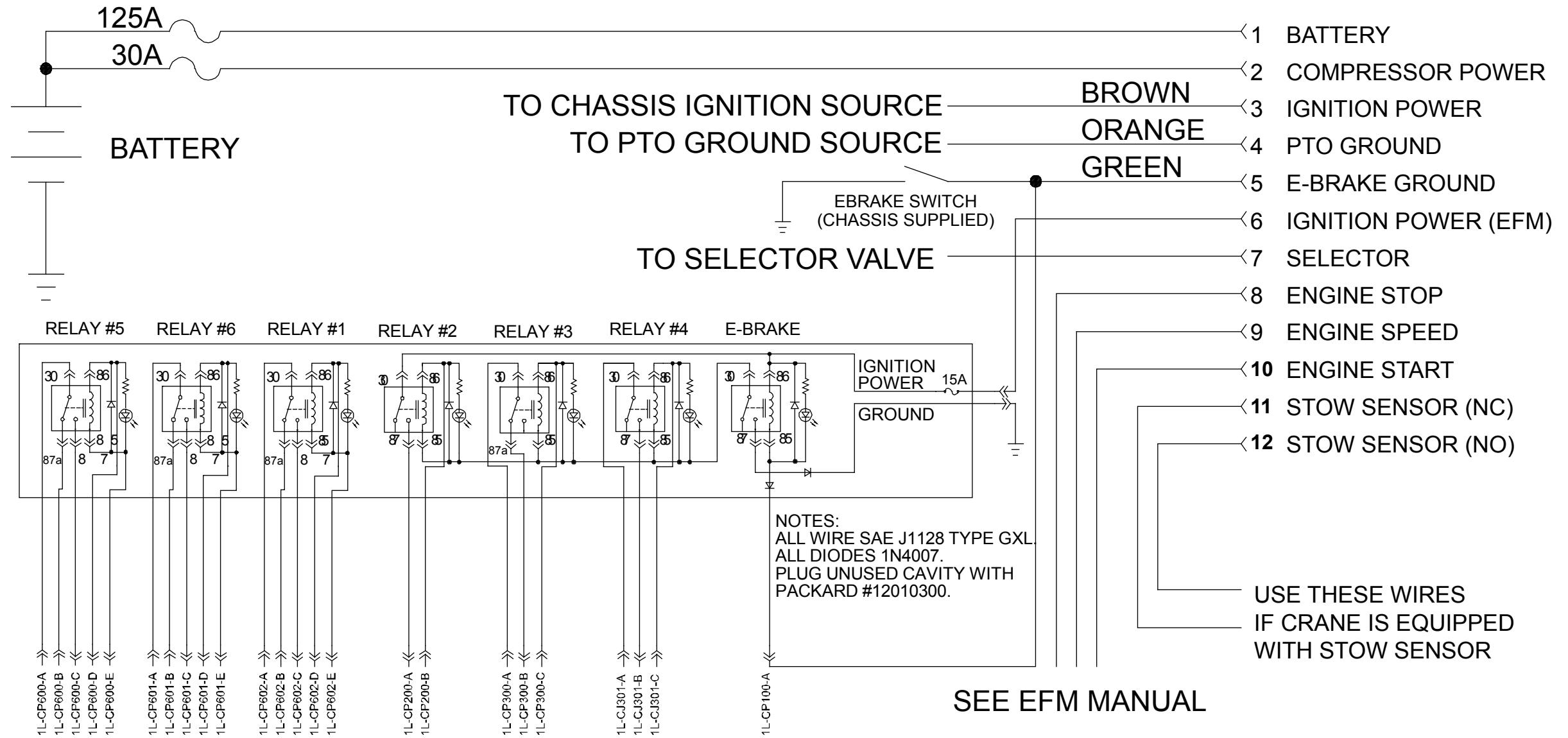
Dominator III - 14', Flood & Marker Lights (77441613)



COMMUNICATION WIRING



Chassis Interface Installation (99905369)



Harness to Harness Connection Chart

Harness	Connects To	Location of Connection	Connection Points	
			77441514 Harness	Power Panel Harness
77441514 - Rear Harness (Tail Lights, Marker Lights)	Power Harness (77441610 -Dom I-II) (77441517 -Dom III-IV)	Crane Compartment	CJ – 101	CP - 100
			CJ – 300	CP - 300
			CP – 301	CJ - 301
			CP – 601	CJ - 601
			Power Panel Harness	Extension Harness
Power Panel Harness (77441610 Dom I-II) (77441517 – Dom III-IV)	Extension harness to front marker, flood lights: 77441611 – 9' 77441612 – 11' 77441613 – 13' & 14' 77441614 – 19'	Front of Crane compartments	CP – 400	CJ - 400
			Not used when connecting to extension harness.	CP - 600
			77441514 Harness	77441609 Harness
77441514 Rear Harness (Tail Lights, Marker Lights)	77441609 - Left Sidepack (Left side flood lights, compartment lights.	Compartment opposite crane compartment.	CJ – 100	Not used when connecting to 77441609 harness
			CJ – 302	CP - 300
			CP – 303	CJ - 301
			CP – 602	CJ - 601
			77441609 Harness	Extension Harness
77441609 – Left Sidepack	Extension harness to front marker, flood lights 77441611 – 9' 77441612 – 11' 77441613 – 13' & 14' 77441614 – 19'	Front of compartment opposite crane compartment	CP – 400	CJ- 400
			CJ – 603	CP - 600

Protective Sleeve Installation (70034573)

Please follow the instructions and illustrations below on how to install the protective sleeve on AMG fuse holders that are not fastened to the chassis or body with metal fasteners.



Step 1: Place the protective sleeve under the fuse holder, centering the holder with the protective sleeve.



Step 2: Securely wrap the two ends of the protective sleeve together making sure velcro is sealed on the top side of the front jump start plug holder.



Step 3: Securely zip tie both ends of the protective sleeve.

WARNING

For trucks without a battery disconnect switch, to prevent accidental vehicle start-up, which could cause death or serious injury, disconnect battery cables (negative cable first) before proceeding. Disconnect negative (-) battery cable first, if positive (+) cable should contact ground with negative (-) cable connected, the resulting sparks can cause a battery explosion, which could result in death or serious injury.

AMG FUSE HOLDERS REQUIRING PROTECTIVE SLEEVE	
PART NO.	DESCRIPTION
77041593	FUSE HOLDER-AMG 1 POS W-COVER HMG-221
77441116	FUSE HOLDER-AMG 1 POS W-COVER FMG-211
77040714	FUSE HOLDER-AMG AND MEGA 500 AMP W/COVER

CAUTION

AVOID POSSIBLE FIRE!
Visually inspect and verify no other fuse holder posts are coming in contact with the chassis. The contact of a fuse to a grounded structure can cause a potentially dangerous short circuit. Failure to inspect and verify the fuse holder posts could result in a fire.

SAFETY NOTICE

Use appropriate Personal Protective Equipment (PPE) as required by your company. Read and understand the following instructions found within this document prior to starting work on the chassis.

SAFETY NOTICE

Follow your company's Lock-Out/Tag-Out procedures to prevent the truck from being started or moved while performing work on this crane. If your company does not have a Lock-Out/Tag-Out procedure, follow OSHA 1910.147, Lock-Out/Tag-Out.

Dominator III Electrical Troubleshooting

LIGHT & AUXILIARY FUNCTIONS:

TROUBLESHOOTING STEPS	DESIRED RESULTS	RESOLUTION
Verify that the vehicle ignition and e-brake are both ON.	Blue back light for the lighting functions on the Dominator switch panel should be lit.	If blue back light does not light, there is not operational power to the switch panel.
Press any light function on the Dominator switch panel.	If light function is getting a signal, a red LED should light above the switch.	If red LED does not light, check the fuses in the fuse panel at the front of the switch panel. Replace if required.
Check the ribbon cable connection to the front switch panel, located in the front left compartment.	Ribbon should be securely connected and not pinched.	<ul style="list-style-type: none"> • Connect if disconnected. • Replace if pinched.
Check the ribbon cable connection to the power module, located in the rear left compartment.	Ribbon should be securely connected and not pinched.	<ul style="list-style-type: none"> • Connect if disconnected. • Replace if pinched.
Check the ribbon cable connection on the back of the power panel.	Ribbon should be securely connected and not pinched.	<ul style="list-style-type: none"> • Connect if disconnected. • Replace if pinched.
Test the modules in the panel, in the right rear compartment, and at the switch panel.	Replace any faulty module(s).	Contact IMT Technical Support for further assistance if the troubleshooting steps do not resolve the problem.

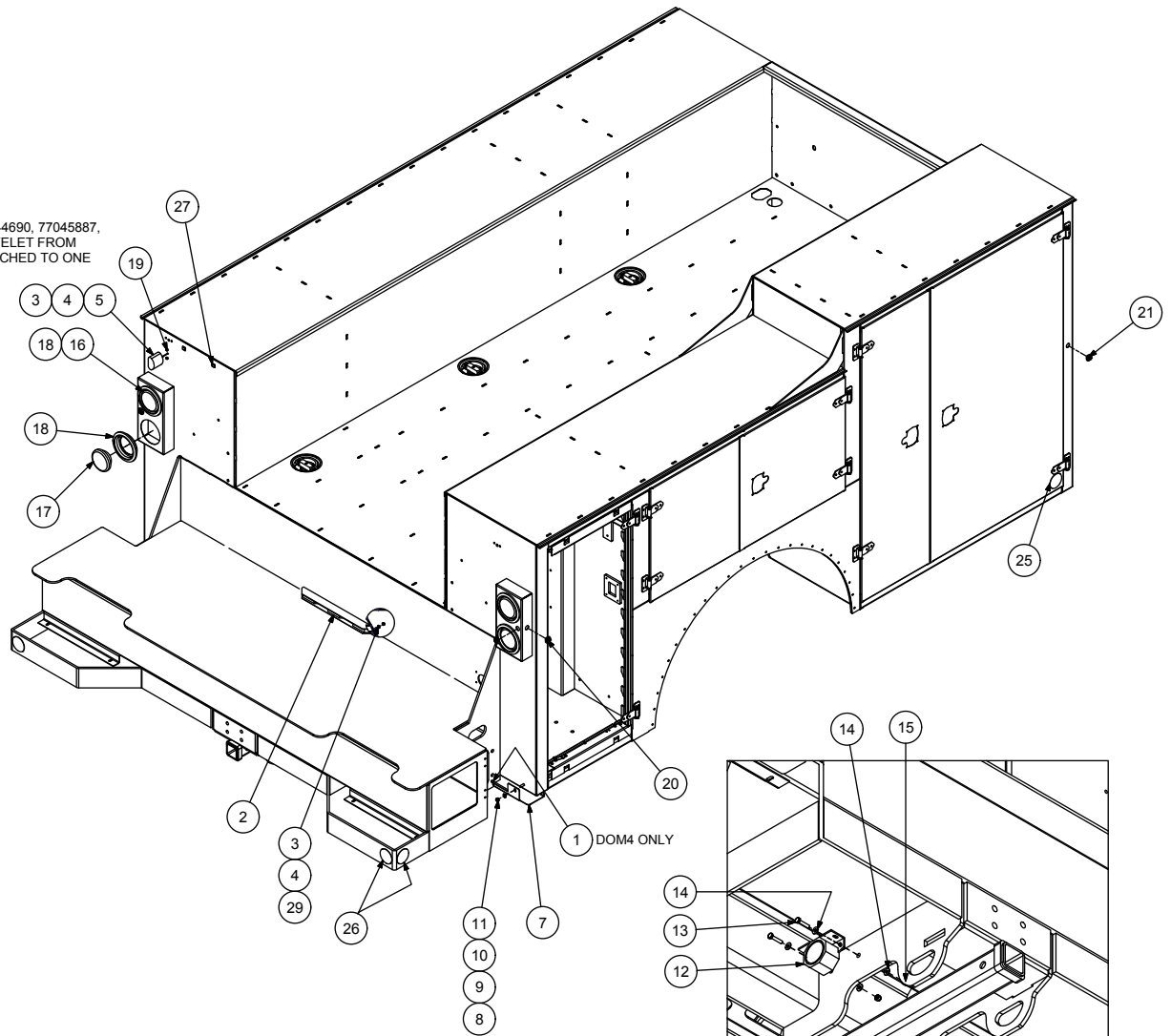
Dominator III Electrical Troubleshooting (continued)

STABILIZER FUNCTIONS:

TROUBLESHOOTING STEPS	DESIRED RESULT	RESOLUTION
Verify that the vehicle ignition is ON; the e-brake is set; and the PTO is engaged.	Blue back light for both the lighting functions and the stabilizer functions on the Dominator switch panel should be lit.	If neither blue back light is lit, check the operational power to the switch as described above.
If blue back light is lit for the lighting functions only, there may be a problem with the stabilizer modules on the switch panel. Remove the Dominator switch panel for further troubleshooting.	<ul style="list-style-type: none"> • Check for secure connections on the stabilizer ribbon cable. • Check the white PTO ground wire plugged into the vertical Mod 1 unit. • Check the I-1 wire (white) on the vertical Mod 1 unit. 	<ul style="list-style-type: none"> • Secure connections if loose. • Replace if pinched or damaged. • Secure connections if loose. • Secure connections if loose. If connections are secure, check for a 12v signal to the I-1 wire. • If there is a 12v signal, replace the Mod 1 unit. • Contact IMT Technical Support for further assistance if the troubleshooting steps do not resolve the problem.

Electrical Installation (99905307)

TERMINATE WITH 77044690, 77045887, 70394069. GROUND EYELET FROM HARNESS TO BE ATTACHED TO ONE OF THE SCREWS.



CHASSIS GROUND AND BODY GROUND EYELETS FROM LIGHTING HARNESS TO BE ATTACHED TO CHASSIS & BODY, RESPECTIVELY. TRAILER GROUND EYELET TO BE ATTACHED WITH BODY EYELET. PREPARE FRAME AND BODY SURFACES BY GRINDING AWAY PAINT. USE SUPPLIED 3/8" HARDWARE AND DRILL AS NECESSARY.

VIEW UNDER BUMPER

999905307 PARTS LIST

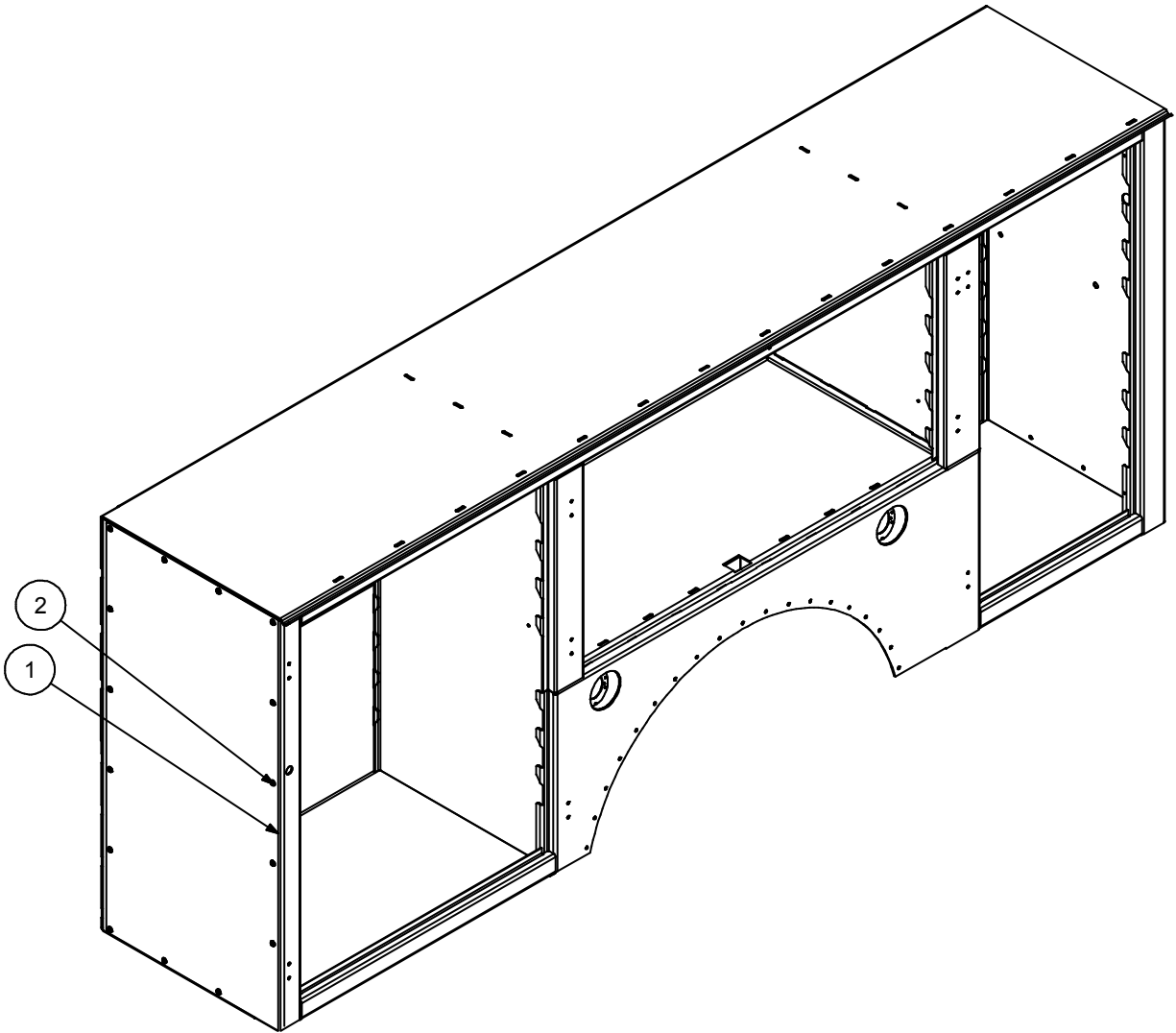
ITEM NO.	PART NO.	DESCRIPTION	KIT NO.	QTY.
1.	89396626	EDGING-PLASTIC BLK		A / R
2.	77040483	LIGHT-3 BAR LED D(I)	28	1
3.	72063000	WASHER .19 W FLAT ANSI B27.2Z	28	9
4.	72062106	NUT 10-24 HEX NYLOCK	28	8
5.	77441004	LIGHT-LICENSE PLATE PLASTIC FOR DOM 2002	28	1
6.	60130829	MTG BRKT-WIRE HARNESS D3 & D4		2
7.	60120705	MTG BRKT-WIRE HARNESS D1 & D2		2
8.	72060026	CAP SCR .31-18X 1.25 HH GR5 Z		6
9.	72063002	WASHER .31 FLAT		4
10.	76392598	WASHER-BONDED .31 PLTD		6
11.	72062109	NUT .31-18 HEX NYLOCK		4
12.	77040020	ALARM-BACK UP HORN	28	1
13.	72060005	CAP SCR .25-20X 1.25 HH GR5 Z	28	2
14.	72063001	WASHER .25 FLAT	28	4
15.	72062104	NUT .25-20 HEX NYLOCK	28	2
16.	77040493	LIGHT-STOP/TURN/TAIL LED 4"	28	2
17.	77040180	LIGHT-BACKUP 4in CLEAR	28	2
18.	76392275	GROMMET-RUBBER TAIL LIGHT 4.00	28	4
19.	72060636	SCR-MACH #10-24X .75 RDH PH ZINC	28	6
20.	77040616	LIGHT-CLEAR RED LED W/GROMMET		4
21.	77040615	LIGHT-CLEAR AMBER LED W/GROMMET	28	2
22.	72060044	CAP SCR .31-18X .75 HH GR5 Z	28	1
23.	72063003	WASHER .38 W FLAT ANSI B27.2Z	28	1
24.	72062103	NUT .38-16 HEX NYLOC ZINC	28	1
25.	70039058	REFLECTOR-AMBER RD PET20 490A	28	2
26.	70039057	REFLECTOR-RED RD PET20 490R	28	4
27.	51715985	KIT-LICENSE PLATE HARDWARE	28	1
28.	51723807	DS3-ELEC KIT D.O.T. XOVER DOM III		1
29.	72060639	SCR-MACH 10-24X 1.25 RDH	28	2
REV. E				

This page left intentionally blank

General Information

Section - 5

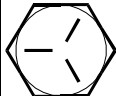

Aluminum Rock Guards

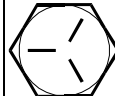



ITEM NO.	PART NO.	DESCRIPTION	QTY.
1.	60251811	GUARD-ROCK .06 ALUM DOM(II) 44H W-BEND	REF
2.	72661226	RIVET-AL .257 DIA X .38 GRIP	AR
REV. INITIAL RELEASE			

KIT NO.	PRODUCT	CONFIG	44”H SDPK 60251811	52”H SDPK 60251830	60”H SDPK 60251810	52”H SKPK- 24”D 60251844	60”H SDPK- 24”D 60251842
51724683	DSC 20, DOM 1	44”H	2				
51724684	DSC20, DOM 1	44”H 60”H	1		1		
51724685	DSC20, DOM1, DOM2, DOM3	60”H			2		
51724686	DOMCS, DOM2, DOM3	52”H		2			
51724687	DOMCS, DOM2, DOM3	52”H 60”H		1	1		
51724688	DOM4	52”H		1		1	
51724689	DOM4	52”H 60”H		1	2		1
51724690	DOM4	60”H					1
KIT NO.	PRODUCT	CONFIG	22” H UBTB 60251843		60”H COMPT 60251406		
51726574	WELDER DECK	22”H UBTB	2				
51726575	WELDER DECK	22”H UBTB 60”H	1		1		
51727392	WELDER DECK	60”H			2		

Thread Torque Charts

FINE THREAD BOLTS (ENGLISH)					
SIZE	BOLT DIA.	GRADE 5		GRADE 8	
		 SAE J429 GRADE 5	 SAE J429 GRADE 8		
(DIA-TPI)	(INCHES)	PLAIN	PLATED	PLAIN	PLATED
		(FT-LB)	(FT-LB)	(FT-LB)	(FT-LB)
5/16-24	0.3125	19	14	27	20
3/8-24	0.375	35	26	49	35
7/16-20	0.4375	55	41	78	58
1/2-20	0.5	90	64	120	90
9/16-18	0.5625	120	90	170	130
5/8-18	0.625	170	130	240	180
3/4-16	0.75	300	225	420	315
7/8-11	0.875	445	325	670	500
1-12	1	645	485	995	745
1 1/8-12	1.125	890	670	1445	1085
1 1/4-12	1.25	1240	930	2010	1510
1 3/8-12	1.375	1675	1255	2710	2035
1 1/2-12	1.5	2195	1645	3560	2670

COARSE THREAD BOLTS (ENGLISH)					
SIZE	BOLT DIA.	GRADE 5		GRADE 8	
		 SAE J429 GRADE 5	 SAE J429 GRADE 8		
(DIA-TPI)	(INCHES)	PLAIN	PLATED	PLAIN	PLATED
		(FT-LB)	(FT-LB)	(FT-LB)	(FT-LB)
5/16-18	0.3125	17	13	25	18
3/8-16	0.375	31	23	44	33
7/16-14	0.4375	49	37	70	52
1/2-13	0.5	75	57	105	80
9/16-12	0.5625	110	82	155	115
5/8-11	0.625	150	115	220	160
3/4-10	0.75	265	200	375	280
7/8-9	0.875	395	295	605	455
1-8	1	590	445	910	680
1 1/8-7	1.125	795	595	1290	965
1 1/4-7	1.25	1120	840	1815	1360
1 3/8-6	1.375	1470	1100	2380	1780
1 1/2-6	1.5	1950	1460	3160	2370



NOTES:



1. Tightening torques provided are midrange.
2. Consult bolt manufacturer's particular specifications, when provided.
3. Use flat washers of equal strength.
4. All torque measurements are given in foot-pounds.
5. Torque values specified are for bolts with residual oils or no special lubricants applied. If special lubricants of high stress ability, such as never-seez compound graphite and oil, molybdenum disulfide, colloidal copper or white lead are applied, multiply the torque values in the charts by the factor .90. The use of loctite does not affect the torque values listed above.

WARNING

Anytime a gear-bearing bolt is removed, it must be replaced with a new bolt of the identical grade and size. Once a bolt has been torqued to 75% of its proof load and then removed, the torque coefficient may no longer be the same as when the bolt was new thus giving indeterminate clamp loads after torqueing. Failure to replace gear-bearing bolts may result in bolt failure due to metal fatigue causing death or serious injury.

Thread Torque Chart - Metric

FINE THREAD TORQUE CHART (METRIC)					
TIGHTENING TORQUE					
SIZE (DIA- TPI)	BOLT DIA. (INCHES)	 SAE J429 GRADE 5		 SAE J429 GRADE 8	
		PLAIN (KG-M)	PLATED (KG-M)	PLAIN (KG- M)	PLATED (KG-M)
5/16-24	0.3125	3	2	4	3
3/8-24	0.375	5	4	7	5
7/16-20	0.4375	8	6	11	8
1/2-20	0.5	12	9	17	12
9/16-18	0.5625	17	12	24	18
5/8-18	0.625	24	18	33	25
3/4-16	0.75	41	31	58	44
7/8-11	0.875	62	45	93	69
1-12	1	89	67	138	103
1 1/8-12	1.125	123	93	200	150
1 1/4-12	1.25	171	129	278	209
1 3/8-12	1.375	232	174	375	281
1 1/2-12	1.5	304	228	492	369

COARSE THREAD TORQUE CHART (METRIC)					
TIGHTENING TORQUE					
SIZE (DIA- TPI)	BOLT DIA (INCHES)	 SAE J429 GRADE 5		 SAE J429 GRADE 8	
		PLAIN (KG-M)	PLATED (KG-M)	PLAIN (KG-M)	PLATED (KG-M)
5/16-18	0.3125	2	2	3	2
3/8-16	0.375	4	3	6	5
7/16-14	0.4375	7	5	10	7
1/2-13	0.5	10	8	15	11
9/16-12	0.5625	15	11	21	16
5/8-11	0.625	21	16	30	22
3/4-10	0.75	37	28	52	39
7/8-9	0.875	55	41	84	63
1-8	1	82	62	126	94
1 1/8-7	1.125	110	82	178	133
1 1/4-7	1.25	155	116	251	188
1 3/8-6	1.375	203	152	329	246
1 1/2-6	1.5	270	210	438	328

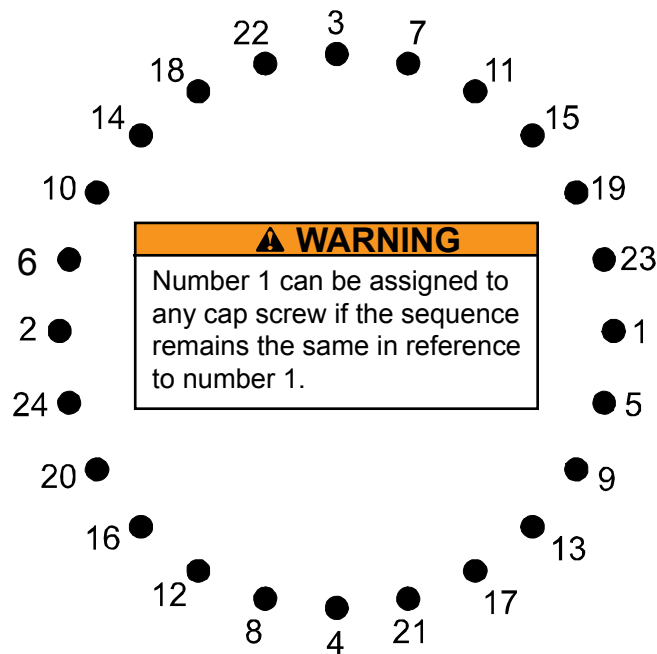
NOTES:

1. Tightening torques provided are mid-range.
2. Consult bolt manufacturer's particular specifications, when provided.
3. Use flat washers of equal strength.
4. All torque measurements are given in kilogram-meters.
5. Torque values specified are for bolts with residual oils or no special lubricants applied. If special lubricants of high stress ability, such as never-seez compound graphite and oil, molybdenum disulfide, colloidal copper or white lead are applied, multiply the torque values in the charts by the factor .90. The use of loctite does not affect the torque values listed above.

WARNING

Anytime a gear-bearing bolt is removed, it must be replaced with a new bolt of the identical grade and size. Once a bolt has been torqued to 75% of its proof load and then removed, the torque coefficient may no longer be the same as when the bolt was new thus giving indeterminate clamp loads after torquing. Failure to replace gear-bearing bolts may result in bolt failure due to metal fatigue causing death or serious injury.

Turntable Bearing Thread Tightening Sequence



TIGHTENING PROCEDURE

1. Refer to the torque data chart to determine the proper torque value to apply to the size of cap screw used.
2. Follow the tightening sequence shown in the diagram. **Note:** The quantity of capscrews may differ from the diagram, but the sequence must follow the criss-cross pattern as shown in the diagram.
3. Torque all cap screws to approximately 40% of the specified torque value, by following the sequence.
 - (Example: .40 X 265 ft-lb = 106 ft-lb)
 - (Example-metric: .40 X 36 kg-m = 14.4 kg-m)
4. Repeat step 3, but torquing all cap screws to 75% of the specified torque value. Continue to follow the tightening sequence.
 - (Example: .75 X 265 ft-lb = 199 ft-lb)
 - (Example-metric: .75 X 36 kg-m = 27 kg-m)
5. Using the proper sequence, torque all cap screws to the listed torque value as determined from the torque data chart.

NOTES: Refer to the turntable bearing thread tightening diagram for proper tightening-torquing sequence of the turntable bearing to the crane base and crane mast. The total quantity of cap screws varies dependent on crane model.



IOWA MOLD TOOLING CO., INC.

P.O. Box 189 Garner, IA 50438

Tel: 641.923.3711

Fax: 641.923.2424

www.imt.com

IMT reserves the right to make changes in engineering, design, specifications, add improvements or discontinue manufacturing at any time without notice or obligation.

IMT and IMT LOGO are registered trademarks of Iowa Mold Tooling Co., Inc., Garner, IA, USA.

© 2017 Iowa Mold Tooling Co., Inc. All Right Reserved.