
Manual # 99904368

93-Series OTR Body

Revised 20130613



IOWA MOLD TOOLING CO., INC.

PO Box 189

Garner, IA 50438

Tel: 641-923-3711 FAX: 641-923-2424

Website: <http://www.imt.com>

Copyright © 2013 Iowa Mold Tooling Co., Inc.

All rights reserved

No part of this publication may be reproduced, stored in a retrieval system, or transmitted in any form or by any means, electronic, mechanical, photocopying, recording or otherwise without the prior written permission of Iowa Mold Tooling Co., Inc.

Iowa Mold Tooling Co., Inc. is an Oshkosh Corporation Company.

Contents

Revisions	iii
Introduction	5
<hr/>	
Spare Parts	7
<hr/>	
93-Series OTR Recommended Spare Parts	7
93-Series OTR Miscellaneous Options	8
Installation	9
<hr/>	
Installation Kit, OTR Steel (93707567)	9
OTR Layout (99904324)	10
OTR Body Assemblies	11
<hr/>	
Body Assembly, 93-15 without racks, with hydraulic compressor (51714616)	12
Body Assembly, 93-15 with racks, hydraulic compressor (51712553)	13
Body Assembly, 93-17 without racks, with hydraulic compressor (51717048)	14
Body Assembly, 93-17 with racks, rotary compressor (51716436)	16
Bumper (52707264)	17
Drawer Assembly, 3"H x 16" D x 26" W (51712569)	18
Drawer Assembly, 3" H x 16" D x 26" W (70733798)	19
Skid Rack Assembly 93-15 OTR (51714080)	20
Loadgate (Ref. 225PRED)	21
Side Rail, Loadgate (51706132)	22
OTR Body Options	23
<hr/>	
Drawer Set (51706978)	23
4-Drawer Set with Riser (51704193)	24
Adjustable Shelf - Full Length 17 x 37-41" (51707188)	25
Adjustable Shelf - Full Length 21 x 51-55" (51707376)	26
Shelf Divider Assembly (51707378)	27
Shelf Kit with Divider Assembly, 21" x 26" (51707379)	28
Shelf Kit with Divider Assembly, 21" x 18" (51707380)	29
Socket Tray Assembly (51708922)	30
Valve Stem Tray (52704479)	30
Skid Rack/ Reservoir Assembly (51707238)	31
Tire Inflation / Pressure Check Tool (51717984)	32
Tire Fluid Kit (51717866)	33
Hose Reel Compartment (51712825)	34
OTR Lighting Installation (99904674)	35
Compartment Light Kit (51706356)	36
Door Activated Switch Kit (51707400)	37
Light Switch Kits	38

Saddle Kit, TH7/TH10 or OTR (31704683)	40
Saddle Kit, TH12 or OTR (31704684)	41

Safety Equipment **43**

Safety Kit (92091010)	43
Electric Backup Alarm (77040020)	44
Beacon Light Kit, Low Mount (51714604)	45

Hose Reels & Meters **47**

Hose Reel Kit, 1/2 x 50' (51706347)	47
Hose Reel Kit, 3/8 x 35' (51706348)	48

Air System Options **49**

FLR Assembly (51715850)	50
Moisture Separator/Regulator/Oiler Assemblies	52
Air Tank Kit, Dual 15 Gal (51709693).....	53
Air Tank Kit, 22.5 Gallon (51706697)	55
Air Tank Kit, 15 Gal (51707363)	56
Air Tank Kit, Dual 15-gallon (51706351)	58
Air Tank Drain Assembly (51709358)	60
Stepless Ear Clamp Installation (99904411).....	61
Remote Oil Cooler Kit (51713693)	62

Revisions

DATE	LOCATION	DESCRIPTION
20080806	51707363, 51706347, 51708336, 99904411	ECN 10746 - Updated kits with stepless ear clamps, added ear clamp drawing.
20090630	99904674	ECN 10936 - Added lighting installation drawing.
20110204	Loadgate	ECN11285 - Repl. loadgate & loadgate panel.
20110519	51709358	ECN 11407 - Reorientation of tank drain valve assembly.
20130613	93707567 99904324	Per engineering mark-up; updated revision information. Updated dimensions.

CHAPTER 1

Introduction

This volume provides information on the installation, operation, spare parts, and repair of your OTR body.

MANUAL STRUCTURE

Throughout this manual, three means are used to draw the attention of personnel. They are NOTES, CAUTIONs and WARNINGs and are defined as follows:

NOTE

A NOTE is used to either convey additional information or to provide further emphasis for a previous point.

CAUTION

A CAUTION is used when there is the very strong possibility of damage to the equipment or premature equipment failure.

WARNING

A WARNING is used when there is the potential for personal injury or death.

In addition to reading the manual, it is your responsibility to become familiar with government regulations, hazards, and the specific operation of your equipment. Use caution and common sense while operating and maintaining the equipment and follow all safety procedures and regulations. Treat this equipment with respect and service it regularly.

MODIFICATIONS

Modifications to your equipment must be performed with IMT approved accessories, parts and optional equipment. If in doubt, contact IMT prior to making any modifications. **DO NOT** alter or modify any safety device! All safety devices must be inspected, tested and maintained in proper working condition.

Decals regarding safety and operation are considered safety equipment, and must be kept clean and legible.

The equipment owner and/or designated employee is responsible for informing all operators, maintenance personnel, and others involved in equipment operation about the safe operation and maintenance of the equipment. If questions arise concerning safe operation, contact IMT or your IMT distributor for clarification.

WARRANTY

Warranty of this unit will be void on any part of the unit subjected to misuse due to overloading, abuse, lack of maintenance and unauthorized modifications. No warranty - verbal, written or implied - other than the official, published IMT new machinery and equipment warranty will be valid with this unit.

NOTICE TO THE OWNER / USER

If your equipment is involved in a property damage accident, contact your IMT distributor immediately and provide them with the details of the accident and the serial number of the equipment. If an accident involves personal injury, immediately notify your distributor and IMT Technical Support at:

IOWA MOLD TOOLING CO., INC.
500 HWY 18 WEST
GARNER, IA 50438
641 - 923 - 3711

CHAPTER 2

Spare Parts

In This Chapter

93-Series OTR Recommended Spare Parts.....	7
93-Series OTR Miscellaneous Options.....	8

93-Series OTR Recommended Spare Parts

Recommended Spare Parts for one-year for 93-Series OTR Body:

NOTE: This spare parts list does not necessarily indicate that the items can be expected to fail in the course of a year. It is intended to provide the user with a stock of parts sufficient to keep the unit operating with the minimal down-time waiting for parts. There may be parts failures not covered by this list. Parts not listed are considered as not being Critical or Normal Wear items during the first year of operations and you need to contact the distributor or manufacturer for availability.

ASSEMBLY PART #	PART NO.	DESCRIPTION	QTY	CODE
LIGHTS				
	77040017	LIGHT-COMPARTMENT	2	C
	77040404	LIGHT-FLOOD BLACK	2	C
	77040182	LIGHT-MARKER-RED	2	C
	77040181	LIGHT-MARKER-AMBER	2	C
	77040281	FLOOD LIGHT, CHROME	2	C
	77040180	LIGHT-BACKUP	2	C
	77040188	LIGHT-STOP/TURN/TAIL	2	C
	77040006	LIGHT-LICENSE	1	C
ELECTRICAL				
	77040391	RELAY, 75 AMP	1	C
	77041014	SWITCH-PUSH/PULL	1	C
	77041251	RELAY-12V 30 AMP NOM/40 AMP MAX	1	C
	77044635	FUSE-20A MAXI	1	C
	77044636	FUSE- 30A MAXI	1	C
PTO				
	77041008	SWITCH-PRESS CTL - BRAKE SWITCH 60 LB NC	2	C
	77041178	SOLENOID VALVE 12V 3WAY	1	C

93-Series OTR Miscellaneous Options

The 93-Series OTR has had several changes throughout its history. Some of the changes are specific per date. Please refer to the chart below for these options.

SYSTEM	PART #	DESCRIPTION	DATE RANGE
Electrical	51712413	Light Kit-93-15 OTR without racks and load gate	
Electrical	51714881	Light Kit-93-15 OTR with racks & load gate	
Electrical	70733496	Hour Meter - Push Lock with Flange	
Electrical	51712336	Floodlight Kit - Two 12V Chrome Lights	
Air Compressor - CAS440	51710281	Kit-Solberg Filter (IMT80 Compressor)	
Air Compressor - CAS4110	51713988	Air Filter Kit - Remote Mounted CAS4110/OTR	
Hydraulic Kit - CAS440/CAS4110 Compressor	51713693	Kit-Oil Cooler Remote Mounted	
Latch	72661433	Latch-Single Point, SS with Holes	2/17/95 - 7/17/97
Latch	72661470	Latch Assembly, 1 part	7/17/97 - 1/3/00
Latch	72661512	Latch Assembly, 3-part	1/3/00 - present
Preventive Maintenance Kits 5217/7415 Crane	VP593150	PM9315 Mine/Construction with 5217 / 7415 Crane	

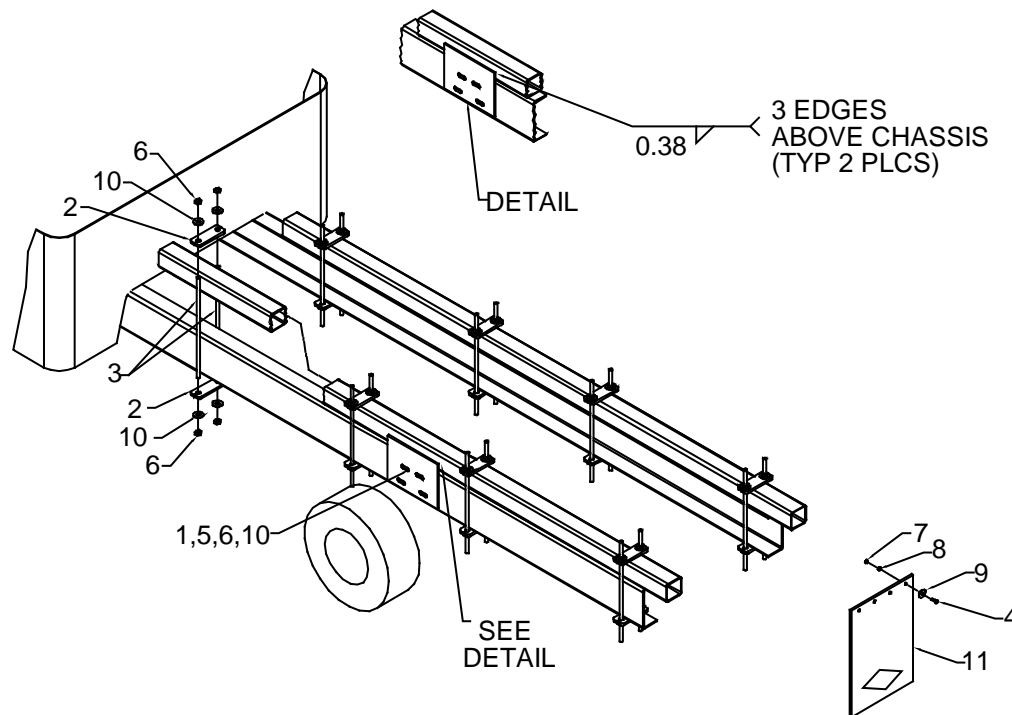
CHAPTER 3

Installation

In This Chapter

Installation Kit, OTR Steel (93707567)	9
OTR Layout (99904324).....	10

Installation Kit, OTR Steel (93707567)



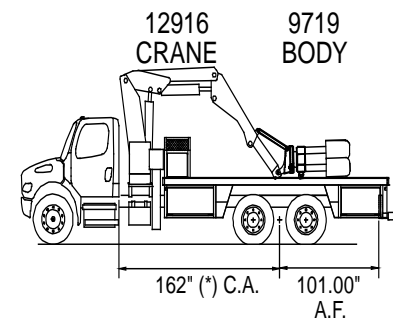
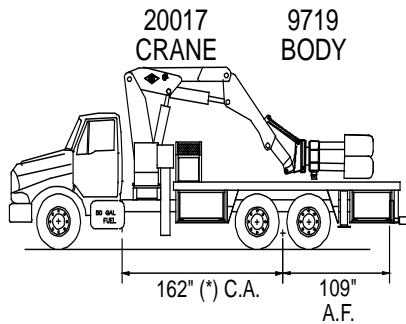
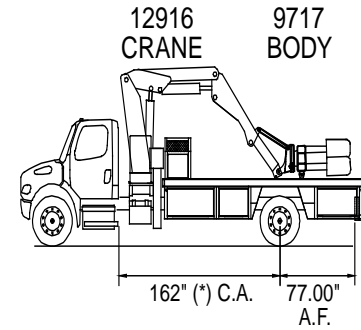
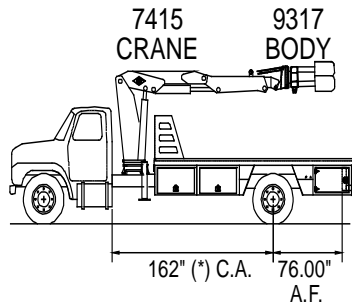
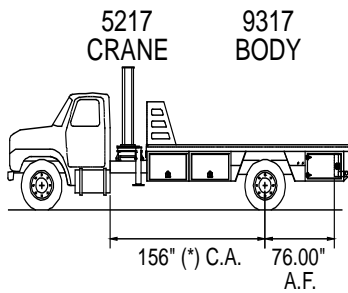
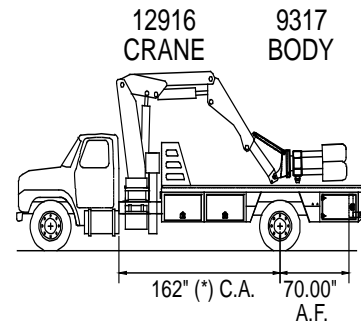
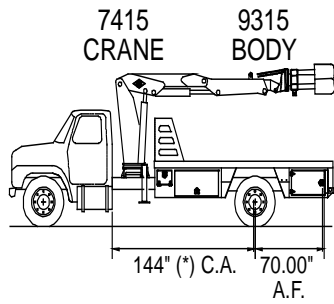
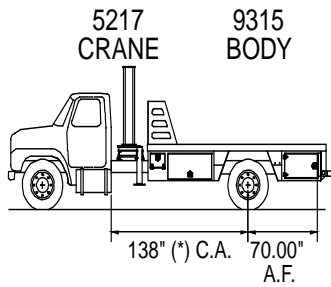
NOTE:

- 1 WELD STRUCTURAL COMPONENTS IN ACCORDANCE WITH ANSI/AWS D14.3 WELDING SPECIFICATIONS.

93707567 PARTS LIST			
ITEM	PART #	DESCRIPTION	QUANTITY
1.	60105107	SHEAR PLATE - 3/8 X 10 X 13	2
2.	60105958	CLAMP PLATE - 1/2 X 2-1/2 X 7	16
3.	60109298	ROD-THREADED 0.62-11 X 22.5	16
4.	72060025	CAP SCR 0.31-18 X 1 HHGR5Z	8
5.	72060151	CAP SCR .62-11 X 2 HHGR8Z	2
6.	72062091	NUT .62-11 HEX NYLOC	34
7.	72062109	NUT .31-18 HEX NYLOC ZINC	8

93707567 PARTS LIST			
ITEM	PART #	DESCRIPTION	QUANTITY
8.	72063050	WASHER .31 LOCK ZINC	8
9.	72063078	WASHER .31 X 1.5 OD ZINC	8
10.	72063119	WASHER .62 N FLAT	34
11.	76393799	MUD FLAP WITH IMT LOGO	2
REV. C 20130116			

OTR Layout (99904324)



* BASED ON LOCATION OF DIESEL PARTICULATE FILTER ON CHASSIS.

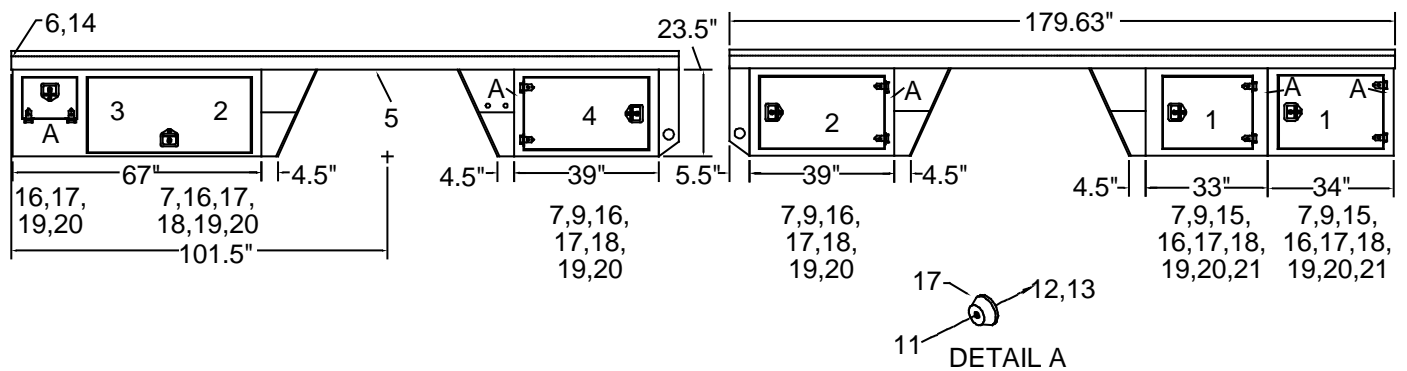
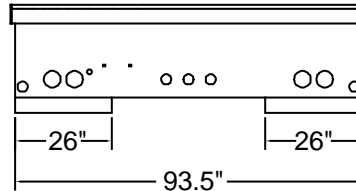
CHAPTER 4

OTR Body Assemblies

In This Chapter

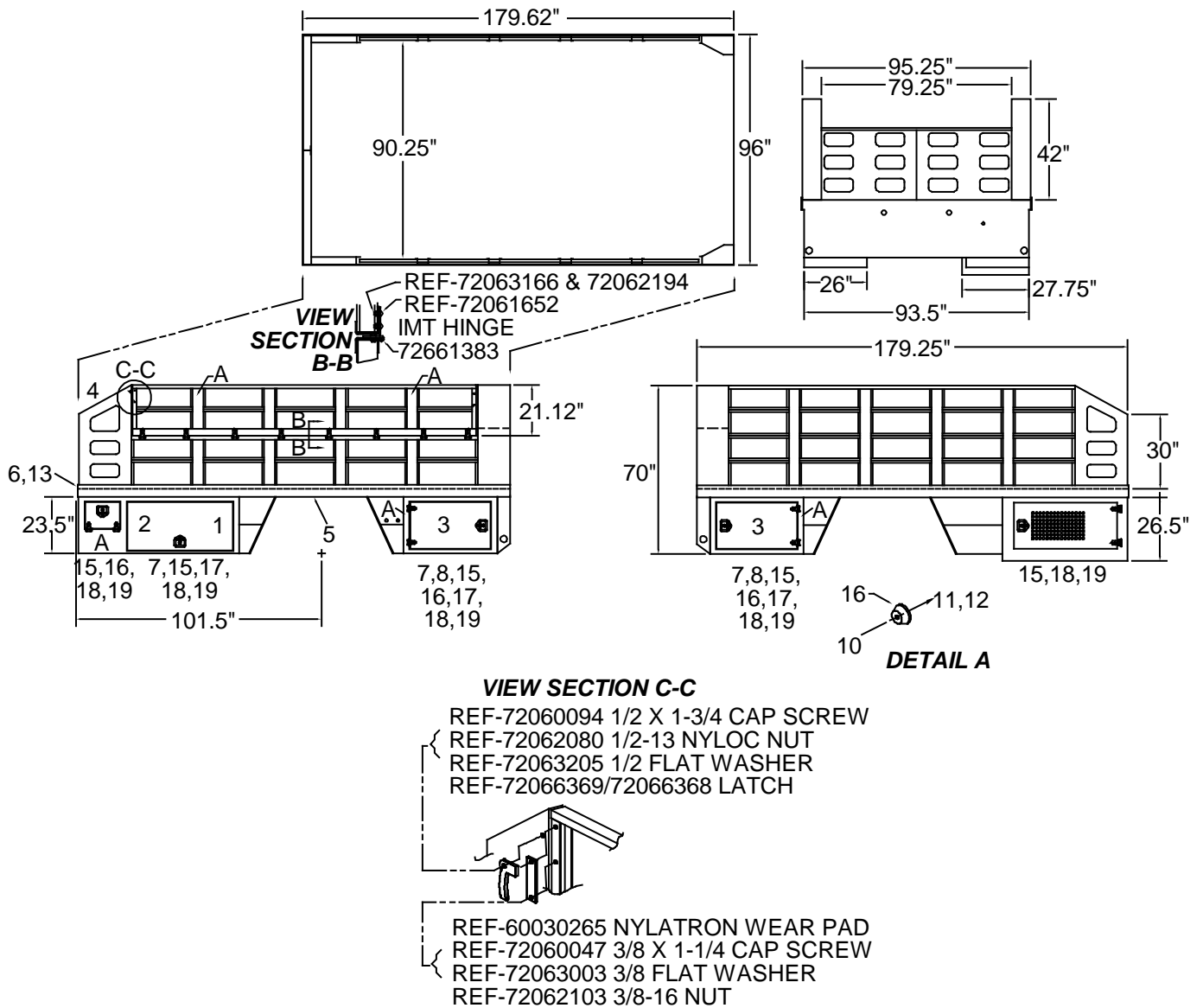
Body Assembly, 93-15 without racks, with hydraulic compressor (51714616)	11
Body Assembly, 93-15 with racks, hydraulic compressor (51712553)	13
Body Assembly, 93-17 without racks, with hydraulic compressor (51717048)	14
Body Assembly, 93-17 with racks, rotary compressor (51716436)	16
Bumper (52707264)	17
Drawer Assembly, 3"H x 16" D x 26" W (51712569)	18
Drawer Assembly, 3" H x 16" D x 26" W (70733798)	19
Skid Rack Assembly 93-15 OTR (51714080)	20
Loadgate (Ref. 225PRED)	21
Side Rail, Loadgate (51706132)	22

Body Assembly, 93-15 without racks, with hydraulic compressor (51714616)



51714616 PARTS LIST			
ITEM	PART #	DESCRIPTION	QUANTITY
1.	51716874	SHELF-ADJUSTABLE 17 X 30-34	2
2.	51706882	SHELF-ADJUSTABLE 21 X 41-45	1
3.	51707378	DIVIDER-ASM SHELF UBTB	1
4.	51709620	SHELF-ADJ 17 X 39-43	2
5.	52714617	BODY WELDMENT - 93-15 BUD W/O RACKS	1
6.	70029119	PLACARD-SERIAL NUMBER	1
7.	70034366	PLUG-PLASTIC BUTTON	10
9.	70393719	PLUG-PL RUBBER BUTTON	20
10.	71393883	DECAL-TIRE HANDLER PRODUCTS	3
11.	72060638	SCR-MACH #10-24 X 1 RDH ZINC	5
12.	72062106	NUT #10-24 HEX NYLOC ZINC	5
13.	72063000	WASHER .19 FLAT	5
14.	72066340	RIVET-POP	2
16.	72661512	LATCH ASM - 3 PT	6
17.	76039990	BUMPER-RUBBER	5
18.	76393340	RUBBER MAT	14'
19.	76393253	GASKET-LATCH	6
20.	89393607	WEATHERSTRIP-.62 X .50	44'
REV. B 20080213			

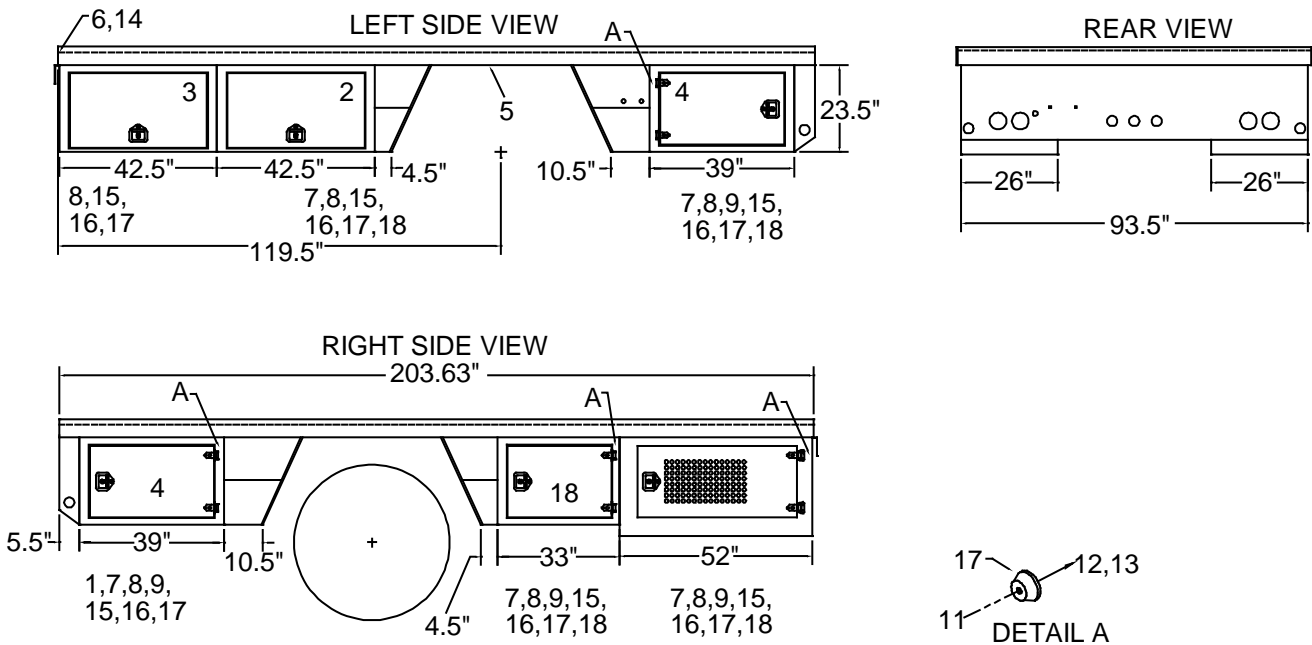
Body Assembly, 93-15 with racks, hydraulic compressor (51712553)



51712553 PARTS LIST			
ITEM	PART #	DESCRIPTION	QUANTITY
1.	51706882	SHELF-ADJUSTABLE 21 X 41-45	1
2.	51707378	DIVIDER-ASM SHELF UBTB	1
3.	51709620	SHELF-ADJ 17 X 39-43	2
4.	51712568	LATCH KIT	1
5.	52712554	BODY WELDMENT - 93-15 W/RACKS HYD	1
6.	70029119	PLACARD-SERIAL NUMBER	1

51712553 PARTS LIST			
ITEM	PART #	DESCRIPTION	QUANTITY
7.	70034366	PLUG-PLASTIC BUTTON	6
8.	70393719	PLUG-PL RUBBER BUTTON	10
9.	71393883	DECAL-TIRE HANDLER PRODUCTS	3
10.	72060638	SCR-MACH #10-24 X 1 RDH ZINC	5
11.	72062106	NUT #10-24 HEX NYLOC ZINC	5
12.	72063000	WASHER .19 FLAT	2
13.	72066340	RIVET-POP	2
15.	72661512	LATCH ASM - 3 PT	5
16.	76039990	BUMPER-RUBBER	5
17.	76393340	RUBBER MAT	10'
18.	76393253	GASKET-LATCH	5
19.	89393607	WEATHERSTRIP-.62 X .50	36'
REV. C 20080213			

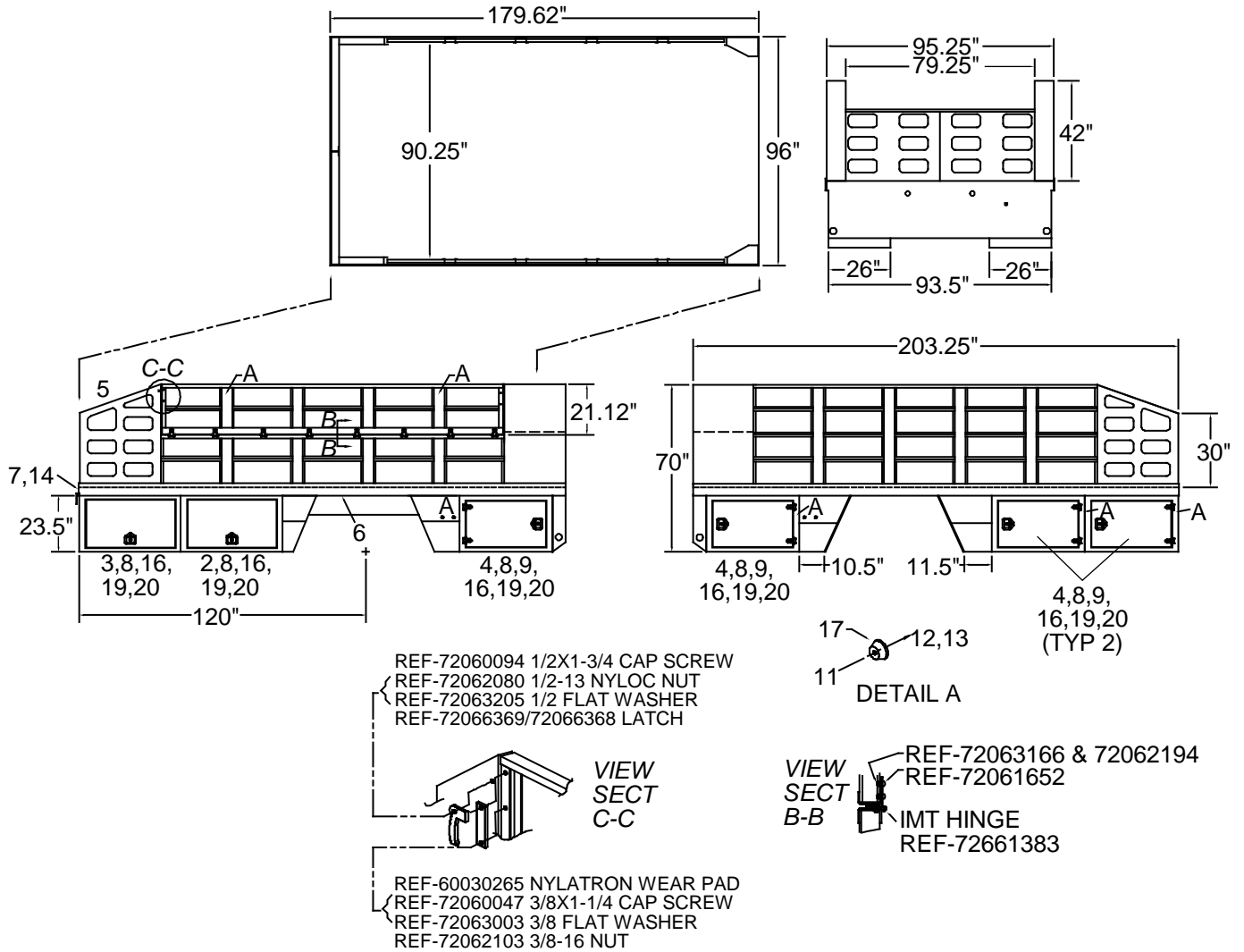
Body Assembly, 93-17 without racks, with hydraulic compressor (51717048)



51717048 PARTS LIST			
ITEM	PART #	DESCRIPTION	QUANTITY
1.	76393340	RUBBER MAT	20'
2.	51706882	ADJ SHELF	1
3.	51707378	DIVIDER, SHELF ASM UBTB	1
4.	51709620	SHELF-ADJ 17 X 39-43	2
5.	52717049	BODY WELDMENT, 93-17 HYD W/O RACKS	1
6.	70029119	PLACARD-SERIAL NO.	1
7.	70034366	PLUG-PLASTIC BUTTON	10

51717048 PARTS LIST			
ITEM	PART #	DESCRIPTION	QUANTITY
8.	89393607	WEATHERSTRIP	55'
9.	70393719	PLUG-RUBBER BUTTON	16
10.	71393883	DECAL-TIRE HANDLER PRODUCTS	3
11.	72060638	SCR-MACH #10-24X 1 RDH ZINC	4
12.	72062106	NUT #10-24 HEX NYLOC	4
13.	72063000	WASHER 0.19 FLAT	4
14.	72066340	RIVET-POP	2
15.	76393253	GASKET-LATCH	6
16.	72661512	LATCH ASM-3 PT	6
17.	76039990	RUBBER BUMPER	4
18.	51706874	SHELF-ADJ 17 X 32.75-36.75	1
20080213			

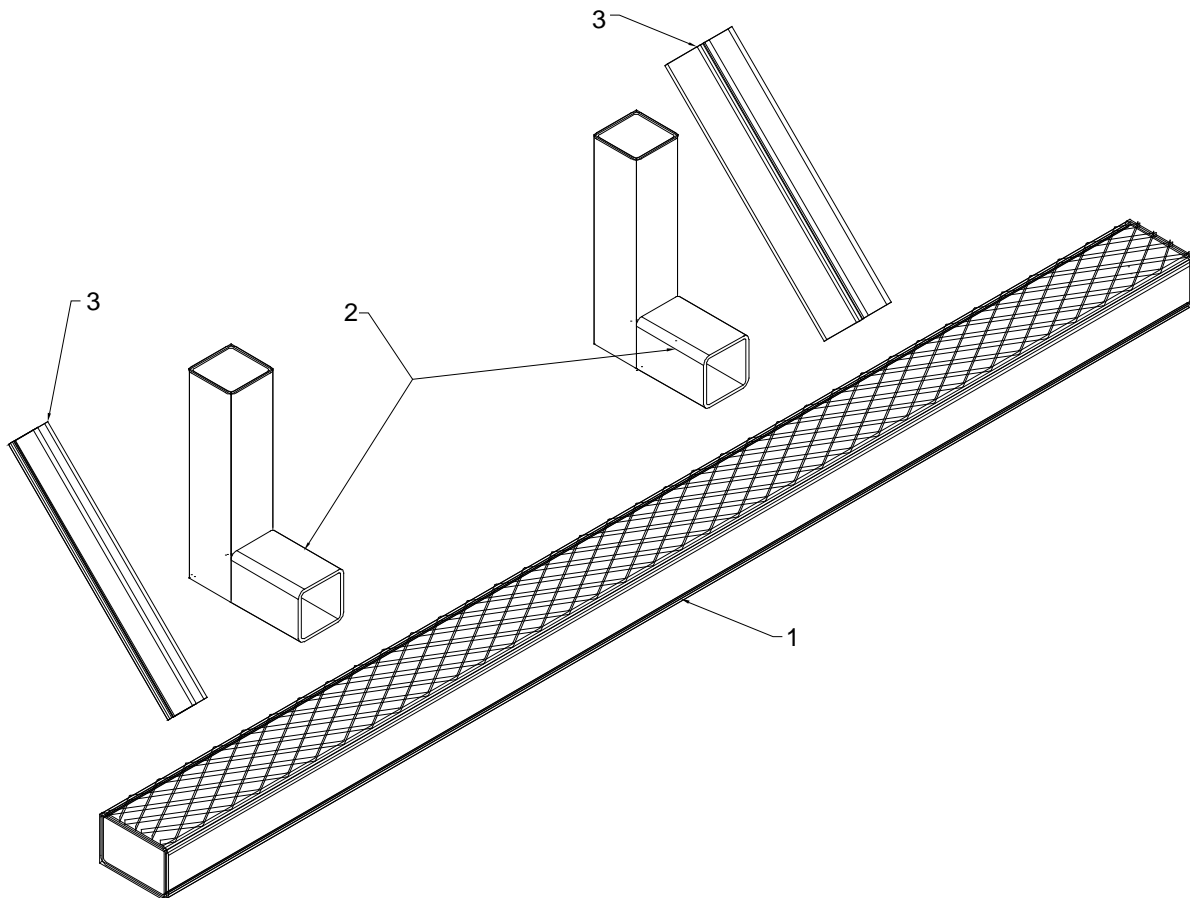
Body Assembly, 93-17 with racks, rotary compressor (51716436)



51716436 PARTS LIST			
ITEM	PART #	DESCRIPTION	QUANTITY
2.	51706882	SHELF-ADJ 21 X 39.5-43.5 W/DWR HOLES	1
3.	51707378	DIVIDER-SHELF ASM UBTB	1
4.	51709620	SHELF-ADJ	4
5.	51712568	LATCHKIT 93-15 W/ALUM RACK	1
6.	52716437	BODY WELDMENT	1
7.	70029119	PLACARD-SERIAL NUMBER	1
8.	70034366	PLUG-PLASTIC BUTTON	12
9.	70393719	PLUG-RUBBER BUTTON	16
10.	71393883	DECAL-TIRE HANDLER PRODUCTS	3
11.	72060638	SCR-MACH #10-24X1 RDH ZINC	6

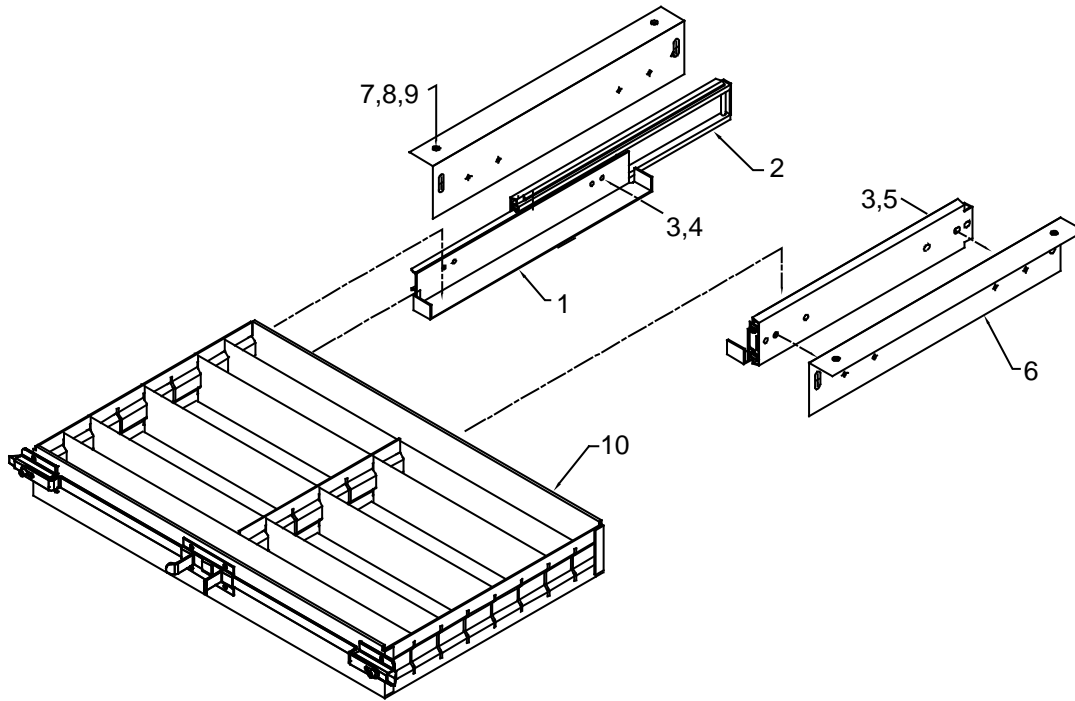
51716436 PARTS LIST			
ITEM	PART #	DESCRIPTION	QUANTITY
12.	72062106	NUT #10-24 HEX NYLOC	6
13.	72063000	WASHER 0.19 FLAT	6
14.	72066340	RIVET-POP	2
16.	72661512	LATCH ASM, 3-PT	6
17.	72039990	BUMPER, RUBBER	6
18.	76393340	MAT-RUBBER	14'
19.	76393253	GASKET-LATCH	6
20.	89393607	WEATHERSTRIP	66'
20080215			

Bumper (52707264)



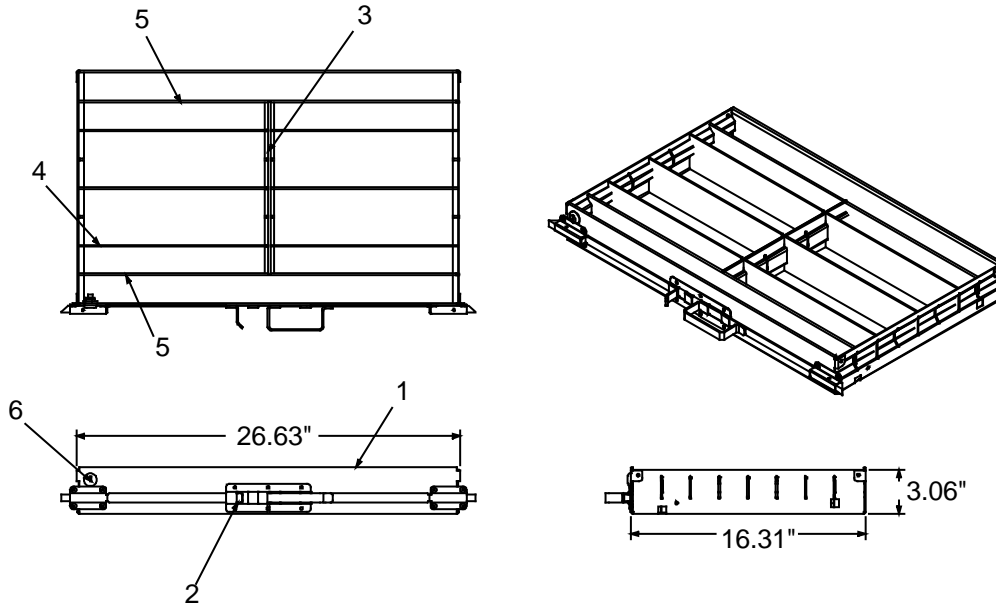
52707264 PARTS LIST			
ITEM	PART #	DESCRIPTION	QUANTITY
1.	52707245	BUMPER-TUBE LD	1
2.	52707251	TUBE WELDMENT	2
3.	60107251	ANGLE-FORM	2
20080215			

Drawer Assembly, 3"H x 16" D x 26" W (51712569)



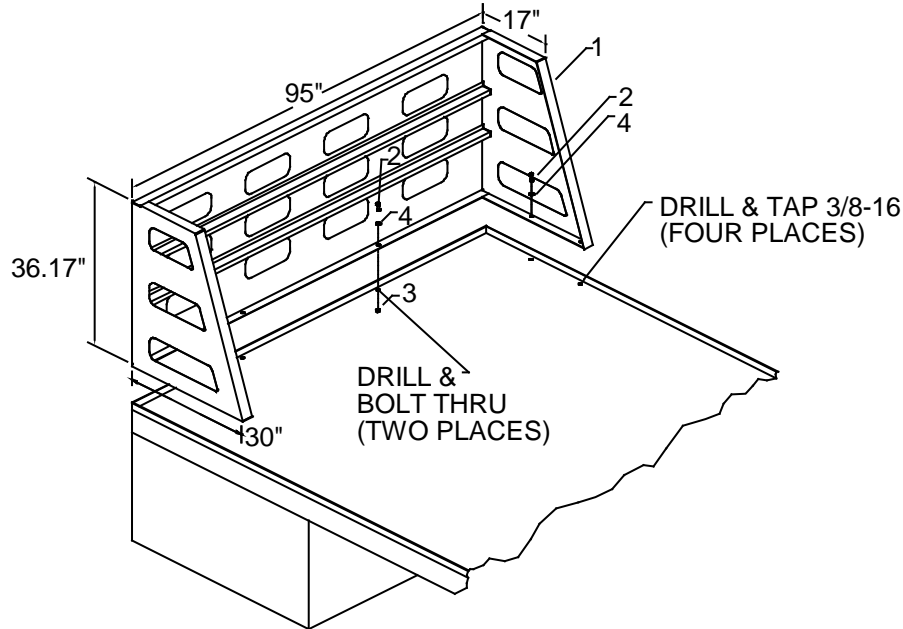
51712569 PARTS LIST			
ITEM	PART #	DESCRIPTION	QUANTITY
1.	60118421	BRACKET-ROLLOUT DRAWER	2
2.	70731440	DRAWER SLIDE-16" LONG	2
3.	72062106	NUT #10-24 HEX NYLOC	16
4.	72601283	SCR-MACH #10-24 X 0.5 PN SL Z	8
5.	72601284	SCR-MACH #10-24 X 0.62 FLH SLTZ	8
6.	60119271	BRACKET-ROLLOUT DRAWER	2
7.	72060025	CAP SCR 0.31-18 X 1 HHGR5Z	4
8.	72063002	WASHER 0.31 FLAT	8
9.	72062001	NUT 0.31-18 HEX ZINC	4
10.	70733414	DRAWER W/DIVIDERS	1
20080215			

Drawer Assembly, 3" H x 16" D x 26" W (70733798)



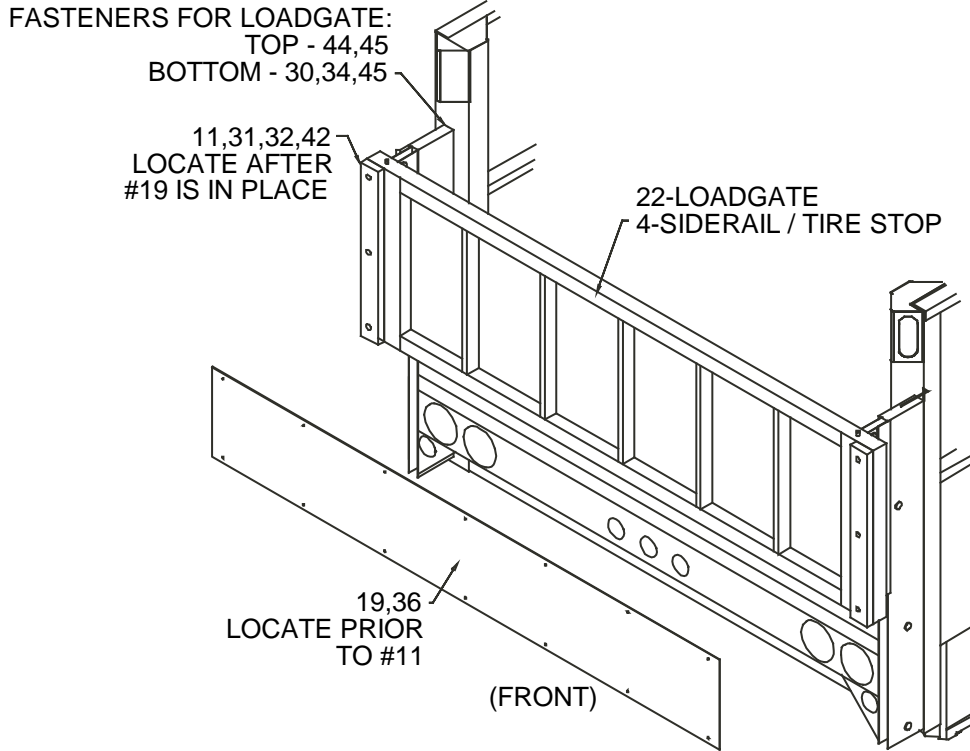
70733798 PARTS LIST			
ITEM	PART #	DESCRIPTION	QUANTITY
1.	REF	DRAWER-PAN 3H X 26W (PART OF 70733798)	1
2.	REF	LATCH ASM-DRAWERS 26W (PART OF 70733798)	1
3.	60130560	DIVIDER-DRAWERS CTR W-SLOTS 2.88H	1
4.	60251081	DIVIDER-DRAWER ALUM 2.88X13.03	6
5.	60130558	DIVIDER-HEMMED 2.81 X 26.25	2
6.	70734188	LOCK-CAM ROLLOUT DRAWERS	1
REV. B 20070809			

Skid Rack Assembly 93-15 OTR (51714080)



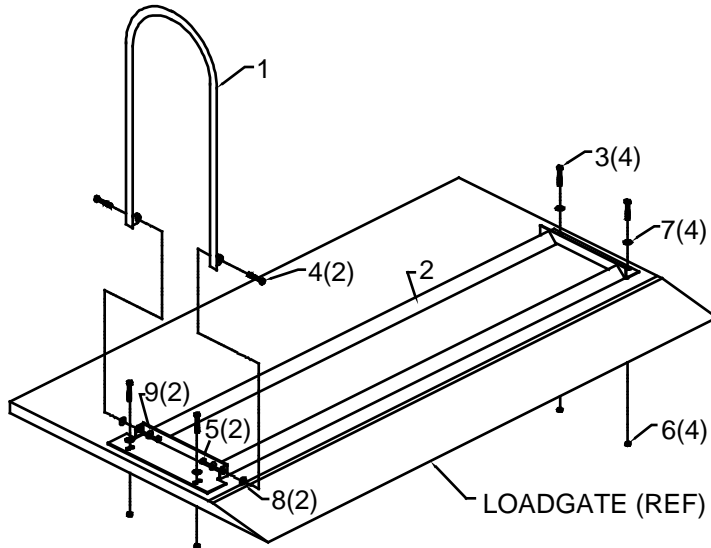
51714080 PARTS LIST			
ITEM	PART #	DESCRIPTION	QUANTITY
1.	52714081	SKID RACK WELDMENT, 36" H, 93-15 OTR	1
2.	72060047	CAP SCR 3/8 -16 X 1.25 HHGR5	6
3.	72062103	NUT 3/8-16 HEX NYLOC	2
4.	72063003	WASHER 3/8 FLAT	6
20080215			

Loadgate (Ref. 225PRED)



LOADGATE PARTS LIST			
ITEM	PART #	DESCRIPTION	QUANTITY
4.	51706132	SIDE RAIL	1
11.	60030309	WEAR PAD	2
19.	60135998	PANEL (WAS 60250360)	1
22.	70733154	LOADGATE	1
30.	72062080	NUT 1/2-13 HEX LOCK	10
31.	72062109	NUT 5/16-18 HEX LOCK	18
32.	72063002	WASHER 5/16 WRT	27
34.	72063005	WASHER 1/2 WRT	20
36.	72066349	POP RIVET	14
42.	72066580	CLAMP	4
44.	72063053	WASHER 1/2 LOCK	2
45.	72060095	CAP SCR 1/2-13 X 2 HHGR5	2
REV 20110207			

Side Rail, Loadgate (51706132)



NOTES:

- 1 ON LOADGATES WITH GRIPSTRUT, SOLID, EXPANDED DECK, WELD TIRE STOP PER IMT WELDING STANDARDS .
- 2 ON EAGLE LIFT LOADGATES, BOLT TIRE STOP IN PLACE, CENTERED LEFT TO RIGHT, FRONT TO BACK EXCLUDING RAMP, AND PLACED WITHIN 1 - 2" OF RAMP ANGLE (SIDE RAIL-SIDE).

51706132 PARTS LIST

ITEM	PART #	DESCRIPTION	QUANTITY
1.	52706335	SIDE RAIL WELDMENT, LOADGATE	1
2.	52706337	TIRE STOP	1
3.	72060034	CAP SCR 0.31-18 X 3.25 HHGR5Z	4
4.	72060093	CAP SCR 0.50-13 X 1.50 HHGR5Z	2
5.	72062080	NUT 0.50-13 HEX NYLOC ZINC	2
6.	72062109	NUT 0.31-18 HEX NYLOC ZINC	4
7.	72063002	WASHER 0.31 FLAT	4
8.	72063005	WASHER 0.50 FLAT	2
9.	72063053	WASHER 0.50 LOCK ZINC	2
REV. B 20080215			

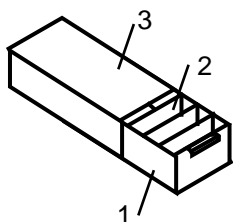
CHAPTER 5

OTR Body Options

In This Chapter

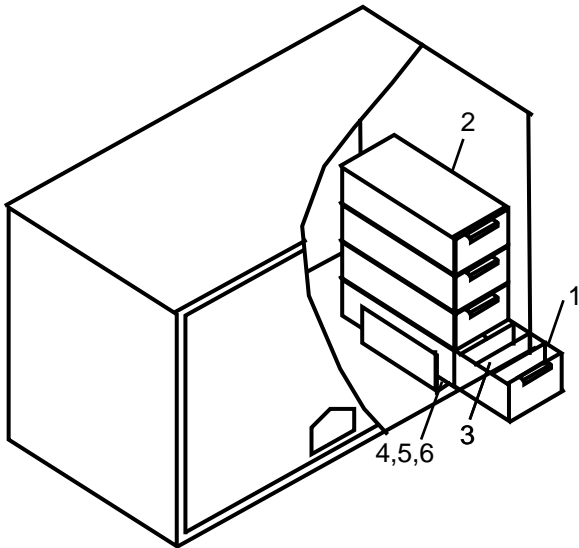
Drawer Set (51706978)	23
4-Drawer Set with Riser (51704193).....	24
Adjustable Shelf - Full Length 17 x 37-41" (51707188).....	25
Adjustable Shelf - Full Length 21 x 51-55" (51707376).....	26
Shelf Divider Assembly (51707378).....	27
Shelf Kit with Divider Assembly, 21" x 26" (51707379)	28
Shelf Kit with Divider Assembly, 21" x 18" (51707380)	29
Socket Tray Assembly (51708922).....	30
Valve Stem Tray (52704479).....	30
Skid Rack/ Reservoir Assembly (51707238).....	31
Tire Inflation / Pressure Check Tool (51717984).....	32
Tire Fluid Kit (51717866)	33
Hose Reel Compartment (51712825).....	34
OTR Lighting Installation (99904674)	35
Compartment Light Kit (51706356).....	36
Door Activated Switch Kit (51707400)	36
Light Switch Kits.....	38
Saddle Kit, TH7/TH10 or OTR (31704683).....	39
Saddle Kit, TH12 or OTR (31704684).....	41

Drawer Set (51706978)



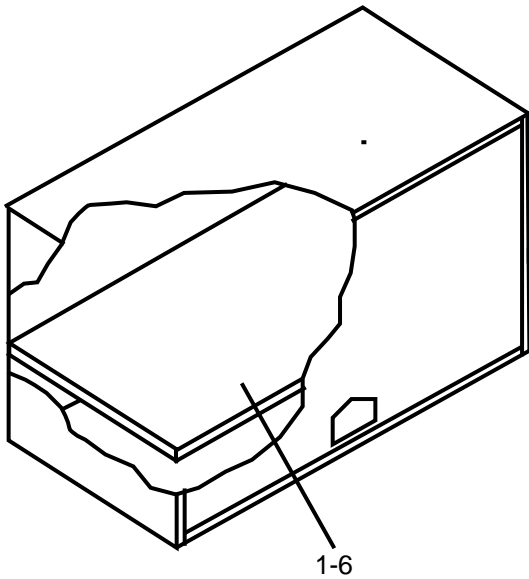
51706978 PARTS LIST			
ITEM	PART #	DESCRIPTION	QUANTITY
1.	52710274	DRAWER	1
2.	60114979	DIVIDER	1
3.	60114952	CABINET	1
AI 20080215			

4-Drawer Set with Riser (51704193)



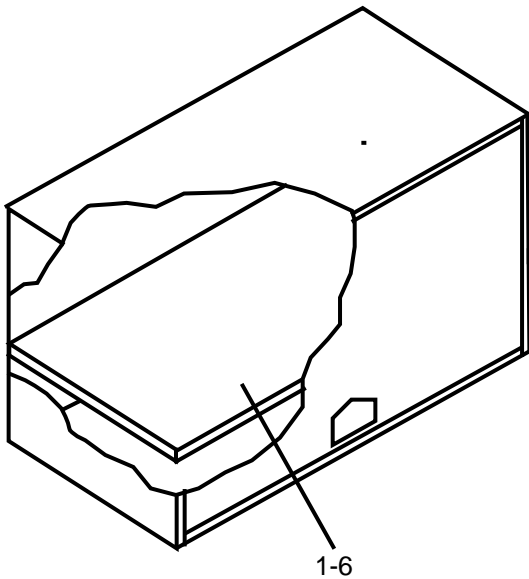
51704193 PARTS LIST			
ITEM	PART #	DESCRIPTION	QUANTITY
1.	52710274	DRAWER	4
2.	52710227	CABINET-4-DRAWER	1
3.	60114979	DIVIDER	12
4.	72060023	CAP SCREW 5/16-18 X 3/4 HHGR5Z	4
5.	72062109	NUT 5/16-18 LOCK	4
6.	72063002	WASHER 5/16 WRT	8
20080215			

Adjustable Shelf - Full Length 17 x 37-41" (51707188)



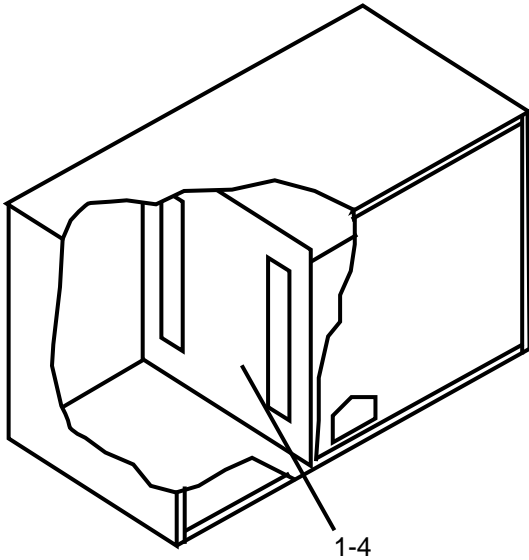
51707188 PARTS LIST			
ITEM	PART #	DESCRIPTION	QUANTITY
1.	60110246	END-LH	1
2.	60110247	END-RH	1
3.	60114600	SHELF	1
4.	72060025	CAP SCR 5/16-18 X 1 HHGR5	4
5.	72062109	NUT 5/16-18 LOCK	4
6.	72063001	WASHER 1/4 WRT	4
20080215			

Adjustable Shelf - Full Length 21 x 51-55" (51707376)



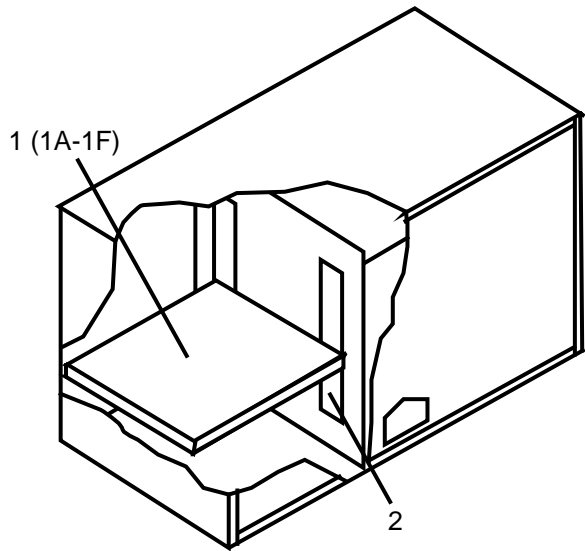
51707376 PARTS LIST			
ITEM	PART #	DESCRIPTION	QUANTITY
1.	60110251	END-LH	1
2.	60110252	END-RH	1
3.	60110979	SHELF	1
4.	72060025	CAP SCR 5/16-18 X 1 HHGR5	4
5.	72062109	NUT 5/16-18 LOCK	4
6.	72063001	WASHER 1/4 WRT	4
20080215			

Shelf Divider Assembly (51707378)



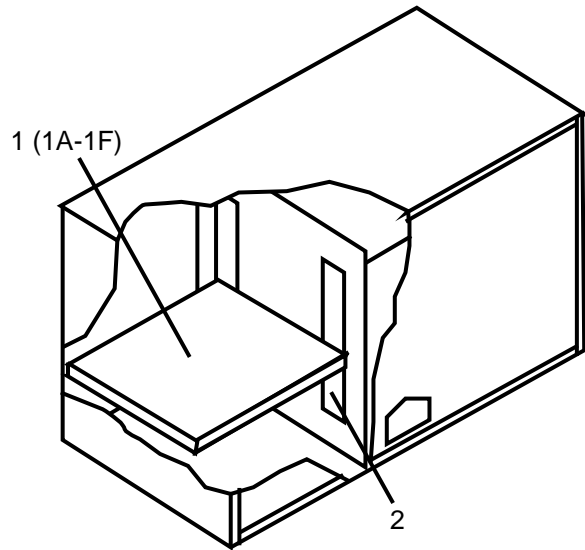
51707378 PARTS LIST			
ITEM	PART #	DESCRIPTION	QUANTITY
1.	52707377	DIVIDER W/HANGER BRACKETS	2
2.	72060046	CAP SCR 3/8-16 X 1 HHGR5	5
3.	72062103	NUT 3/8-16 LOCK	5
4.	72063003	WASHER 3/8 WRT	10
20080215			

Shelf Kit with Divider Assembly, 21" x 26" (51707379)



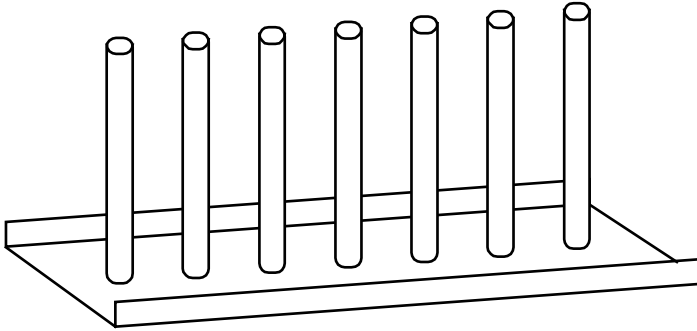
51707379 PARTS LIST			
ITEM	PART #	DESCRIPTION	QUANTITY
1.	51706927	SHELF (INCL 1A-1F)	1
1A.	60110251	END-LH	1REF
1B.	60110252	END-RH	1REF
1C.	60114620	SHELF	1REF
1D.	72060025	CAP SCR 5/16-18 X 1 HHGR5Z	4REF
1E.	72062109	NUT 5/16 LOCK	4REF
1F.	72063001	WASHER 1/4 WRT	4REF
2.	51707378	SHELF DIVIDER ASSEMBLY	1
20080215			

Shelf Kit with Divider Assembly, 21" x 18" (51707380)



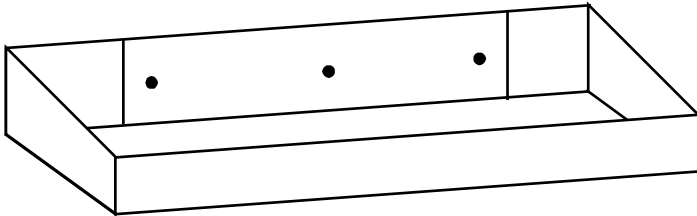
51707380 PARTS LIST			
ITEM	PART #	DESCRIPTION	QUANTITY
1.	51706926	SHELF (INCL 1A-1F)	1
1A.	60110251	END-LH	1REF
1B.	60110252	END-RH	1REF
1C.	60114619	SHELF	1REF
1D.	72060025	CAP SCR 5/16-18 X 1 HHGR5Z	4REF
1E.	72062109	NUT 5/16 LOCK	4REF
1F.	72063001	WASHER 1/4 WRT	4REF
2.	51707378	SHELF DIVIDER ASSEMBLY	1
20080218			

Socket Tray Assembly (51708922)



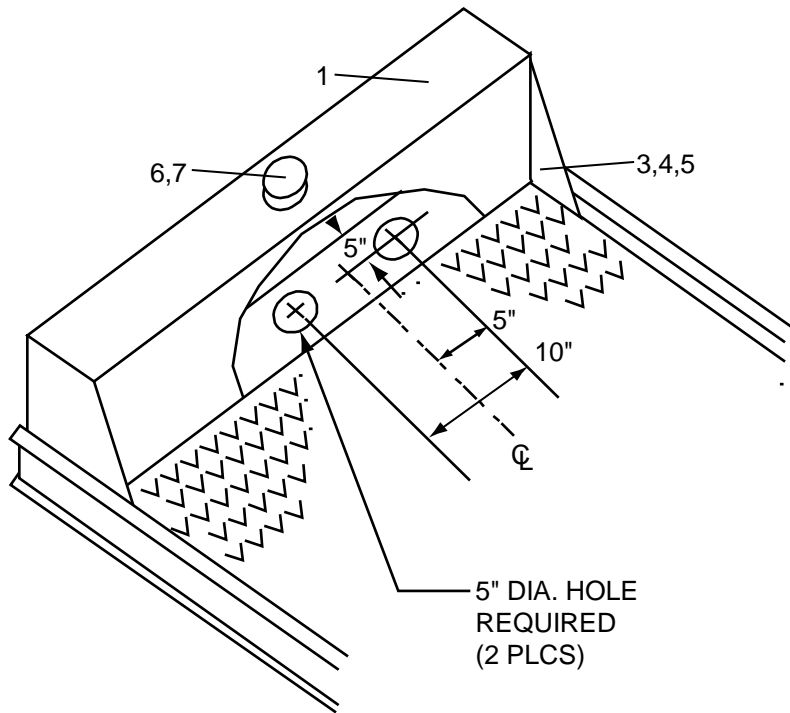
NOTE: Requires riveting. Rivets 72661226 included with assembly.

Valve Stem Tray (52704479)



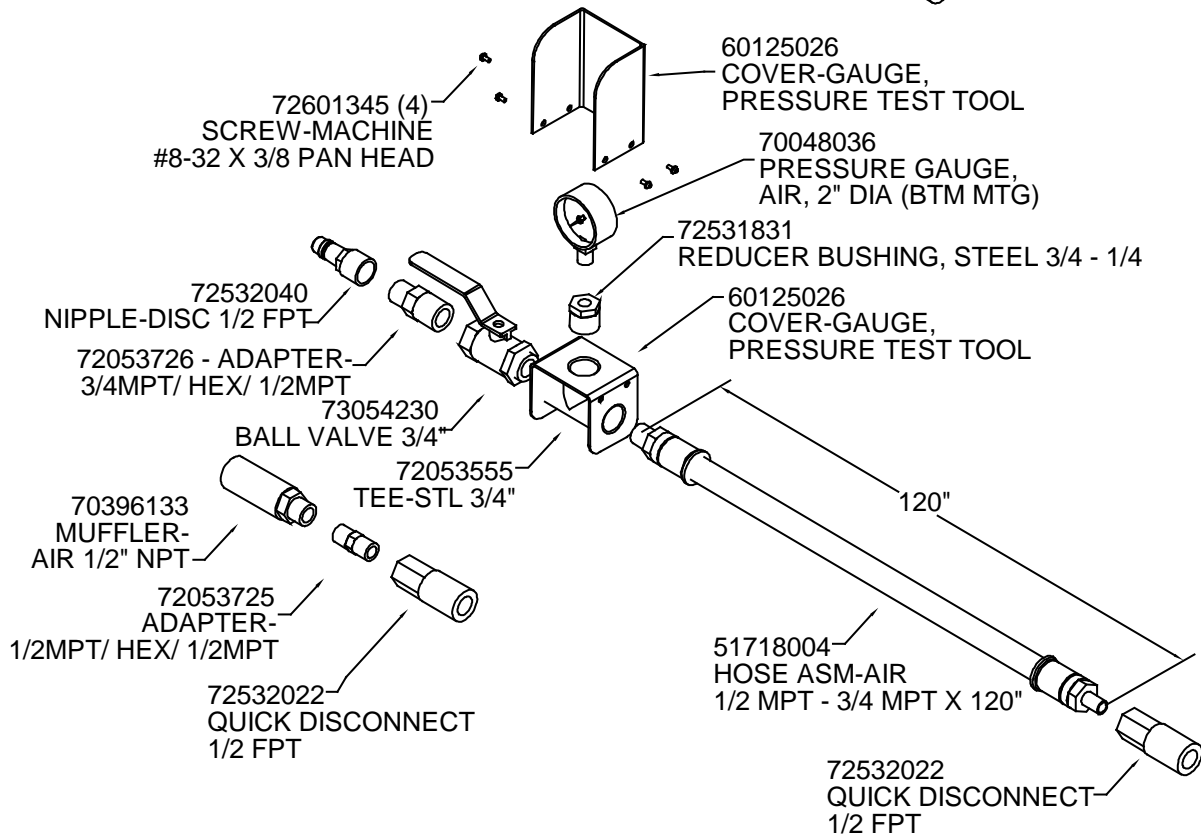
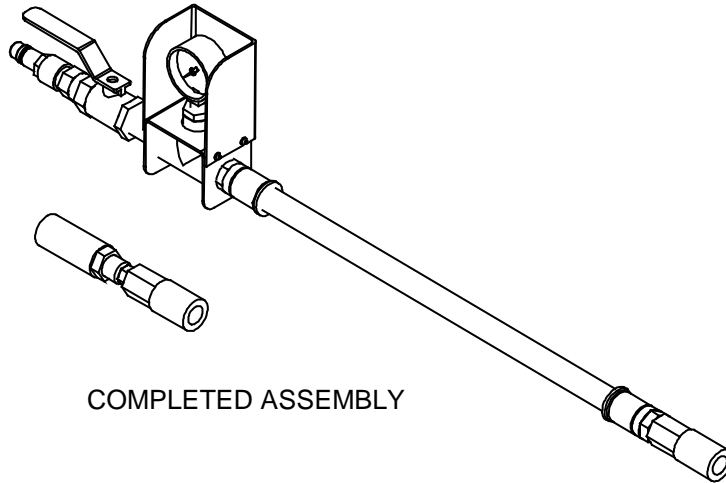
NOTE: Requires riveting. Rivets 72661226 included with assembly.

Skid Rack/ Reservoir Assembly (51707238)

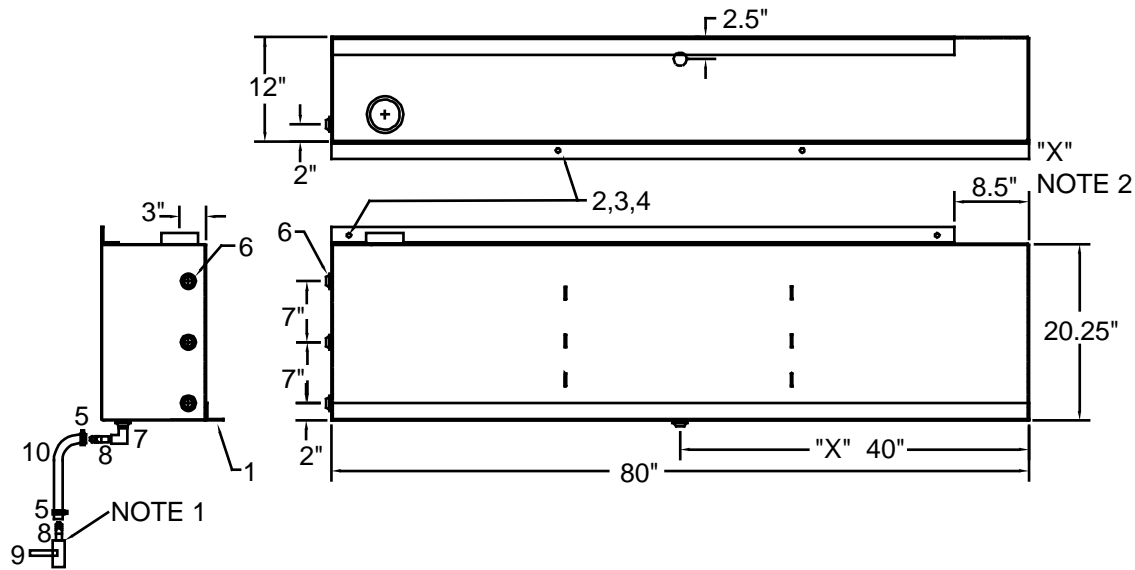


51707238 PARTS LIST			
ITEM	PART #	DESCRIPTION	QUANTITY
1.	52707413	SKID RACK RESERVOIR	1
2.	60111861	SHIM	2
3.	72060093	CAP SCREW 1/2-13 X 1-1/2 HHGR5Z	4
4.	72062080	NUT 1/2-13 LOCK	4
5.	72063005	WASHER 1/2 WRT	8
6.	73014671	FILL CAP	1
7.	73141276	FILL NECK SCREEN	1
8.	99900209	INSTALLATION DRAWING	1
20080218			

Tire Inflation / Pressure Check Tool (51717984)



Tire Fluid Kit (51717866)

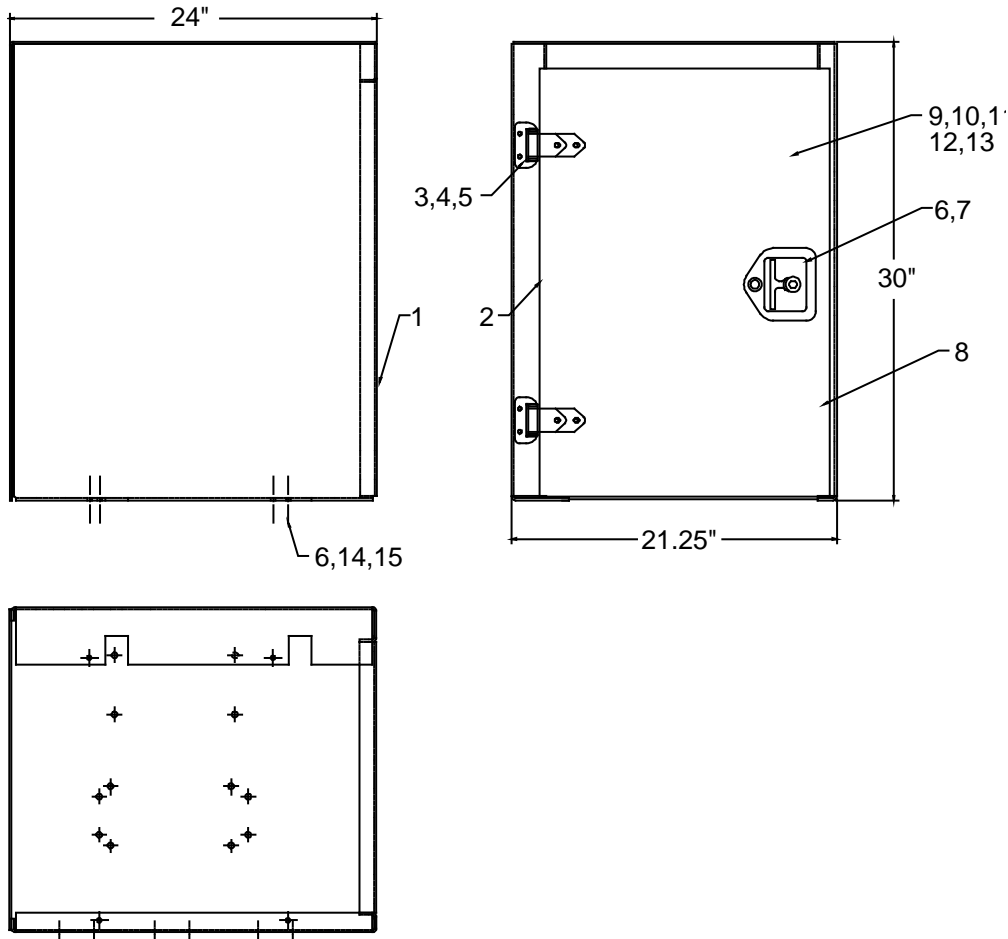


NOTES:

- 1 HOSE WILL PLUMB OUT OF BOTTOM OF TANK. ROUTE HOSE #10 UNDER DECK. MOUNT BALL VALVE TO OUTSIDE OF LF UBTB FRONT WALL.
- 2 "X" DENOTES POSSIBLE TIE-DOWN ON OTR FLOOR. WHEN CALCULATING LOCATION TO CUT HOLE IN FLOOR OF BODY, MAKE SURE RIGHT HAND EDGE OF TANK IS SET IN FAR ENOUGH TO MISS THE TIE-DOWN WELDED ON THE DECK PLATE OF THE OTR FLOOR.

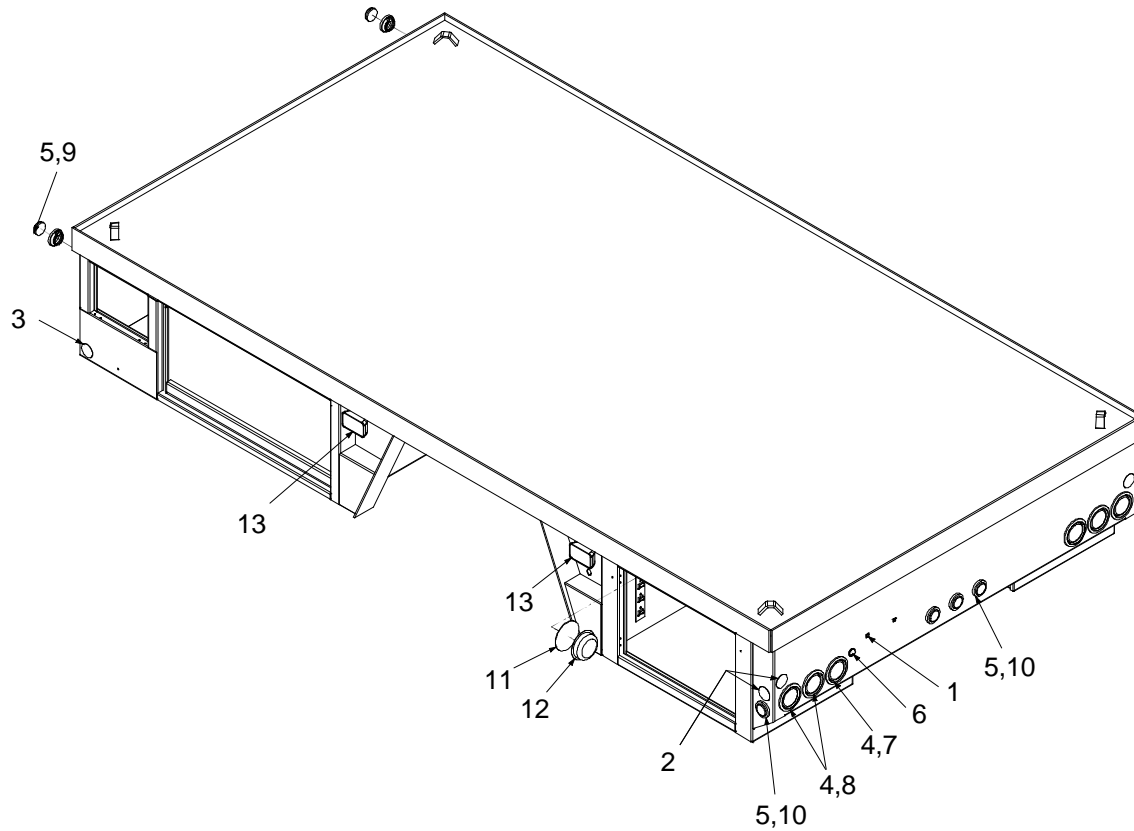
51717866 PARTS LIST			
ITEM	PART #	DESCRIPTION	QUANTITY
1.	52717916	TANK WELDMENT, 80-GAL TIRE FLUID	1
2.	72060092	CAP SCR 0.5-13 X 1.25 HHGR5Z	4
3.	72063005	WASHER 0.50 FLAT	8
4.	72062080	NUT 0.50-13 HEX NYLOC ZINC	4
5.	72066000	CLAMP-HOSE 0.50-1.25 SAE 12	2
6.	72532681	SIGHT GAUGE-.75 PLUG W/REFLECT.	3
7.	72053556	ELBOW-STREET STL 0.75X90 DEG	1
8.	72053458	NIPPLE-BARB BRS .75 MPT	2
9.	73054230	VALVE-BALL 0.75	1
10.	89392349	HOSE-GP .75 X 250 WP GRAY	12
20080218			

Hose Reel Compartment (51712825)



51712825 PARTS LIST			
ITEM	PART #	DESCRIPTION	QUANTITY
1.	52712820	HOSEREEL COMPARTMENT	1
2.	60120646	DOOR, HOSEREEL COMPARTMENT	1
3.	72661383	HINGE, SS 10GA BUTT	2
4.	72601652	SCR-MACH 1/4-20 X 3/4 TORXSS	8
5.	72062194	NUT-SS 1/4-20 NYLOC	8
6.	76394102	GASKET-LATCH 1PT	1
7.	72661512	LATCH ASM	1
8.	89393607	WEATHERSTRIP	6
9.	60118834	MOUNTING BRACKET	1
10.	72066376	PLUNGER/SOCKET	1
11.	72063000	WASHER 0.19	7
12.	72060636	SCR-MACH #10-24 X 3/4	5
13.	72062106	NUT #10-24 HEX NYLOC	5
14.	72060047	CAP SCR 3/8-16 X 1.25	4
15.	72063003	WASHER 3/8 FLAT	8
16.	72062103	NUT 3/8-16 HEX NYLOC	4
REV 20080225			

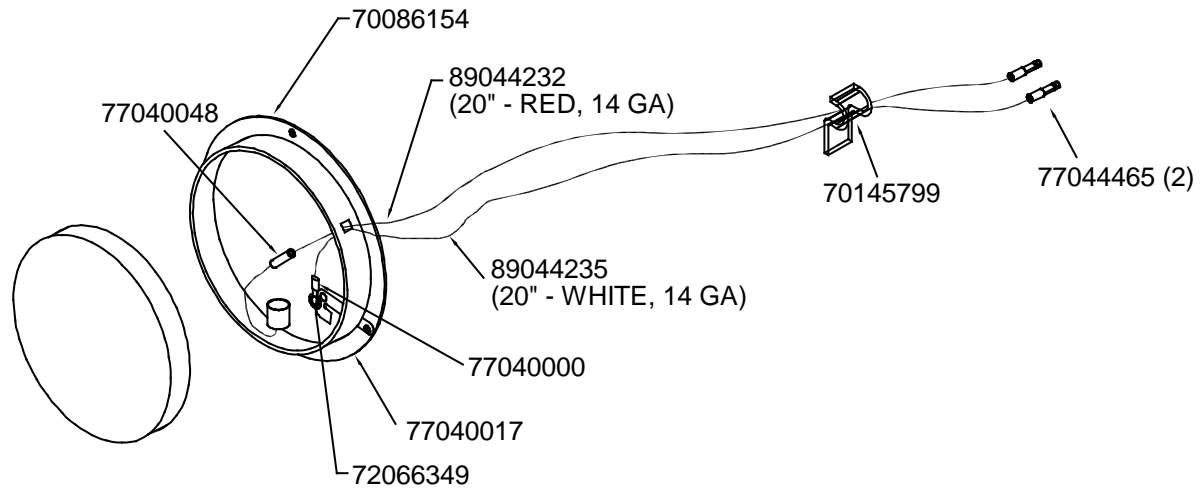
OTR Lighting Installation (99904674)



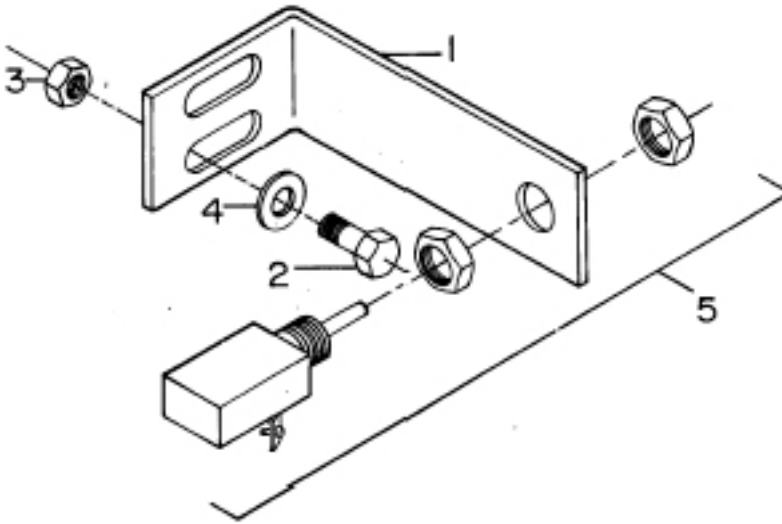
NOTE: 93-15 BODY SHOWN. OTHER INSTALLATIONS ARE SIMILAR.

99904674 PARTS LIST			
ITEM	PART #	DESCRIPTION	QUANTITY
1.	51715985	KIT-LICENSE PLATE HARDWARE	1
2.	70039057	REFLECTOR-RED ROUND	4
3.	70039058	REFLECTOR-AMBER ROUND	2
4.	76392275	GROMMET-TAIL LIGHT	6
5.	76392610	GROMMET-RUBBER 2.50	7
6.	77040006	LIGHT-LICENSE PLATE	1
7.	77040180	LIGHT-BACKUP	2
8.	77040493	LIGHT-STOP/TURN/TAIL LED 4"	4
9.	77040495	LIGHT-CLEAR AMBER LED 2.5in DIA OPT	2
10.	77040496	LIGHT-CLEAR RED LED 2.5in DIA OPT	5
11.	70086154	TAPE-DUBL KOTE .12 X 6.00 DIA	A/R
12.	77040017	LIGHT-COMPARTMENT	A/R
13.	77040424	FLOODLIGHT-COMPOSITE WORK LAMP TOP MTG	A/R
14.	77044921	HARNESS-OTR BODY TRUCK LIGHT	1
15.	77441337	HARNESS-OTR LIGHTING 2009	1

Compartment Light Kit (51706356)

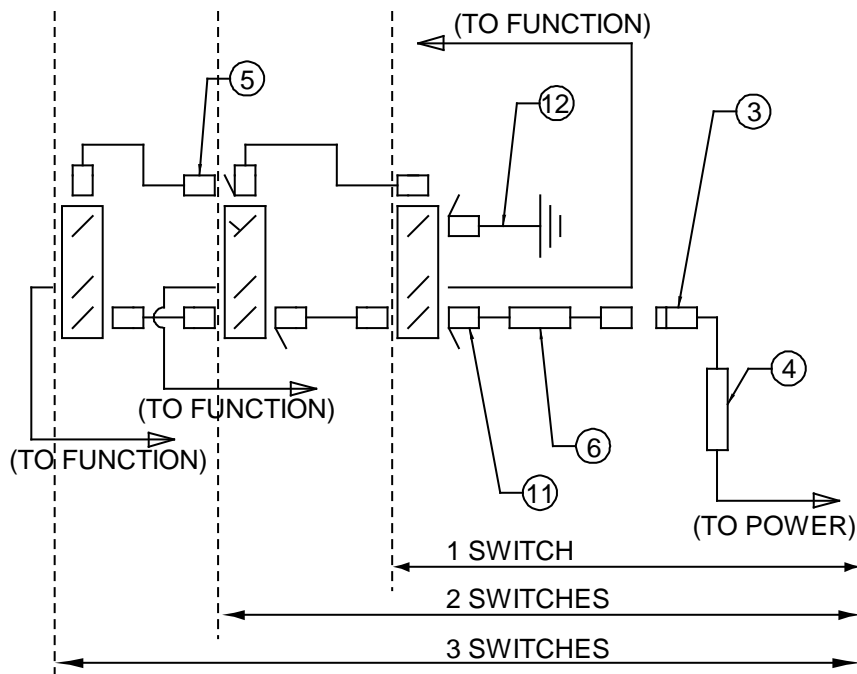
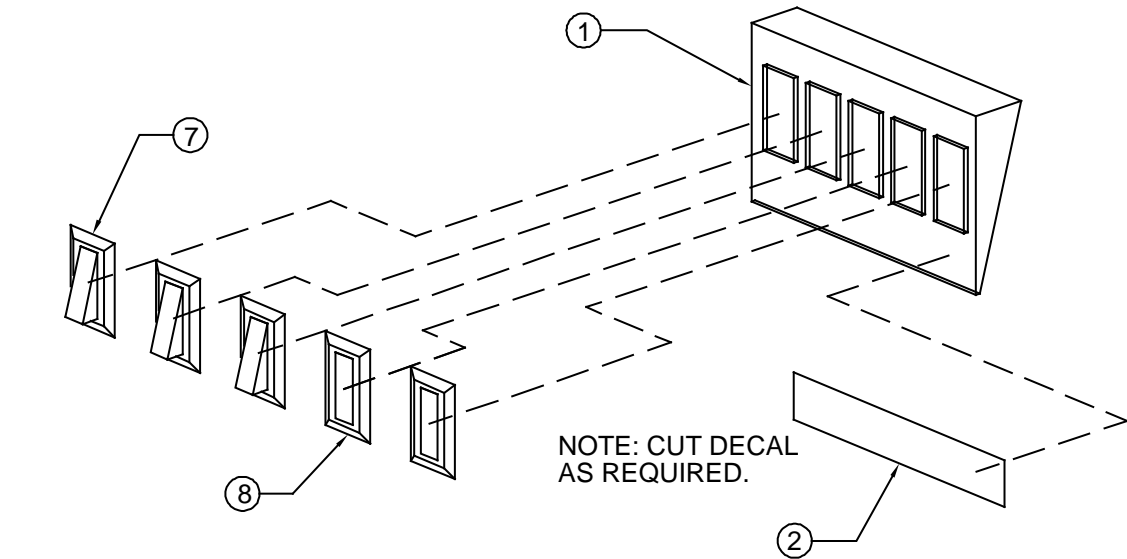


Door Activated Switch Kit (51707400)



51707400 PARTS LIST			
ITEM	PART #	DESCRIPTION	QUANTITY
1.	60111003	BRACKET	1
2.	72060004	CAP SCR 1/4-20 X 1 HHGR5Z	2
3.	72062104	NUT 1/4-20 LOCK	2
4.	72063001	WASHER 1/4 WRT	4
5.	77041015	SWITCH	1
6.	77040048	BUTT CONNECTOR	2
7.	77040051	TERMINAL	2
20080222			

Light Switch Kits

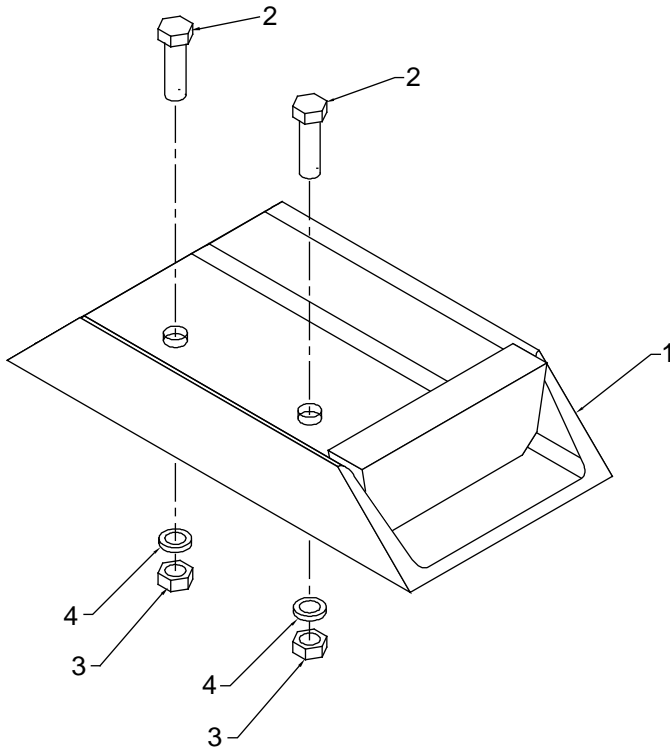


NOTES:

- 1 DECAL (#2) PROVIDES 5 FUNCTIONS. CUT AS REQUIRED.
- 2 USE SCREW #10 TO MOUNT BRACKET #1. USE WIRE #13 AS NECESSARY.

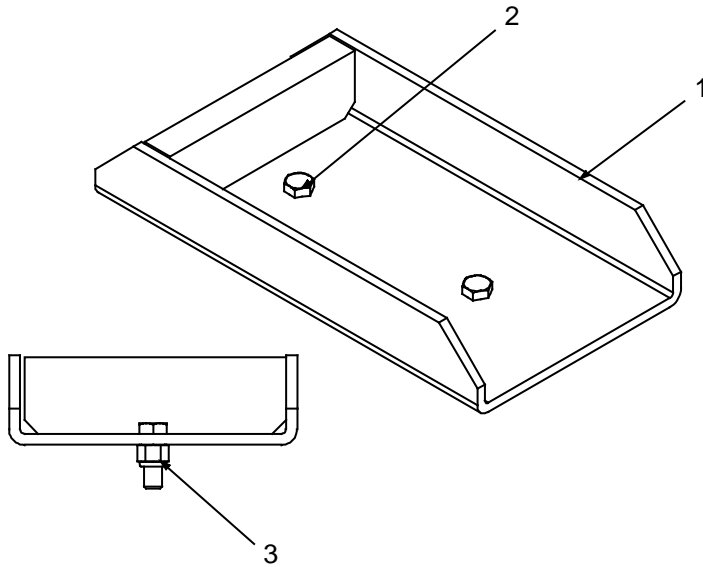
LIGHT SWITCH KITS PARTS LIST					
ITEM	PART #	DESCRIPTION	1-SWITCH KIT (51706353)	2-SWITCH KIT (51706354)	3-SWITCH KIT (51706355)
1.	70034376	SWITCH BRACKET	1	1	1
2.	70393153	DECAL (SEE NOTE)	1	1	1
3.	77040047	TERMINAL-MSLPON 1/4 TAB	1	1	1
4.	77040048	BUTT CONNECTOR	1	1	1
5.	77040186	TERMINAL-FMSLPON 1/4 TAB	3	5	7
6.	77041056	FUSE 20 AMP IN-LINE	1	1	1
7.	77041386	SWITCH-SGL POLE LIT	1	2	3
8.	77041387	SWITCH PLATE-BLANK	4	3	2
9.	89044232	WIRE, 14GA RED	SPEC LENGTH	SPEC LENGTH	SPEC LENGTH
10.	72061144	SCREW, SHT METAL #10X1/2	2	2	2
11.	77040137	TERMINAL, FEM SLPON #12-10 1/4 TAB		2	4
12.	89044274	WIRE-14 GA BLK	SPEC LENGTH	SPEC LENGTH	SPEC LENGTH
13.	89044271	WIRE-14 GA BLUE	SPEC LENGTH	SPEC LENGTH	SPEC LENGTH
14.	77040053	RING TERMINAL	1	1	1
20080222					

Saddle Kit, TH7/TH10 or OTR (31704683)



31704683 PARTS LIST			
ITEM	PART #	DESCRIPTION	QUANTITY
1.	52702524	SADDLE WELDMENT	1
2.	72060064	CAP SCREW 0.44-14 X 1.5 HHGR5Z	2
3.	72062003	NUT 0.44-14 HEX ZINC	2
4.	72063052	WASHER 0.44 LOCK ZINC	2
REV A 20080222			

Saddle Kit, TH12 or OTR (31704684)



31704684 PARTS LIST			
ITEM	PART #	DESCRIPTION	QUANTITY
1.	52704685	SADDLE	1
2.	72060093	CAP SCR 1/2-13 X 1.5 HHGR5Z	2
3.	72062080	NUT 1/2-13 HEX NYLOC	2
20080220			

CHAPTER 6

Safety Equipment

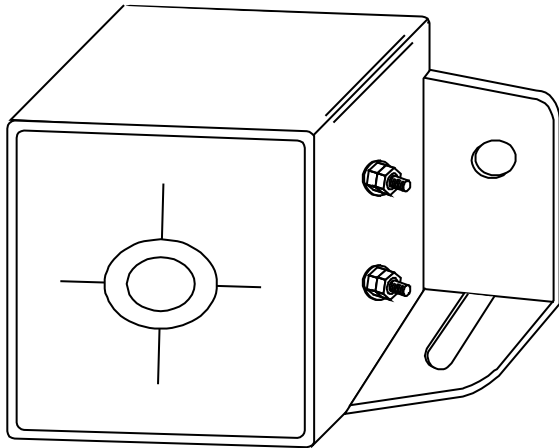
In This Chapter

Safety Kit (92091010).....	43
Electric Backup Alarm (77040020)	44
Beacon Light Kit, Low Mount (51714604).....	45

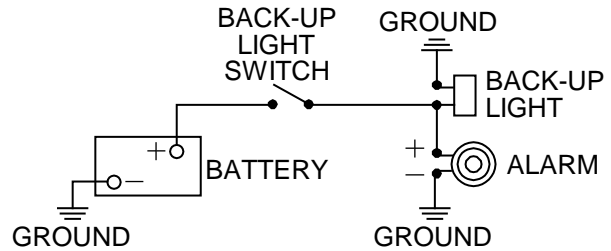
Safety Kit (92091010)

92091010 PARTS LIST			
ITEM	PART #	DESCRIPTION	QUANTITY
1.	70073146	TRIANGULAR REFLECTOR KIT (INCLUDES 3 REFLECTORS AND CASE)	1
2.	70073147	FIRE EXTINGUISHER (WITH BRACKET)	1
INDIVIDUAL FIRE EXTINGUISHERS			
REF	70073622	FIRE EXTINGUISHER - 10 LB W/BRACKET	
REF	70073091	FIRE EXTINGUISHER - 20 LB W/BRACKET	

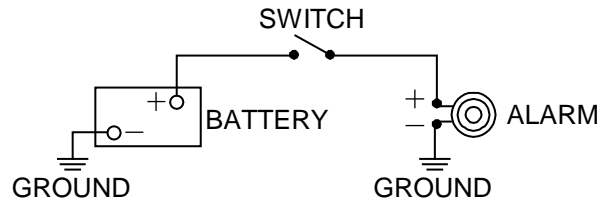
Electric Backup Alarm (77040020)



INSTALLATION WITH BACK-UP LIGHT NEGATIVE GROUND



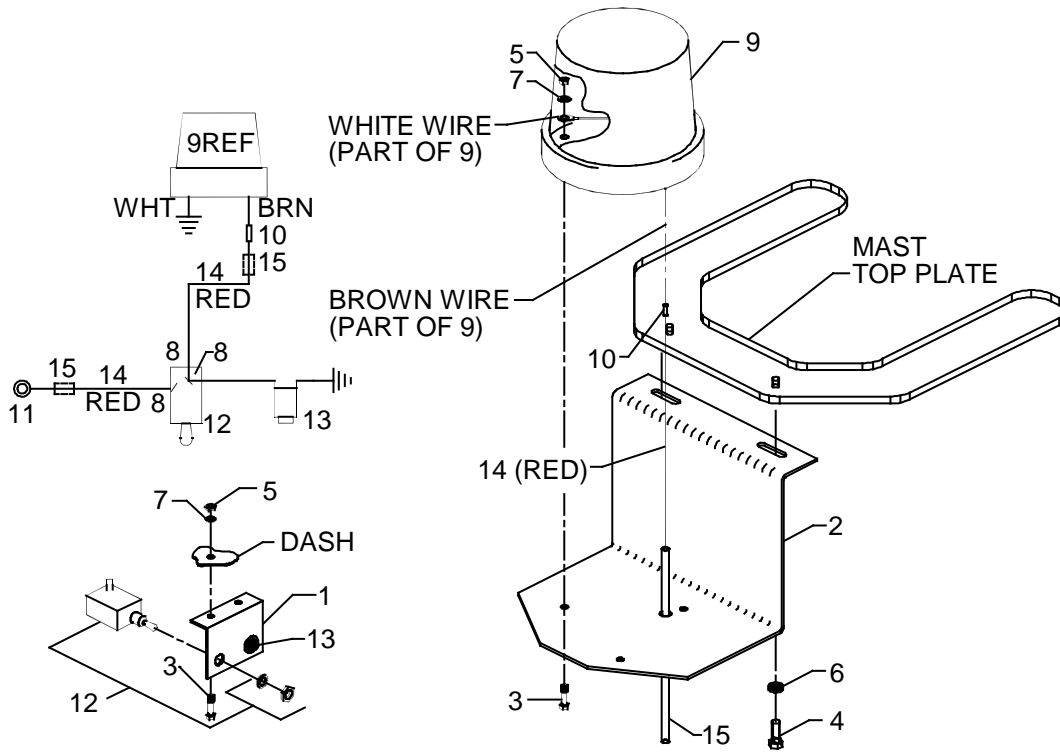
INSTALLATION WITH SWITCH NEGATIVE GROUND



NOTE:

USE 5/16" MOUNTING SCREWS AND LOCK NUTS (NOT INCLUDED). SEE INSTALLATION INSTRUCTIONS WHICH ACCOMPANY ALARM.

Beacon Light Kit, Low Mount (51714604)



51714604 PARTS LIST			
ITEM	PART #	DESCRIPTION	QUANTITY
1.	60103464	BRACKET-DASH BEACON LIGHT	1
2.	60110337	BRACKET-BEACON LIGHT	1
3.	72060004	CAP SCR 1/4-20 X 1 HHGR5	5
4.	72060046	CAP SCR 3/8-16 X 1 HHGR5	2
5.	72062000	NUT 1/4-20 HEX	5
6.	72063051	WASHER 3/8 LOCK	2
7.	72063049	WASHER 1/4 LOCK	5
8.	77040000	TERMINAL-RING I #10 STUD 16-14 GA	3
9.	77040013	BEACON LIGHT, AMBER	1
10.	77040048	TERMINAL-BUTT CONN	1
11.	77040053	TERMINAL-RING	1
12.	77041345	TOGGLE SWITCH	1
13.	77042001	LIGHT-RED INDICATOR	1
14.	89044001	WIRE-14 GA	18'
15.	89044056	LOOM-0.31 ID (BULK)	18'
REV A 20080222			

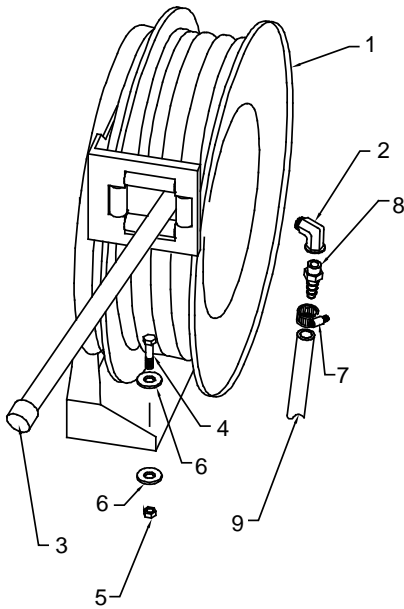
CHAPTER 7

Hose Reels & Meters

In This Chapter

Hose Reel Kit, 1/2 x 50' (51706347)	47
Hose Reel Kit, 3/8 x 35' (51706348)	48

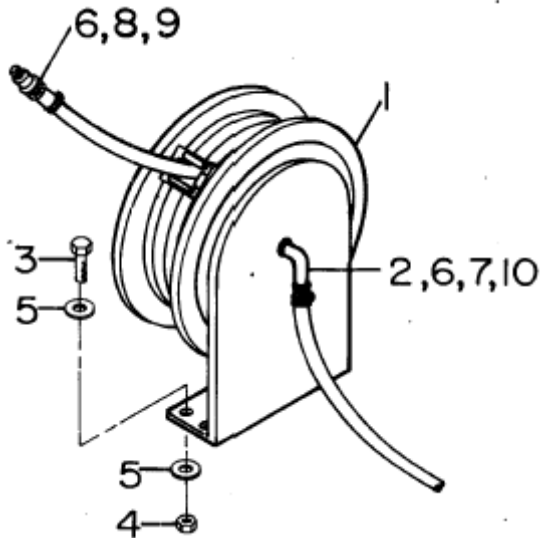
Hose Reel Kit, 1/2 x 50' (51706347)



51706347 PARTS LIST

ITEM	PART #	DESCRIPTION	QUANTITY
1.	70732096	REEL, AIR, 1/2" X 50'	1
2.	72531133	ELBOW-STREET STL 1/2 X 90 DEG	1
3.	72053810	CAP-PIPE BLK 1/2	1
4.	72060046	CAP SCR 3/8 -16 X 1 HHGR5Z	4
5.	72062103	NUT 3/8 -16 HEX NYLOC	4
6.	72063003	WASHER 3/8 FLAT	8
7.	72661657	CLAMP-.75 STEPLESS EAR (WAS 72066000)	2
8.	72531547	NIPPLE-BRS BARB 1/2 MPT	2
9.	89392349	HOSE-GP 3/4 X 300# WP (GRAY)	36"
REV. G 20080613			

Hose Reel Kit, 3/8 x 35' (51706348)



51706348 PARTS LIST			
ITEM	PART #	DESCRIPTION	QUANTITY
1.	70073625	HOSE REEL-3/8 X 35'	1
2.	72053283	ELBOW-STREET BLK 3/8 X 90DEG	1
3.	72060025	CAP SCR 0.31-18 X 1 HHGR5Z	4
4.	72062109	NUT 0.31-18 HEX NYLOC	4
5.	72063002	WASHER 0.31 FLAT	8
6.	72066061	CLAMP-HOSE	2
7.	72531543	NIPPLE-BARB BRS 3/8 MPT 0.50	1
8.	72532021	QUICK DISCONNECT 1/4FPT	1
9.	72532038	NIPPLE-DISC 1/4FPT	1
10.	89039176	HOSE-AIR 1/2 X 250'	36"
REV A 20080222			

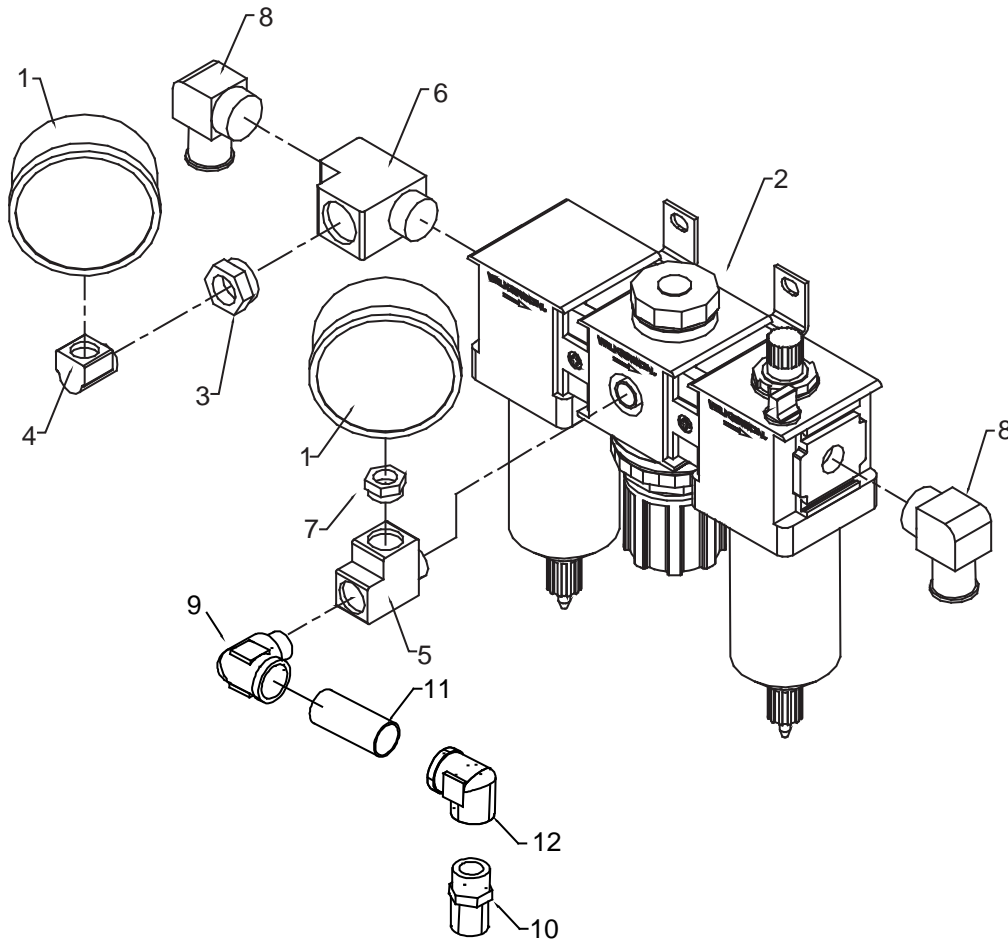
CHAPTER 8

Air System Options

In This Chapter

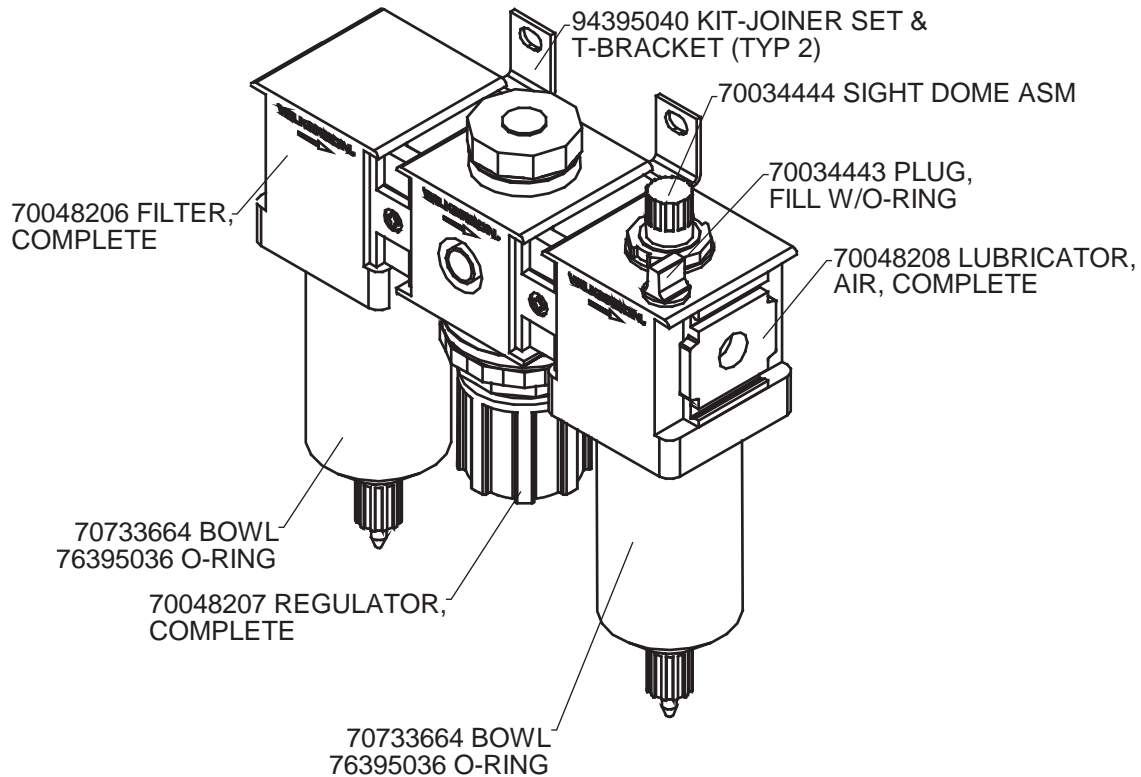
FLR Assembly (51715850)	50
Moisture Separator/Regulator/Oiler Assemblies	52
Air Tank Kit, Dual 15 Gal (51709693)	53
Air Tank Kit, 22.5 Gallon (51706697).....	55
Air Tank Kit, 15 Gal (51707363)	56
Air Tank Kit, Dual 15-gallon (51706351).....	58
Air Tank Drain Assembly (51709358)	59
Stepless Ear Clamp Installation (99904411).....	61
Remote Oil Cooler Kit (51713693).....	62

FLR Assembly (51715850)



51715850 PARTS LIST			
ITEM	PART #	DESCRIPTION	QUANTITY
1.	70048205	AIR PRESSURE GAUGE 300PSI	2
2.	70073310	MOISTURE SEP/REG/OILER	1
3.	72531812	REDUCER BUSHING 1/2-1/4NPT BRS	1
4.	72532974	STREET ELBOW 1/4NPT 90° SHORT	1
5.	72533586	TEE 3/8NPT BRS RUN	1
6.	72533587	TEE 1/2NPT BRS RUN	1
7.	72533588	REDUCER BUSHING 3/8-1/4NPT BRS	1
8.	72533592	BARB NIPPLE 1/2MPT 3/4NPT 90°	2
9.	72533644	ELBOW 3/8 MPT 1/2 FPT	1
10.	72533645	BARB NIPPLE 1/2 MPT 3/4 HOSE	1
11.	72534399	PIPE NIPPLE BRS 1/2 X 2	1
12.	72534400	ELBOW BRS 1/2FPT X 1/2 FPT X 90	1
REV C 20080222			

51715850 FLR COMPONENTS

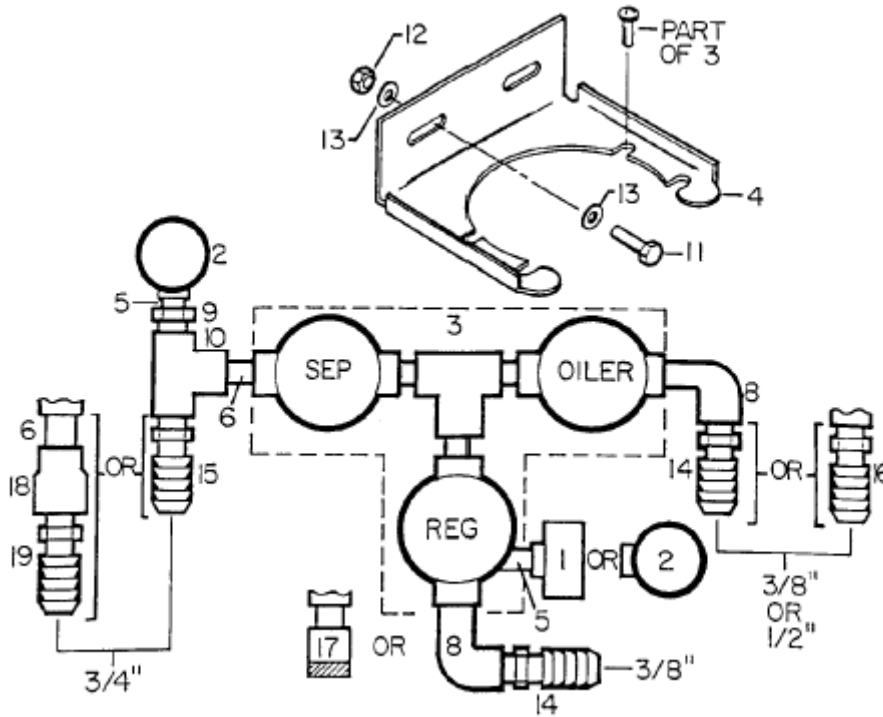
**COMPONENT PART ASSEMBLIES:**

70048206 FILTER REPLACEMENT PARTS INCLUDE 94395039 ELEMENT KIT (5-MICRON ELEMENT, ELEMENT RETAINER, DEFLECTOR, AND BOWL O-RING) AND 70048209 ELEMENT (5-MICRON ELEMENT ONLY).

70048207 AIR REGULATOR REPLACEMENT PARTS INCLUDE 94395037 DIAPHRAGM KIT AND 70145777 SPRING, AIR REGULATOR.

70048208 LUBRICATOR REPLACEMENT PARTS INCLUDE 94395038 BY-PASS KIT, WHICH INCLUDES MODULE, CHECK BALLS, ELASTOMER, AND GASKET.

Moisture Separator/Regulator/Oiler Assemblies

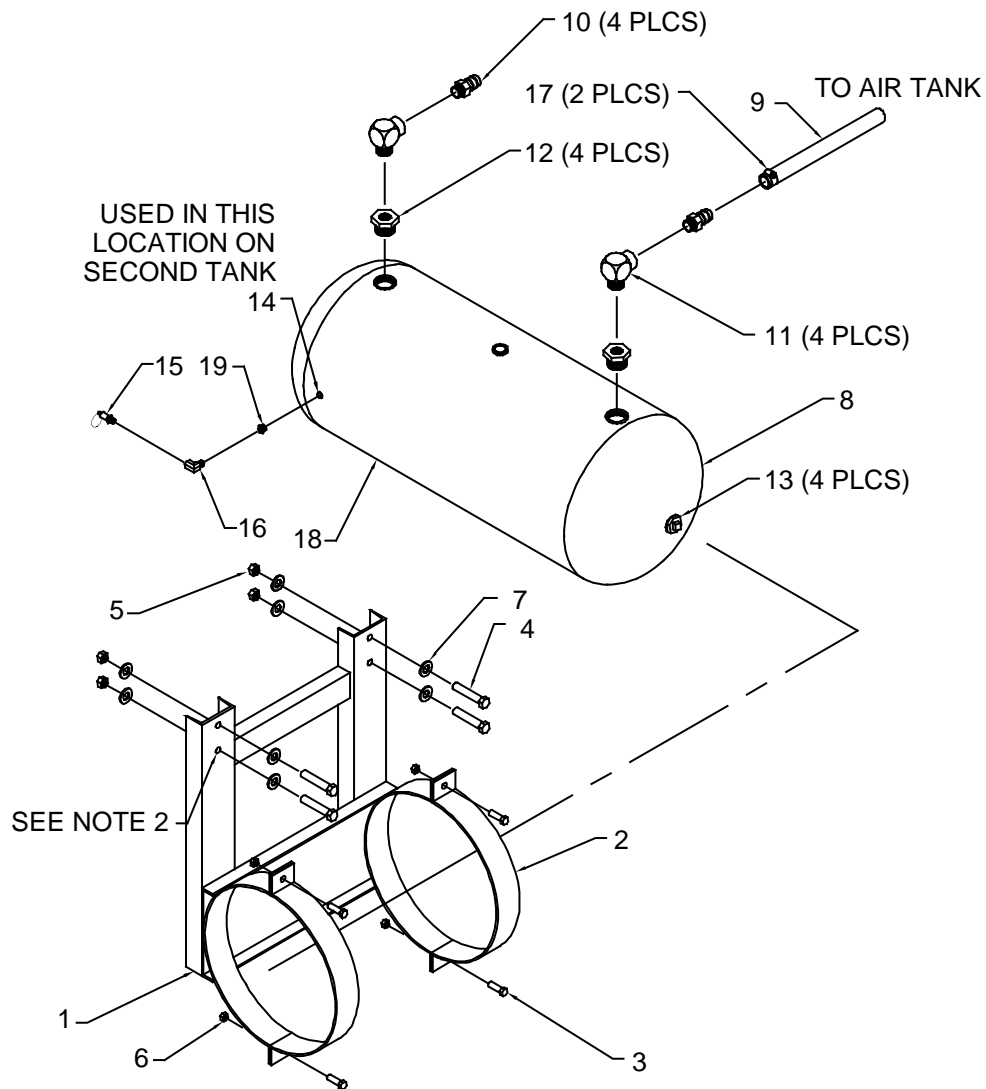


MOISTURE SEPARATOR/REGULATOR/OILER ASSEMBLIES	
3/8" HOSE REEL	PART NUMBER 51706341
1/2" HOSE REEL	PART NUMBER 51706342
3/8 & 1/2" HOSE REEL	PART NUMBER 51706343

MOISTURE SEPARATOR/REGULATOR/OILER ASSEMBLIES PARTS LIST		
ITEM	PART #	DESCRIPTION
1.	70048015	AIR PRESSURE GAUGE-300 PSI REAR MOUNT
2.	70048036	AIR PRESSURE GAUGE-300 PSI SIDE MOUNT
3.	70073439	SEP/REG/OILER ASSEMBLY
4.	70141473	MOUNTING BRACKET
5.	72053013	PIPE NIPPLE 1/4 X CLOSE
6.	72053090	PIPE NIPPLE 1/2 X CLOSE
7.	72053243	PIPE PLUG 1/2 HOL HEX
8.	72053284	STREET ELBOW 1/2 X 90DEG
9.	72053374	RED BUSHING 1/2 X 1/4
10.	72053603	TEE, 1/2
11.	72060004	CAP SCREW 1/4-20 X 1 HHGR5Z
12.	72062104	NUT 1/4-20 LOCK
13.	72063001	WASHER 1/4 WRT
14.	72531541	BARBED NIPPLE 1/2 MPT X 3/8 BARB

MOISTURE SEPARATOR/REGULATOR/OILER ASSEMBLIES PARTS LIST		
ITEM	PART #	DESCRIPTION
15.	72531547	BARBED NIPPLE 1/2 MPT X 3/4 BARB
16.	72053457	BARBED NIPPLE 1/2 MPT X 1/2 BARB
17.	72532281	QUICK COUPLER 1/4
18.	72053435	REDUCER COUPLING 3/4 X 1/2
19.	72053458	BARBED NIPPLE 3/4 MPT X 3/4 BARB
20080222		

Air Tank Kit, Dual 15 Gal (51709693)



NOTES:

- 1 LOCATE DECAL AS CLOSE TO DRAIN VALVE AS POSSIBLE, IN CLEAR VIEW OF OPERATOR.
- 2 FITTING CONFIGURATION MAY VARY PER APPLICATION. TANK BRACKET MAY BE MOUNTED INVERTED OR ROTATED 180° AS REQUIRED PER APPLICATION.

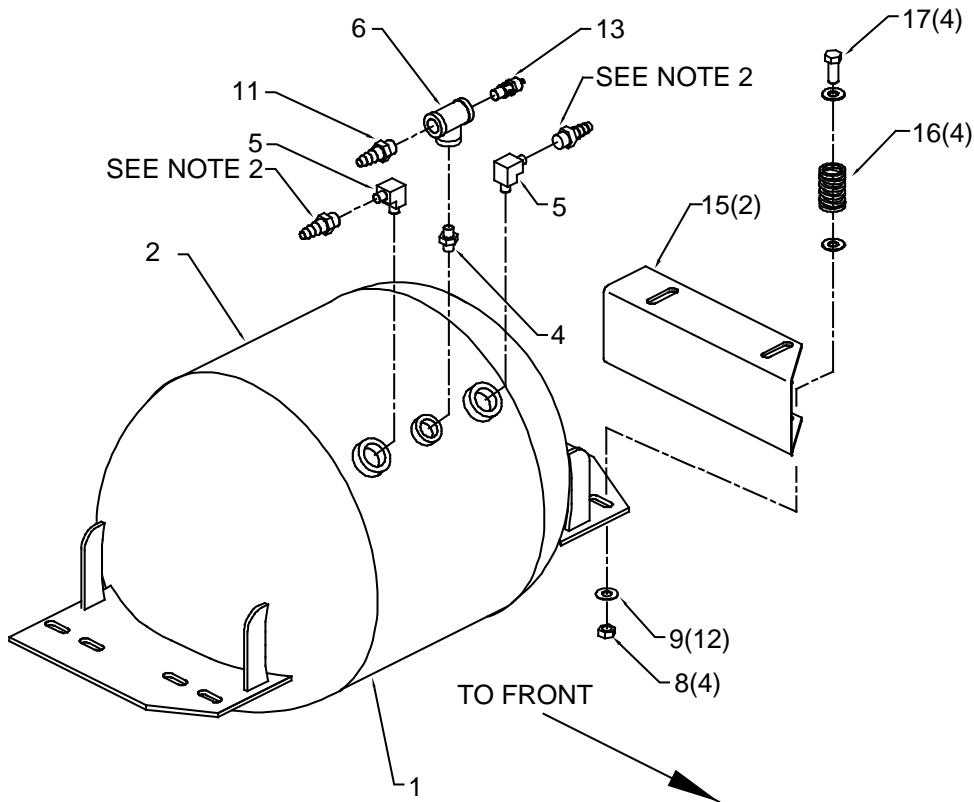
51709693 PARTS LIST			
ITEM	PART #	DESCRIPTION	QUANTITY
1.	52709697	TANK BRKT-SGL 15GAL	2
2.	60106492	BRACKET, AIR TANK	4
3.	72060048	CAP SCR 3/8-16 X 1.5	8
4.	72060096	CAP SCR 1/2-13 X 2.50	8
5.	72062080	NUT 1/2-13 HEX SELF LOCK	8
6.	72062103	NUT 3/8-16 HEX SELF LOCK	8
7.	72063005	WASHER 1/2 FLAT	16
8.	70073062	TANK, AIR 15 GAL	2
9.	89392349	HOSE-GP 3/4" 200 PSI	8'
10.	72532559	HOSE FTG 3/4 3/4 BRS	4
11.	72053556	ELBOW STR 3/4X90°	4
12.	72053180	RED BUSHING 1.25-.75	4
13.	72053397	PIPE PLUG 1.25 HOL HEX	4
14.	72053246	PLUG-PIPE 3/8 SQHD	1
15.	73054032	SAFETY VALVE	1
16.	72053282	ELBOW STREET 1/4 X 90°	1
17.	72066000	HOSE CLAMP	2
18.	51713771	DRAIN ASM, DUAL TANK	1
19.	72053372	RED BUSHING 3/8-1/4	1
20.	71393886	DECAL-DANGER AIR TANK	1

REV. B 20051128

NOTE:

- 1 NOT USED ON 3/4 & 1-TON CHASSIS.

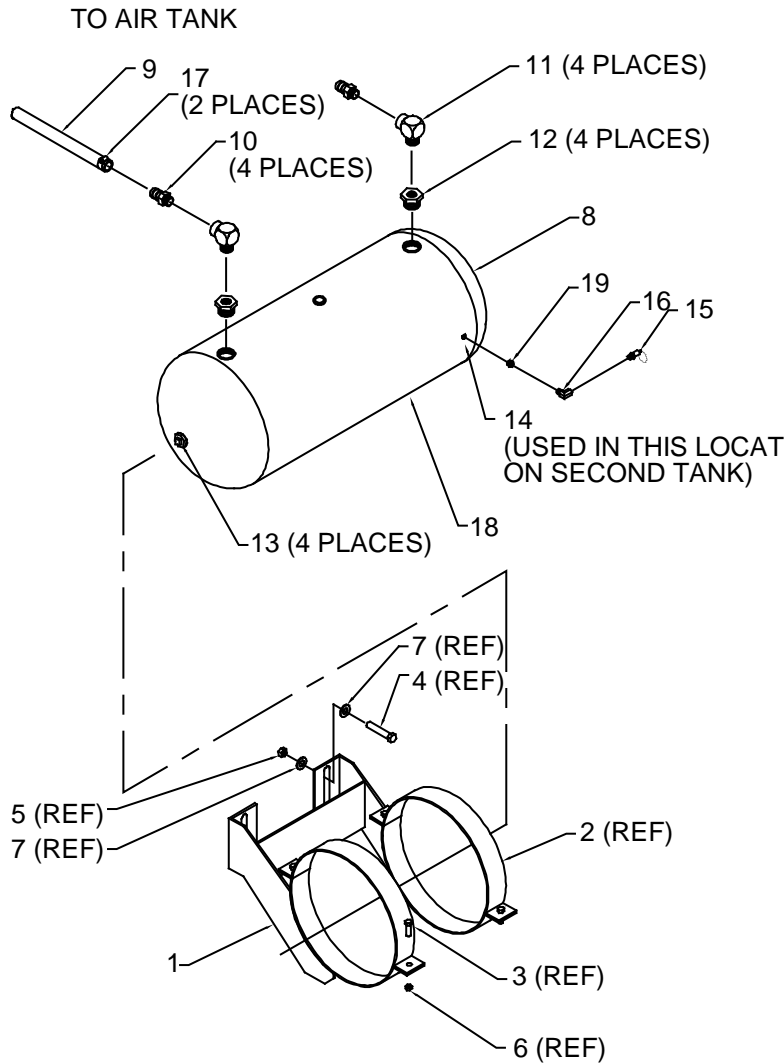
Air Tank Kit, 22.5 Gallon (51706697)



51706697 PARTS LIST			
ITEM	PART #	DESCRIPTION	QUANTITY
1.	51709358	DRAIN ASM (INCL:1)	1
2.	70731788	AIR TANK 22-1/2 GALLON	1
4.	72053517	ADAPTER 1/4MPT 1/4MPT HEX	1
5.	72053556	STREET ELBOW 3/4NPT 90°	2
6.	72053610	TEE 1/4	1
7.	72060093	CAP SCR 1/2-13X1-1/2 HHGR5 (WAS 72060092)	4
8.	72062080	NUT 1/2-13 LOCK	4
9.	72063005	WASHER 1/2 WRT	12
10.	72531836	REDUCER BUSHING 1-1/4X3/4NPT	2
11.	72532552	HOSE FTG TYPE O 1/4 1/4	1
13.	73054032	SAFETY VALVE 1/4 200PSI	1
14.	71393886	DECAL-DANGER EXPLODING TANK	1
15.	60113718	BRACKET	2
16.	70144807	SPRING	4
17.	72060920	CAP SCR 1/2-13X3-1/4 HHGR5	4
REV. J 20060329			

51707363 PARTS LIST			
ITEM	PART #	DESCRIPTION	QUANTITY
6.	72661657	CLAMP-.75 STEPLESS EAR (WAS 72066000)	2
7.	89392349	HOSE-GP .75 X 250 WP GRAY 801	0.583 FT
8.	73054032	VALVE-PRESS RELIEF .25 200 PS	1
9.	51713771	DRAIN ASM-DUAL AIR TANKS	1
10.	72053282	ELBOW-STREET BLK .25 X 90 DEG	1
11.	72060093	CAP SCR .50-13X 1.50 HH GR5 Z	4
12.	72063005	WASHER .50 W FLAT ANSI B27.2Z	4
13.	72062080	NUT .50-13 HEX NYLOC ZINC	4
14.	72053397	PLUG-PIPE SOC HEX BLK 1.25	4
15.	72053246	PLUG-PIPE SQ HD BLK .38	1
16.	72053372	REDUCER BUSH-BLK .38- .25	1
17.	71393886	DECAL-DANGER EXPLODING TANK	1
REV. C 20080613			

Air Tank Kit, Dual 15-gallon (51706351)



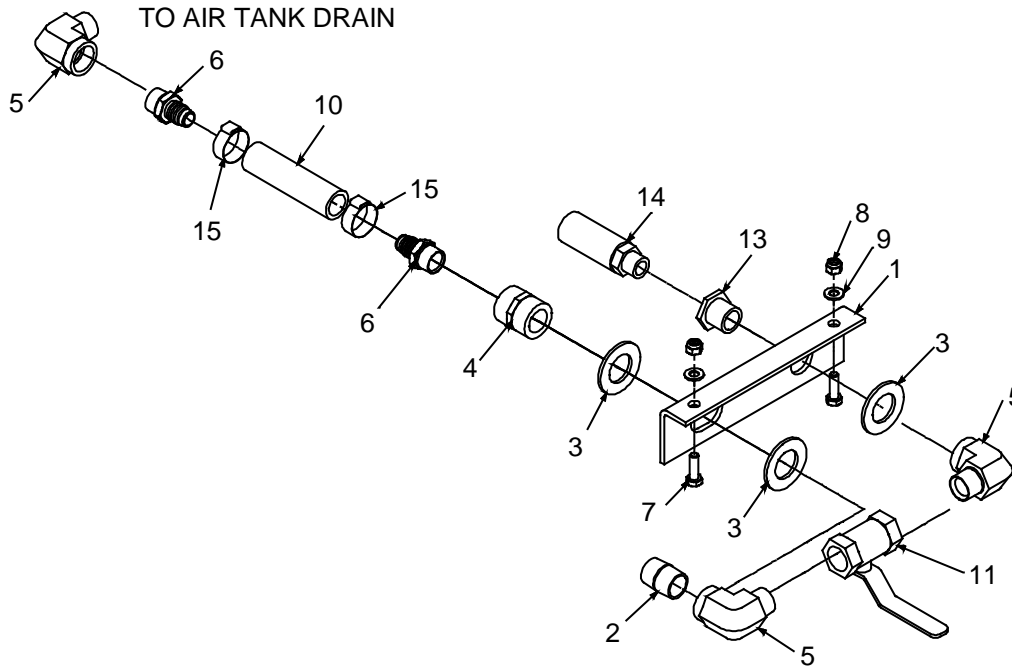
NOTE:

- 1 LOCATE DECAL AS CLOSE TO DRAIN VALVE AS POSSIBLE IN CLEAR VIEW OF OPERATOR.

51706351 PARTS LIST			
ITEM	PART #	DESCRIPTION	QUANTITY
1.	51705427	TANK BRACKET, SINGLE 15-GAL (INCL 2-7)	2
2.	60106492	BRACKET, AIR TANK (PART OF 1)	4REF
3.	72060048	CAP SCREW 3/8-16 X 1.5 (PART OF 1)	8REF
4.	72060096	CAP SCREW 1/2-13 X 2.5 (PART OF 1)	8REF
5.	72062080	NUT 1/2-13 HEX SELF LOCK (PART OF 1)	8REF
6.	72062103	NUT 3/8-16 HEX SELF LOCK (PART OF 1)	8REF
7.	72063005	WASHER 1/2 FLAT (PART OF 1)	16REF
8.	70073062	TANK-AIR, 15 GAL	2
9.	89392349	HOSE-GP 3/4" 200 PSI	8'
10.	72532559	HOSE FITTING 3/4 3/4 BRASS	4
11.	72053556	ELBOW-STREET 3/4 X 90 DEG	4

51706351 PARTS LIST			
ITEM	PART #	DESCRIPTION	QUANTITY
12.	72053180	REDUCER BUSHING 1.25-.75	4
13.	72053397	PIPE PLUG 1.25 HOL HEX	4
14.	72053246	PIPE PLUG 3/8 SQUARE HEAD	1
15.	73054032	CHECK VALVE	1
16.	72053282	ELBOW-STREET 1/4 X 90 DEG	1
17.	72066000	HOSE CLAMP 0.50 - 1.25	2
18.	51713771	DRAIN ASM	1
19.	72053372	REDUCER BUSHING 0.38-0.25	1
20.	71393886	DECAL-DANGER AIR TANK	1
REV B 20080225			

Air Tank Drain Assembly (51709358)



NOTE:

- ITEM#12, DECAL-AIR TANK DRAIN, IS NOT SHOWN. LOCATE DECAL AS CLOSE TO DRAIN VALVE AS POSSIBLE, IN CLEAR VIEW OF OPERATOR.

51709358 PARTS LIST			
ITEM	PART #	DESCRIPTION	QUANTITY
1.	60116097	MOUNTING BRACKET, 3/4 AIR TANK DRAIN	1
2.	72053141	NIPPLE-PIPE BLK 3/4XCLOSE	1
3.	72063066	WASHER-FLAT 1"	3
4.	72053472	COUPLING-STL 3/4 HEX	1
5.	72053556	ELBOW-STREET STL 3/4 X 90	3
6.	72053458	NIPPLE-BARB BRS 3/4 MPT	2
7.	72060025	CAP SCR 5/16-18X1 HHGR5	2
8.	72062109	NUT 5/16-18 HEX NYLOC	2
9.	72063002	WASHER 5/16 FLAT	2
10.	89392349	HOSE-GP 3/4X300# WP	10'
11.	73054230	VALVE-BALL 3/4	1
12.	70391601	DECAL-AIR TANK DRAIN	1
13.	72531833	REDUCER BUSHING-STEEL .75-.50	1
14.	70396133	MUFFLER-AIR 1/2 NPT	1
15.	72661657	CLAMP-.75 STEPLESS EAR (WAS 72066000)	2
REV. M 20110520			

Stepless Ear Clamp Installation (99904411)

INSTALLING A STEPLESS EAR CLAMP

When there is sufficient room, use standard jaw pincers to position a properly-sized ear clamp on a hose fitted with a hose stem. Close ear clamp fully with uniform force until there is only a 1/16" gap remaining. The visible deformation of the clamp ear provides a visible, instant check that the closure is complete.



INSTALLING A STEPLESS EAR CLAMP IN RESTRICTED SPACE

When space is restricted, use side jaw pincers held parallel to the hose to position and clamp a properly-sized ear clamp on a hose fitted with a hose stem. Close ear clamp fully with uniform force until there is only a 1/16" gap remaining. The visible deformation of the clamp ear provides a visible, instant check that the closure is complete.



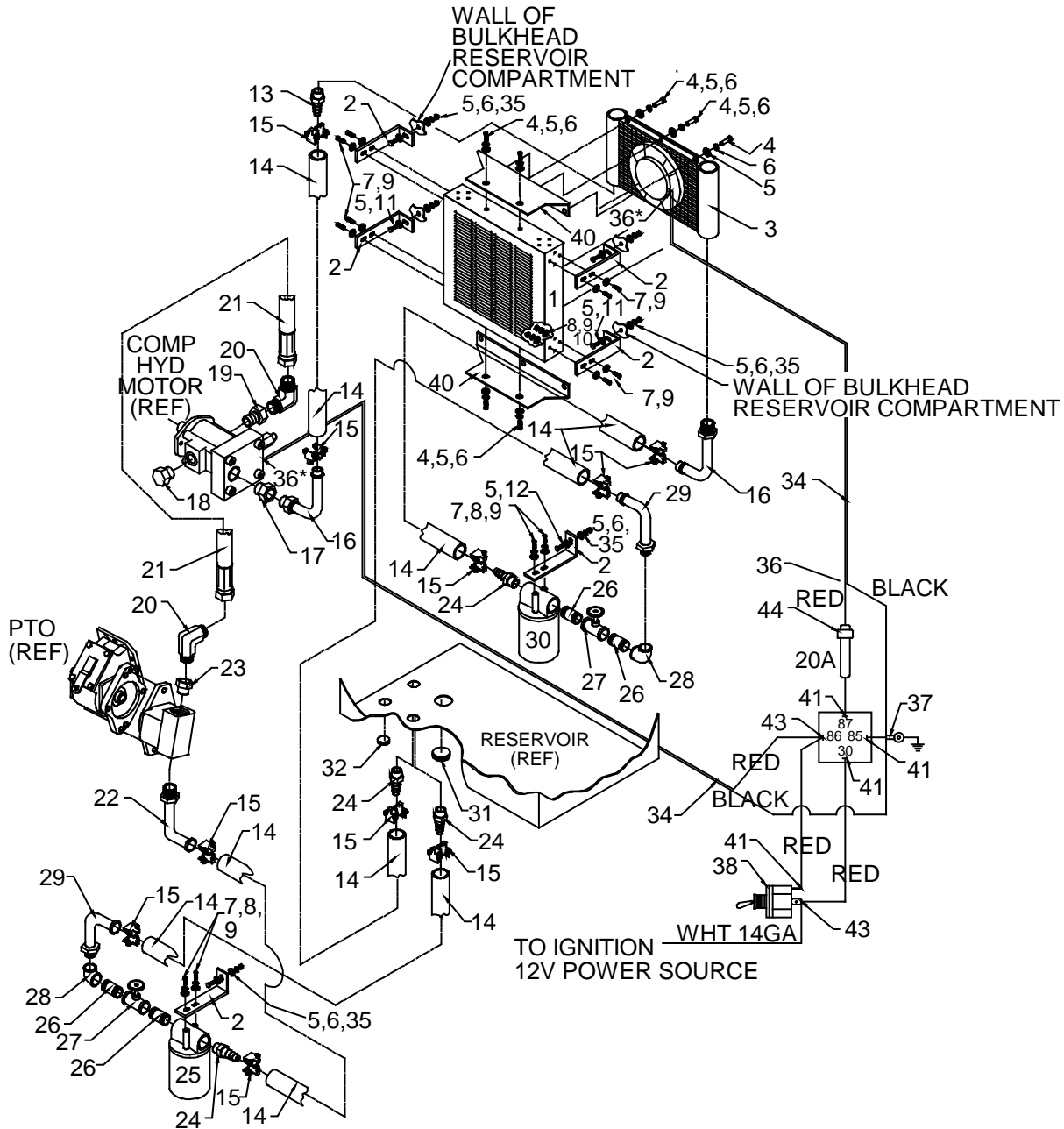
REMOVING A STEPLESS EAR CLAMP

To remove a stepless ear clamp, grasp the strip end with a pincer and pull it away.



NOTE: Stepless ear clamps can only be used once. When removed, they must be discarded and replaced with new clamps.

Remote Oil Cooler Kit (51713693)



- * NOTE:**
 1 INSTALL ADHESIVE HEAT-SHRINK WRAP ON CONNECTORS.

51713693 PARTS LIST			
ITEM	PART #	DESCRIPTION	QUANTITY
1.	52705023	OIL COOLER SHROUD	1
2.	60103870	MOUNTING BRACKET	6
3.	70143092	OIL COOLER WITH FAN	1
4.	72060046	CAP SCREW 3/8-16 X 1 HHGR5Z	10
5.	72063003	WASHER-FLAT 3/8	18
6.	72063051	WASHER LOCK 3/8	16
7.	72060025	CAP SCREW-0.31-18 X 1 HHGR5Z	12
8.	72063050	WASHER-LOCK 0.31	12
9.	72063002	WASHER -FLAT 0.31	24
10.	72062109	NUT-0.31-18 NYLOC	12
11.	72060047	CAP SCREW - 3/8-16 X 1.25 HHGR5Z	6
12.	72060048	CAP SCREW- 3/8-16 X 1.50 HHGR5Z	2
13.	72532833	NIPPLE-BEAD 1.0 MPT 1.25 HOSE	1
14.	89393401	HYDRAULIC HOSE 1.25 100R4	40'
15.	72661642	CLAMP-T-BOLT 1.75	10
16.	72532834	ELBOW-BEAD 90 DEG 1.00 MPT 1.25	2
17.	72053751	ADAPTER - MSTR/FPT #16 1.00	1
18.	72532145	PLUG-STR HEX SH 1.62	1
19.	72532949	ADAPTER-#20MSTR #12FSTR	1
20.	72053767	ELBOW #12MSTR/90/#12MJIC	2
21.	51713673	HOSE ASM-TYPE FF 3/4 X 135	1
22.	72532708	NIPPLE-BEAD 90 #16 STR 1.25	1
23.	72532948	ADAPTER-MSTR/FSTR #16 #12	1
24.	72531550	NIPPLE-BARB STL 1.25 MPT	4
25.	73052012	HYD SUCTION FILTER-100 MEST	1
26.	72053211	NIPPLE-PIPE BLACK 1.25 X CLOSE	4
27.	73054130	GATE VALVE 1.25 BRASS	2
28.	72053327	ELBOW-BLK 1.25 X 90	2
29.	72532346	NIPPLE-BARB 90	2
30.	73052091	HYD RETURN FILTER, 10 MIC 1.25 NPTF	1
31.	72053397	PLUG 1.25 NPT	1
32.	72053419	PLUG 2.00 NPT	1
33.	70034061	PLASTIC TIES	8
34.	89044188	WIRE-DUPLEX 14-2	12'
35.	72062103	NUT 3/8 NYLOC	8
36.	77040048	TERMINAL-BUTT CONN I 16-14	5
37.	77040060	TERMINAL-RING I #10 STUD 12-10GA	1
38.	77041345	TOGGLE SWITCH, SINGLE THROW	1
39.	60103535	SWITCH BRACKET-1 HOSE (NOT SHOWN)	1
40.	52713702	COOLER MOUNTING BRACKETS	2
41.	77040186	TERMINAL-FSLPON	4
42.	77041251	RELAY	1
43.	77040137	TERMINAL-FSLPON #12-10/0.25 TAB	2
44.	77041056	IN-LINE FUSE 20 AMP	1
REV. D 20080227			