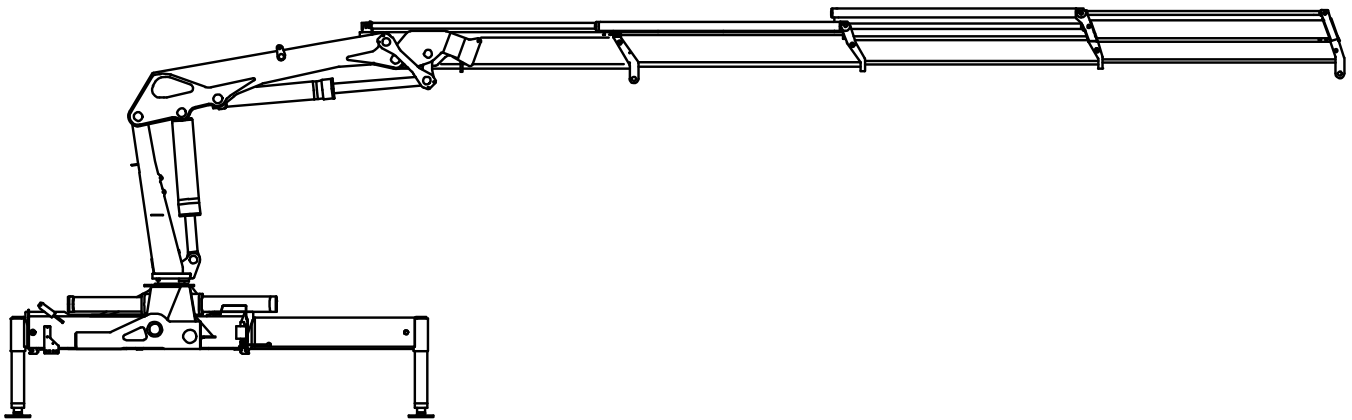


# IMT

## MATERIAL HANDLING SYSTEMS

### Repair Parts *Model 14/103 Crane*



**IOWA MOLD TOOLING CO., INC.**

BOX 189, GARNER, IA 50438-0189

641-923-3711

TECHNICAL SUPPORT FAX: 641-923-2424

MANUAL PART NUMBER: 99903051

Iowa Mold Tooling Co., Inc. is an Oshkosh Corporation company.

**In addition to the information presented in this manual, read and understand the IMT Crane Operator's Safety Manual before operating or performing any maintenance on your crane.**

**REVISIONS LIST**

DATE	LOCATION	DESCRIPTION OF CHANGE
20140911	PARTS-15	BENDING RAM WAS 61 31 040

## TABLE OF CONTENTS

INTRODUCTION .....	4
BASE .....	5
ROTATION (SLEWING) SYSTEM-410° .....	6
MAST (COLUMN) .....	7
MAIN (INNER) BOOM W/LINK ARM SYSTEM .....	8
OUTER (JIB) BOOM .....	9
EXTENSION BOOM-1H .....	10
EXTENSION BOOM-2H .....	11
EXTENSION BOOM-3H .....	12
HOOK SUSPENSION .....	13
INNER BOOM CYLINDER-C150-725 .....	14
OUTER BOOM CYLINDER-C150-825 .....	15
EXTENSION CYLINDER-C70-2000 (1H) .....	16
EXTENSION CYLINDER-C70-2100 (2H) .....	17
EXTENSION CYLINDER-C70-2000 (1H) .....	18
EXTENSION CYLINDER-C70-2100 (2H) .....	19
OUTRIGGER CYLINDER-C100-650 TYPE v .....	20
OUTRIGGER BEAM-TYPE SV .....	21
OUTRIGGER LOCK-SV/DV/SR/DR .....	22
VALVE GROUP RS210 .....	23
VALVE BRACKET & DUAL CONTROL .....	24
HYDRAULIC SYSTEM-PUMP & TANK .....	25
HYDRAULIC SYSTEM-ROTATION CYLINDER .....	26
HYDRAULIC SYSTEM-INNER BOOM CYLINDER .....	27
HYDRAULIC SYSTEM-OUTER BOOM CYLINDER .....	28
HYDRAULIC SYSTEM-EXTENSION CYLINDER (2H) .....	29
HYDRAULIC SYSTEM-EXTENSION CYLINDER (3H) .....	30
HYDRAULIC SYSTEM-outriggers-type sv .....	31
DECAL KIT-ENGLISH (95715498) .....	32
DECAL KIT-SPANISH (95715499) .....	32
DECAL KIT-FRENCH (95715500) .....	32
CAPACITY CHARTS & ID .....	32
MOUNTING FITTINGS .....	33

## PARTS-4 INTRODUCTION

### GENERAL

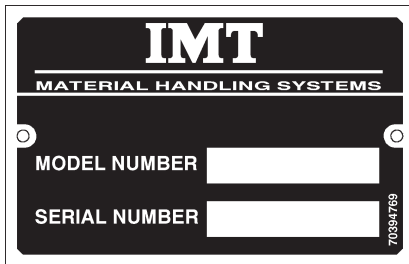
This manual contains the parts drawings with accompanying parts lists for the assemblies used on this crane. These drawings are intended to be used in conjunction with the instructions found in the Instruction Manual.

### WARNING

DO NOT ATTEMPT TO REPAIR ANY COMPONENT WITHOUT READING THE INFORMATION CONTAINED IN THE INSTRUCTION MANUAL. PAY PARTICULAR ATTENTION TO THE WARNINGS, CAUTIONS AND NOTES CONTAINED IN THAT MANUAL. FAILURE TO COMPLY WITH THESE INSTRUCTIONS MAY RESULT IN DAMAGE TO THE EQUIPMENT, AN INJURY OR EVEN DEATH.

### CRANE IDENTIFICATION

Every crane has a serial number placard attached to the mast. When ordering parts, communicating warranty information or referring to the unit in correspondence, always include the assigned serial number and model number as shown on the serial number placard.



**SERIAL NUMBER PLACARD**

### ORDERING REPAIR PARTS

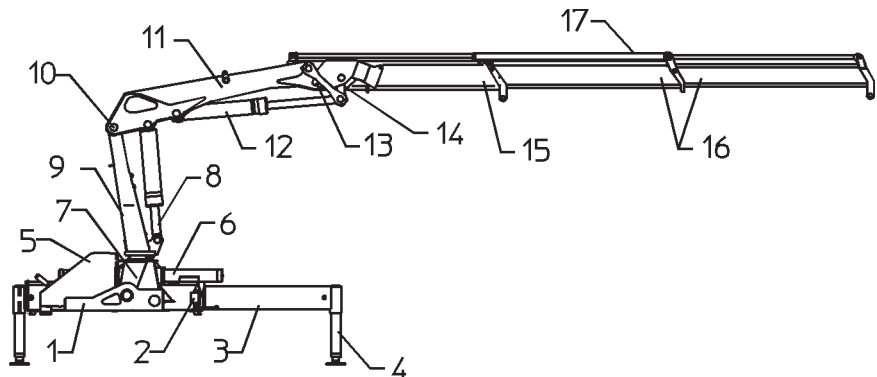
When ordering replacement parts:

1. Give the model number of the unit.
2. Give the serial number of the unit.
3. Specify the complete part number. When ordering complete cylinders or assemblies, identify the cylinder or assembly by name.
4. Give a complete description of the part.
5. Specify the quantity required.

All inquiries should be addressed to:

**Iowa Mold Tooling Co., Inc.**  
**Box 189, Garner, IA 50438-0189**  
**Telephone: 641-923-3711**  
**Technical Support Fax: 641-923-2424**

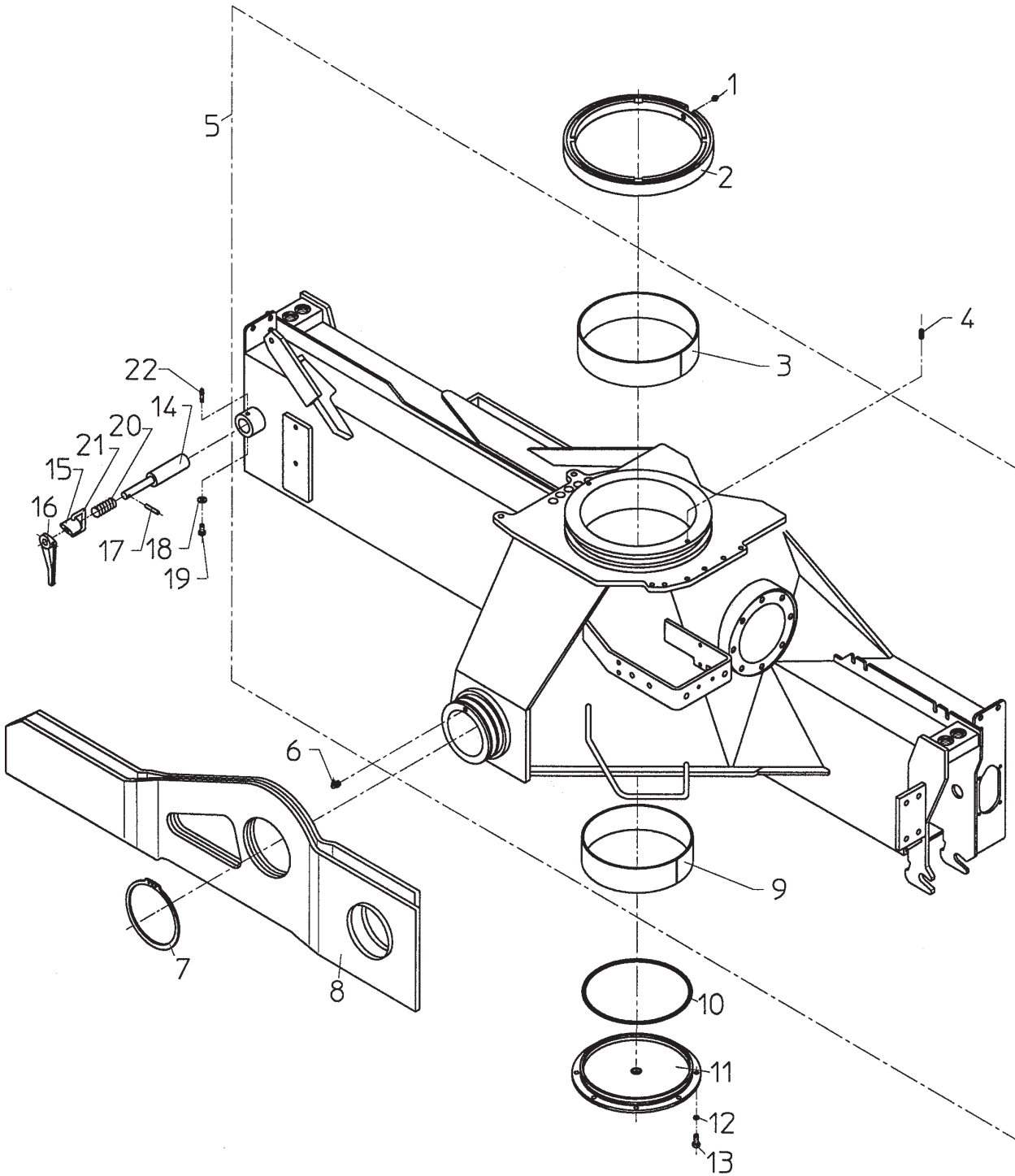
1. Suspension traverse
2. Control valve block
3. Stabilizer beam
4. Stabilizer leg
5. Reservoir/Tank
6. Rotation/Slewing cylinder
7. Base
8. Inner Boom cylinder
9. Mast/Column
10. Hinge pin
11. Inner/Main boom
12. Outer/Jib cylinder
13. Outer/Jib pin
14. Link arm, outer/jib
15. Outer boom/Jib
16. Extension booms
17. Extension cylinder



**COMPONENT REFERENCE**

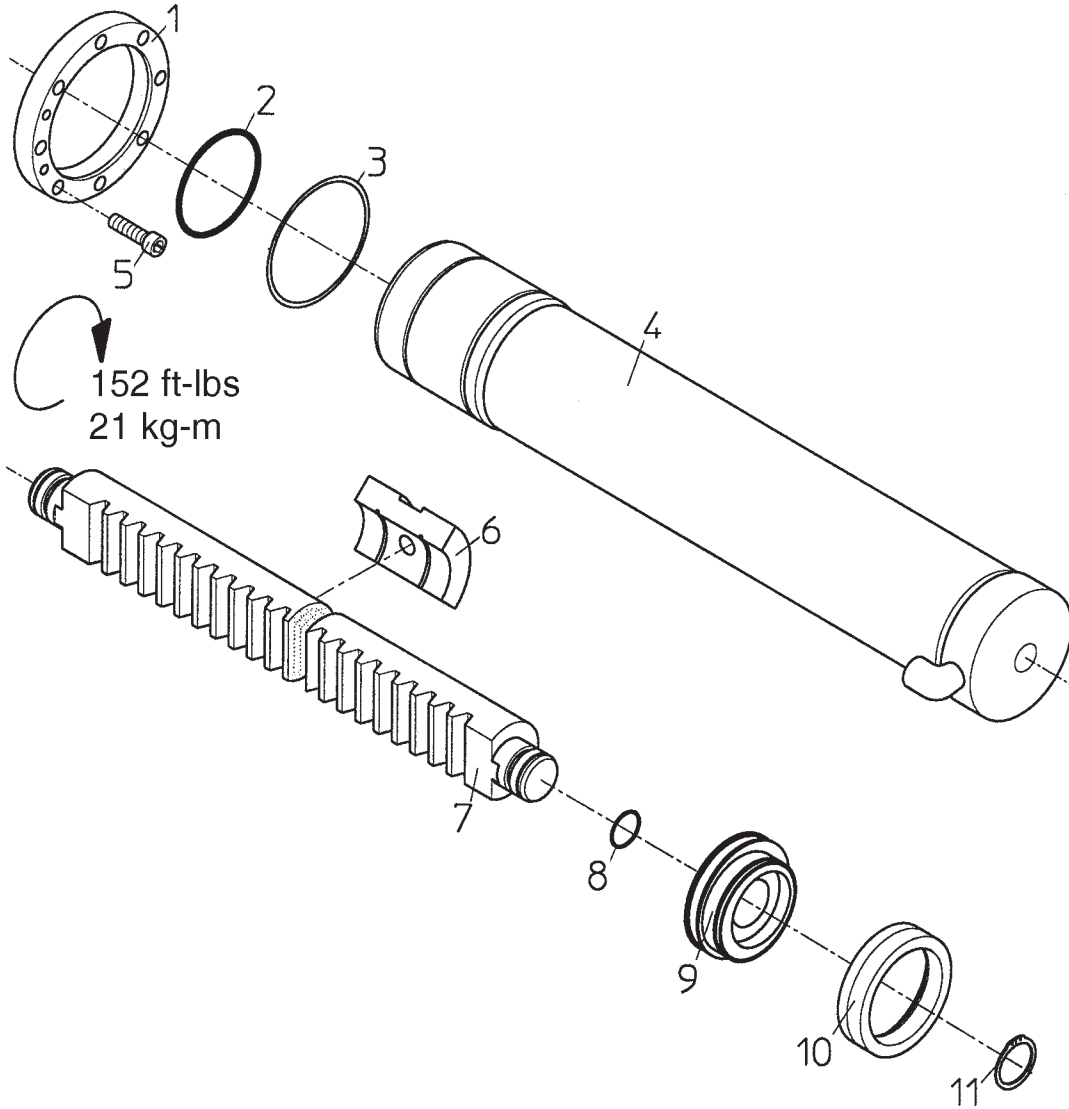
**BASE**

1.	31 318	ZERK 1/8"	1	12.	31 155	SPRING WASHER 8MM	8
2.	63 920	THRUST BEARING	1	13.	30 132	SET SCR M8X20	8
3.	23 391	BUSHING		14.	62 33 514	LOCK PIN	2
4.	31 233	RETAINING PIN Ø8X18	2	15.	62 33 504	HOUSING	2
5.	62 37 540	BASE W/BEARING	1	16.	62 33 524	LEVER	2
6.	31 322	ZERK 1/8" 90°	1	17.	31 210	RETAINING PIN ØX36	2
7.	33 150	CIRCLIP 135U	1	18.	31 136	WASHER 8MM	2
8.	62 31 602	SUSPENSION TRAVERSE	1	19.	30 131	SET SCR M8X16	2
9.	23 367	BUSHING PM22060DX	1	20.	33 305	SPRING	2
10.	20 215	O-RING 221.84X3.53	1	21.	33 470	CLAMP	2
11.	62 32 053	COVER	1	22.	31 328	ZERK M6X1	2



**ROTATION (SLEWING) SYSTEM-410°**

	68 93 230	SEAL KIT (INCL:2,8,10,11)	2
1.	62 52 974	FLANGE	1
2.	20 205	O-RING 134.5X3	2
3.	33 340	LOCK RING	2
4.	62 31 674	CYLINDER	2
5.	30 476	SCREW MC16X45	16
6.	63 924	GUIDE BLOCK	1
7.	62 31 653	RACK	1
8.	20 305	O-RING 37.47X5.33	2
9.	61 77 653	PISTON	2
10.	22 109	SEAL KIT	2
11.	33 129	CIRCLIP 50U	2

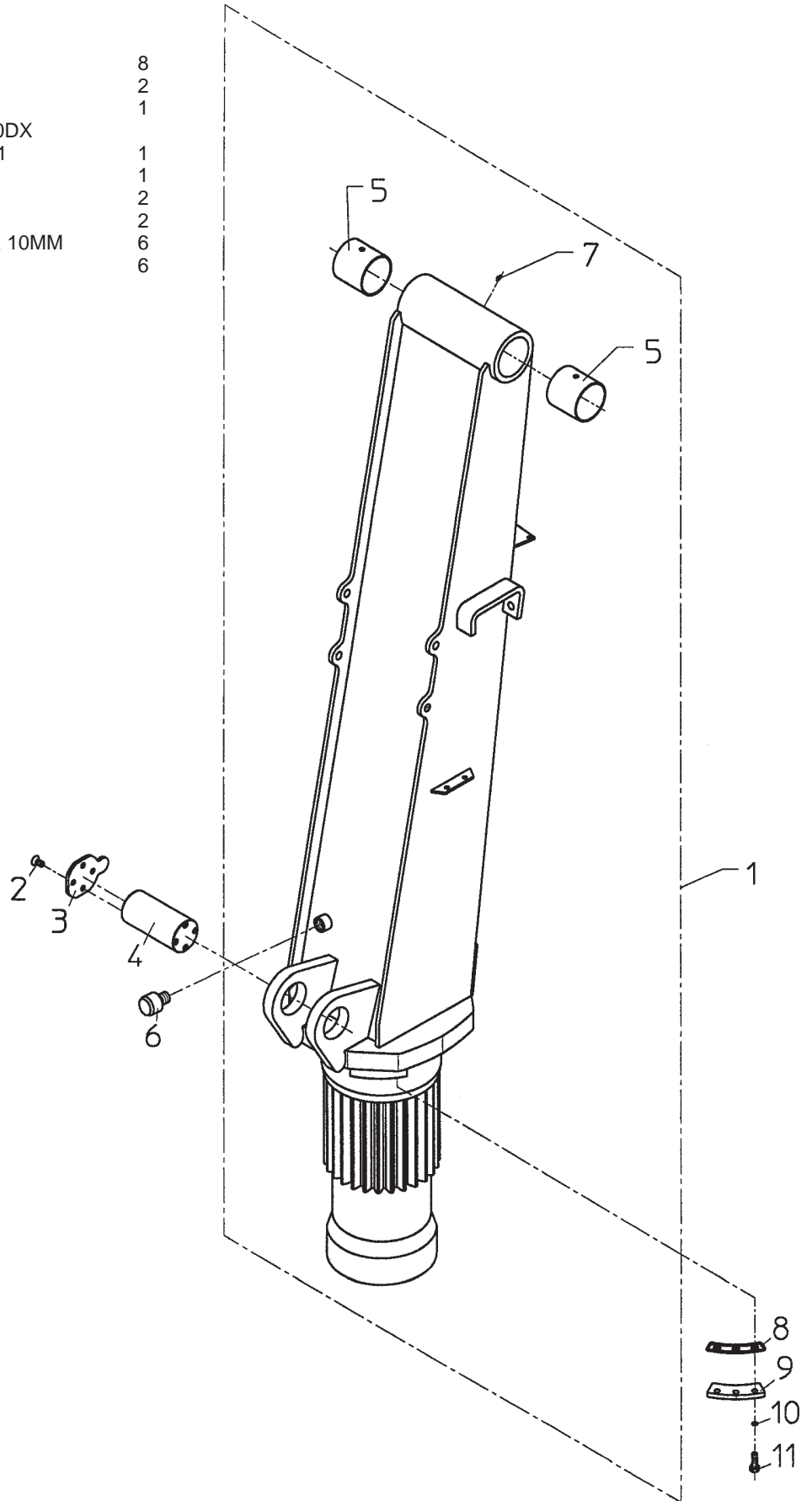


14/103: 506 01 200: 19990630

**MAST (COLUMN)**

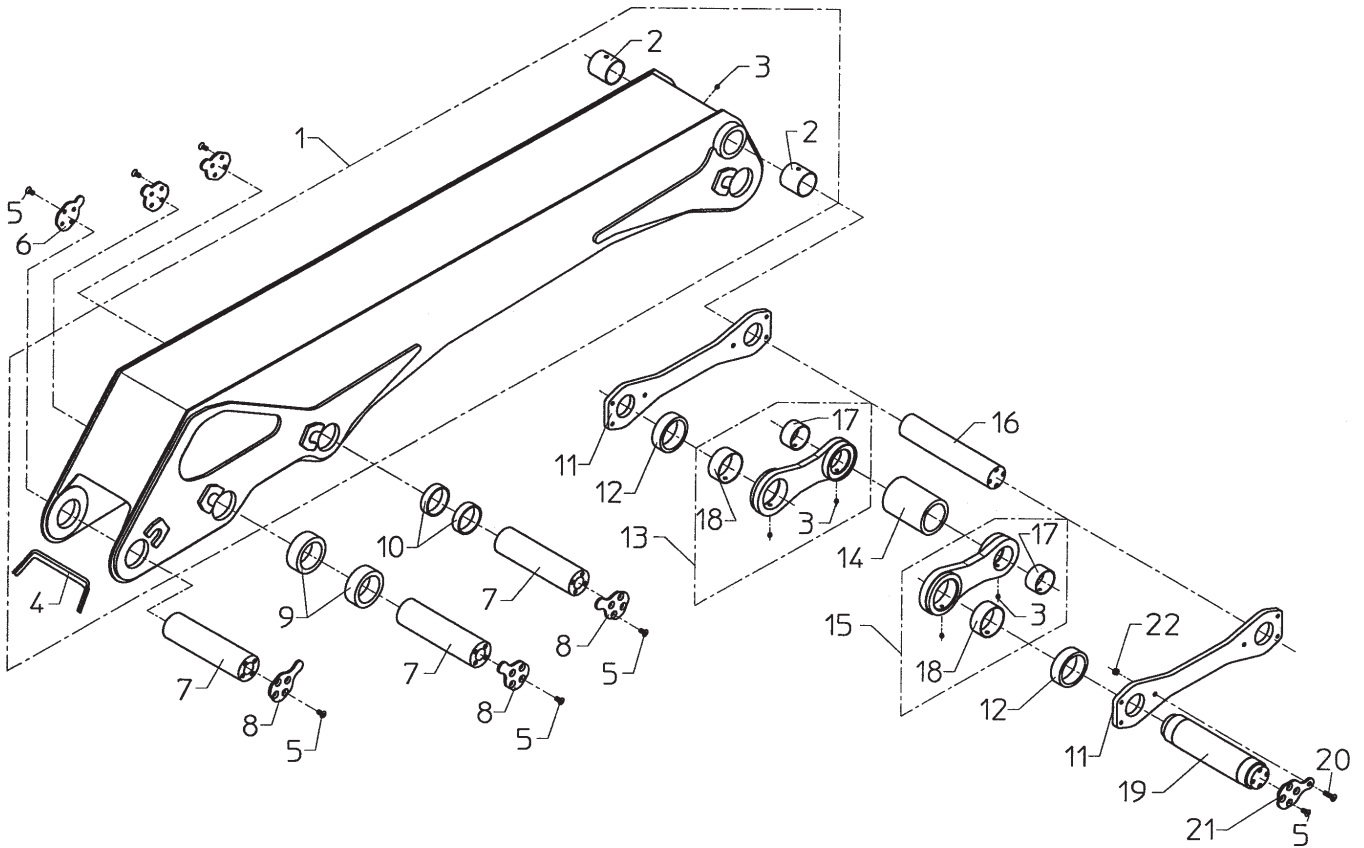
- |     |           |                    |   |
|-----|-----------|--------------------|---|
| 1.  | 62 37 651 | MAST               |   |
| 2.  | 30 545    | SCREW MK10X20      | 8 |
| 3.  | 62 39 464 | LOCK PLATE         | 2 |
| 4.  | 62 39 504 | PIN                | 1 |
| 5.  | 23 329    | BUSHING PM8080DX   |   |
| 6.  | 60 214    | AIR FILTER M22X1   | 1 |
| 7.  | 31 318    | ZERK 1/8"          | 1 |
| 8.  | 62 31 874 | SHIM               | 2 |
| 9.  | 62 31 864 | LOCKING DEVICE     | 2 |
| 10. | 31 156    | SPRING WASHER 10MM | 6 |
| 11. | 30 155    | SET SCR M10X25     | 6 |

**PARTS-7**



**MAIN (INNER) BOOM W/LINK ARM SYSTEM**

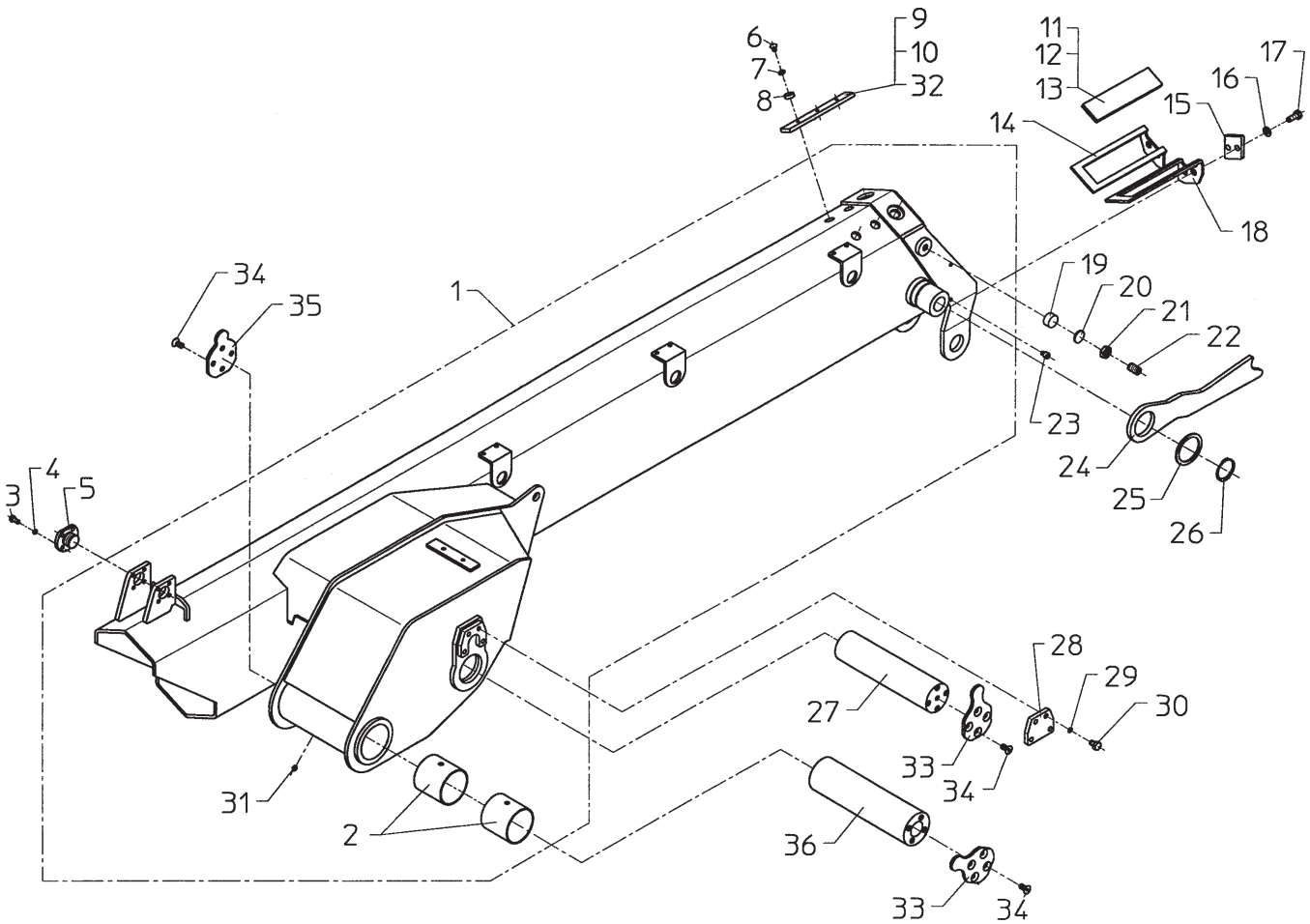
1.	62 39 530	INNER BOOM-COMplete	1	12.	63 916	SPACER	2
2.	23 338	BUSHING PM7070DX		13.	62 85 004	PUSH ROD	1
3.	31 318	ZERK 1/8"		14.	63 921	SPACER	1
4.	64 329	RUBBER PROTECTOR 0.25M		15.	62 85 014	DOUBLETREE	1
5.	30 545	SCREW MK10X20	40	16.	62 39 494	PIN	1
6.	62 39 464	LOCK PLATE	3	17.	23 336	BUSHING PM7040DX	2
7.	62 39 474	PIN	3	18.	23 320	BUSHING PM8540DX	2
8.	62 57 354	LOCK PLATE	3	19.	62 39 454	PIN	1
9.	64 058	DISTANCE RING	2	20.	31 860	SCREW MK10X35	4
10.	63 922	SPACER	2	21.	62 97 104	LOCK PLATE	4
11.	62 85 024	LINK ARM	2	22.	30 888	LOCK NUT M10	4





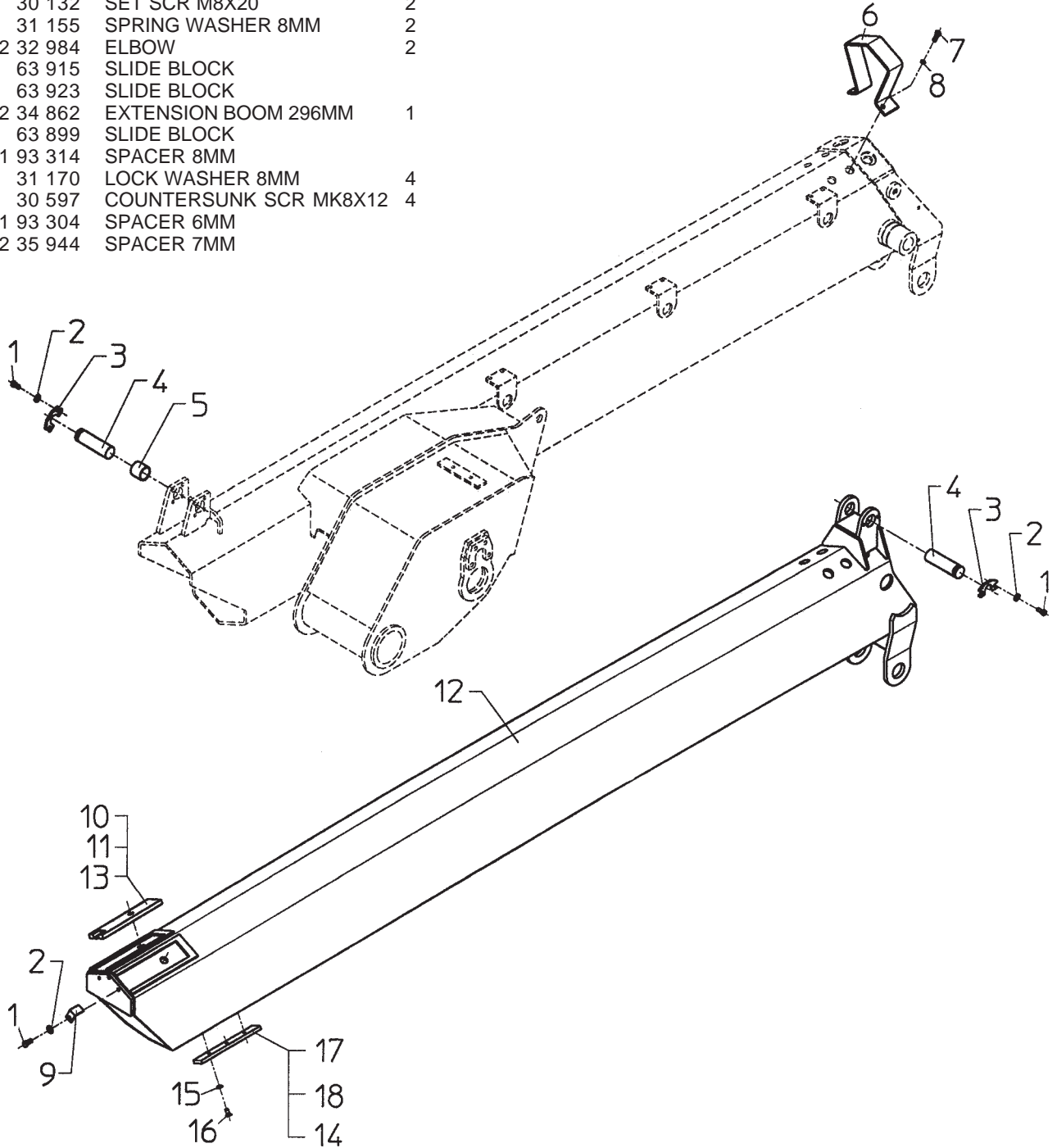
**OUTER (JIB) BOOM**

1.	62 35 970	BENDING ARM-COMPLETE	1	19.	64 096	SLIDE BLOCK	2
2.	23 329	BUSHING PM8080DX		20.	61 82 334	PLATE	2
3.	30 131	SET SCR M8X16	8	21.	30 821	COUNTER NUT M16	2
4.	31 155	SPRING WASHER 8MM	8	22.	30 598	POINTED SCR MSP16X25	2
5.	62 33 064	LOCK PLATE	2	23.	30 459	SOCHD SCR MC8X10	2
6.	30 597	COUNTERSUNK SCR MK8X12	6	24.	62 32 944	STOP	1
7.	31 170	LOCK WASHER 8MM	6	25.	33 231	BACK RING 60X75X3	1
8.	62 32 974	LOCK WASHER	6	26.	33 135	CIRCLIP 60U	1
9.	61 93 304	SPACER 6MM	2	27.	62 39 484	PIN	1
10.	61 93 314	SPACER 8MM	2	28.	60 97 684	LOCK PLATE	1
11.	64 090	SLIDE BLOCK	2	29.	31 156	SPRING WASHER 10MM	4
12.	64 097	SLIDE BLOCK	2	30.	30 152	SET SCR M10X14	4
13.	64 098	SLIDE BLOCK	2	31.	31 318	ZERK 1/8"	
14.	62 33 053	BRACKET-LEFT	1	32.	62 35 944	SPACER 7MM	2
15.	62 32 954	LOCK PLATE	2	33.	62 57 354	LOCK PLATE	2
16.	31 177	WASHER 21X10.5X2	4	34.	30 545	SCREW MK10X20	12
17.	30 155	SET SCR M10X25	4	35.	62 39 464	LOCK PLATE	1
18.	62 33 043	BRACKET-RIGHT	1	36.	62 39 474	PIN	1



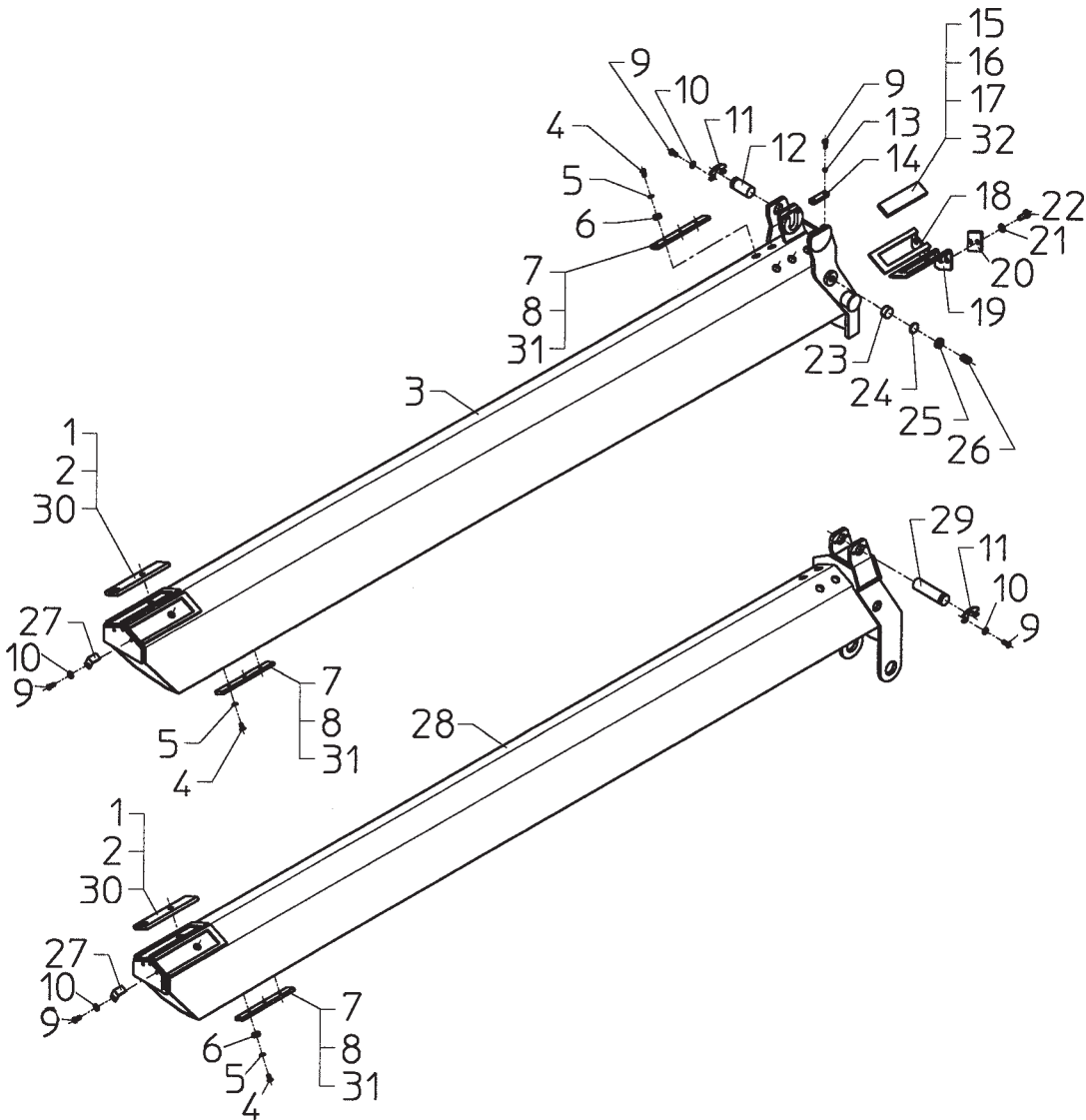
**EXTENSION BOOM-1H**

1.	30 131	SET SCR M8X16	6
2.	31 136	WASHER 8MM	6
3.	61 82 314	LOCK PLATE	2
4.	62 33 074	PIN	2
5.	61 83 124	DISTANCE PIPE	1
6.	62 34 993	PROTECTIVE PLATE	1
7.	30 132	SET SCR M8X20	2
8.	31 155	SPRING WASHER 8MM	2
9.	62 32 984	ELBOW	2
10.	63 915	SLIDE BLOCK	
11.	63 923	SLIDE BLOCK	
12.	62 34 862	EXTENSION BOOM 296MM	1
13.	63 899	SLIDE BLOCK	
14.	61 93 314	SPACER 8MM	
15.	31 170	LOCK WASHER 8MM	4
16.	30 597	COUNTERSUNK SCR MK8X12	4
17.	61 93 304	SPACER 6MM	
18.	62 35 944	SPACER 7MM	



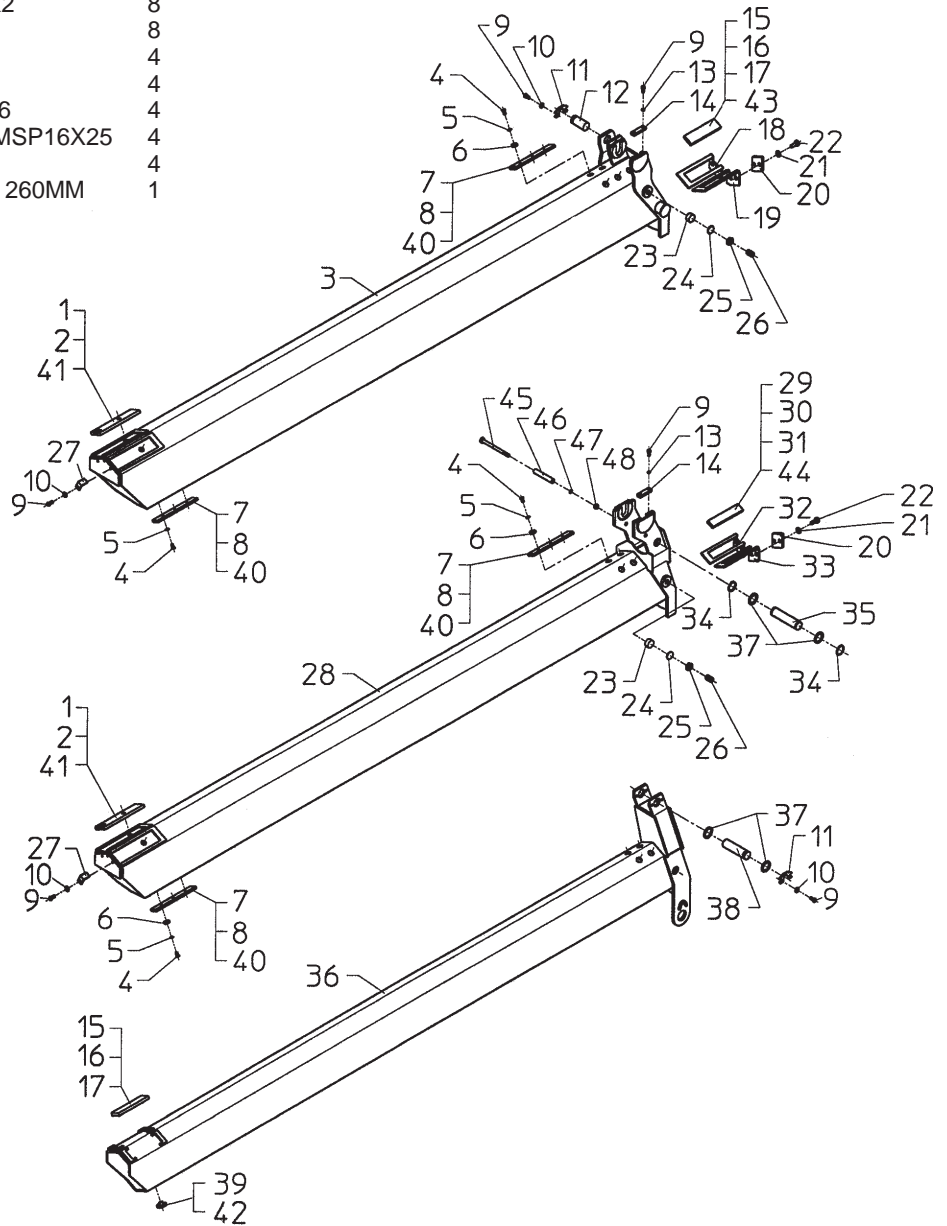
**EXTENSION BOOM-2H**

1.	63 915	SLIDE BLOCK		17.	64 082	SLIDE BLOCK	
2.	63 923	SLIDE BLOCK		18.	62 33 033	BRACKET-LEFT	1
3.	62 32 232	EXTENSION BOOM 296MM	1	19.	62 33 023	BRACKET-RIGHT	1
4.	30 597	COUNTERSUNK SCR MK8X12	16	20.	62 32 954	LOCK PLATE	2
5.	31 170	LOCK WASHER 8MM	16	21.	31 177	WASHER 21X10.5X2	4
6.	62 32 974	LOCK WASHER 8MM	12	22.	30 155	SET SCR M10X25	4
7.	61 93 304	SPACER 6MM		23.	64 096	SLIDE BLOCK	2
8.	61 93 314	SPACER 8MM		24.	61 82 334	PLATE	2
9.	30 131	SET SCR M8X16	12	25.	30 821	COUNTER NUT M16	2
10.	31 136	WASHER 8MM	8	26.	30 598	POINTED SCREW MSP16X25	2
11.	61 82 314	LOCK PLATE	2	27.	62 32 984	ELBOW	4
12.	62 33 184	PIN	1	28.	62 34 972	EXTENSION BOOM 260MM	1
13.	31 155	SPRING WASHER 8MM	4	29.	62 33 074	PIN	1
14.	62 32 964	STOWING PIN	2	30.	63 899	SLIDE BLOCK	
15.	63 936	SLIDE BLOCK		31.	62 35 944	SPACER 7MM	
16.	63 937	SLIDE BLOCK		32.	63 865	SLIDE BLOCK	1



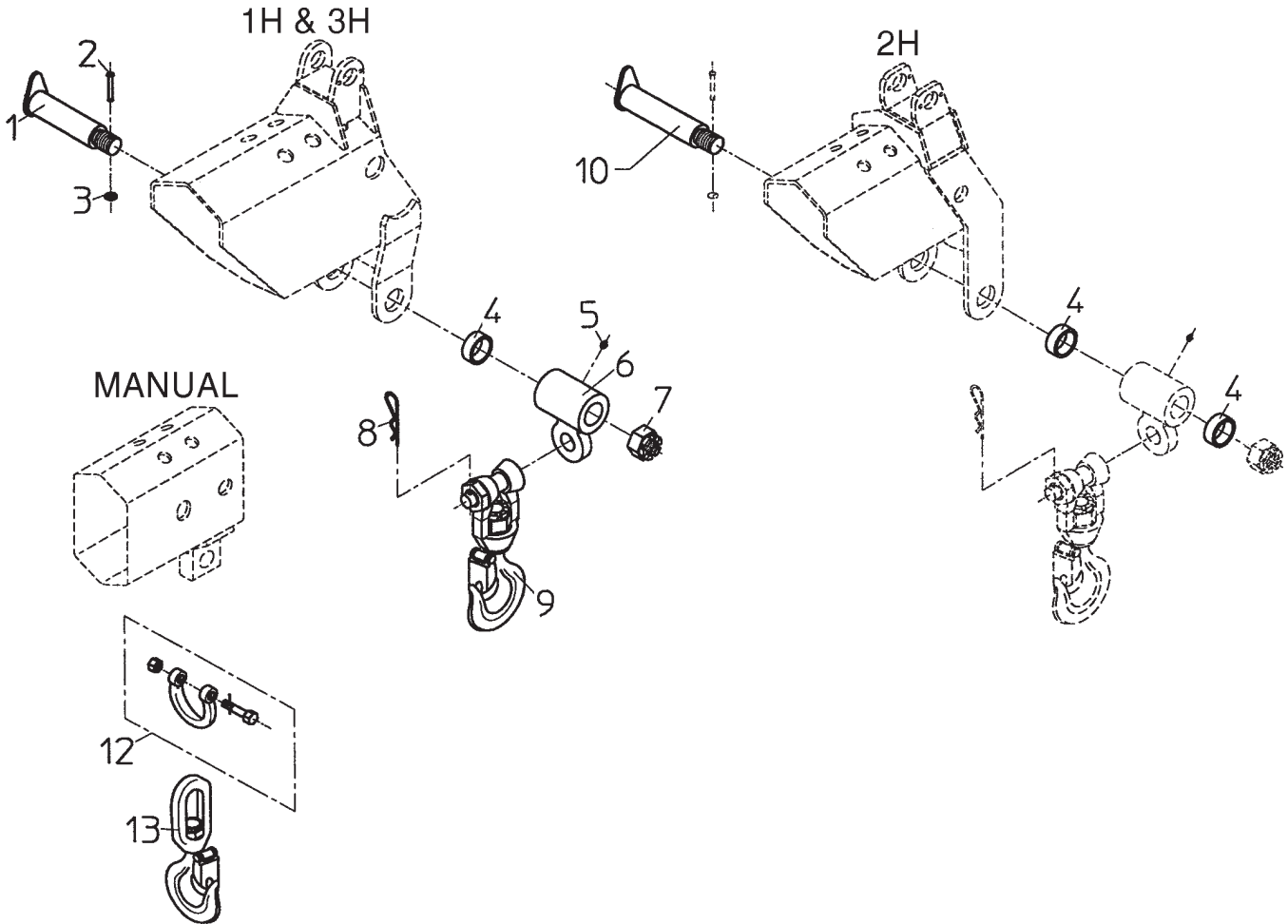
**EXTENSION BOOM-3H**

1.	63 915	SLIDE BLOCK		29.	63 948	SLIDE BLOCK	
2.	63 923	SLIDE BLOCK		30.	63 949	SLIDE BLOCK	
3.	62 32 232	EXTENSION BOOM 296MM	1	31.	63 942	SLIDE BLOCK	
4.	30 597	COUNTERSUNK SCR MK8X12 20		32.	62 33 013	BRACKET-LEFT	1
5.	31 170	LOCK WASHER 8MM	20	33.	62 33 003	BRACKET-RIGHT	1
6.	62 32 974	LOCK WASHER 8MM	16	34.	33 115	CIRCLIP 30U	2
7.	61 93 304	SPACER 6MM		35.	61 82 894	PIN	1
8.	61 93 314	SPACER 8MM		36.	62 32 882	EXTENSION BOOM 224MM	1
9.	30 131	SET SCR M8X16	16	37.	33 220	BACK RING 30X42X2.5	4
10.	31 136	WASHER 8MM	8	38.	62 33 074	PIN	1
11.	61 82 314	LOCK PLATE	2	39.	62 01 114	PLUG 7MM	1
12.	62 33 184	PIN	1	40.	62 35 944	SPACER 7MM	
13.	31 155	SPRING WASHER 8MM	8	41.	63 899	SLIDE BLOCK	
14.	62 32 964	STOWING PIN	4	42.	62 11 294	PLUG 8MM	
15.	63 936	SLIDE BLOCK		43.	63 865	SLIDE BLOCK	
16.	63 937	SLIDE BLOCK		44.	63 866	SLIDE BLOCK	1
17.	64 082	SLIDE BLOCK		45.	30 170	STEEL BOLT M10X130	
18.	62 33 033	BRACKET-LEFT	1	46.	62 55 784	PIPE	
19.	62 33 023	BRACKET-RIGHT	1	47.	31 192	WASHER 10MM	
20.	62 32 954	LOCK PLATE	4	48.	30 888	LOCK NUT M10	
21.	31 177	WASHER 21X10.5X2	8				
22.	30 155	SET SCR M10X25	8				
23.	64 096	SLIDE BLOCK	4				
24.	61 82 334	PLATE	4				
25.	30 821	COUNTER NUT M16	4				
26.	30 598	POINTED SCREW MSP16X25	4				
27.	62 32 984	ELBOW	4				
28.	62 32 352	EXTENSION BOOM 260MM	1				



**HOOK SUSPENSION**

1.	62 34 304	PIN	1
2.	31 279	COTTER BOLT Ø6X50	1
3.	33 458	LOCK RING-SS	1
4.	63 910	DISTANCE RING	
5.	31 318	ZERK 1/8"	1
6.	62 34 274	SUSPENSION	1
7.	30 839	NUT M30	1
8.	33 380	LOCK SPRING 5MM	1
9.	62 100	HOOK W/SUSPENSION 6.3T	1
10.	62 35 674	PIN	1
12.	62 114	SHACKLE W/NUT 4.75T	1
13.	62 101	HOOK 40KN	1

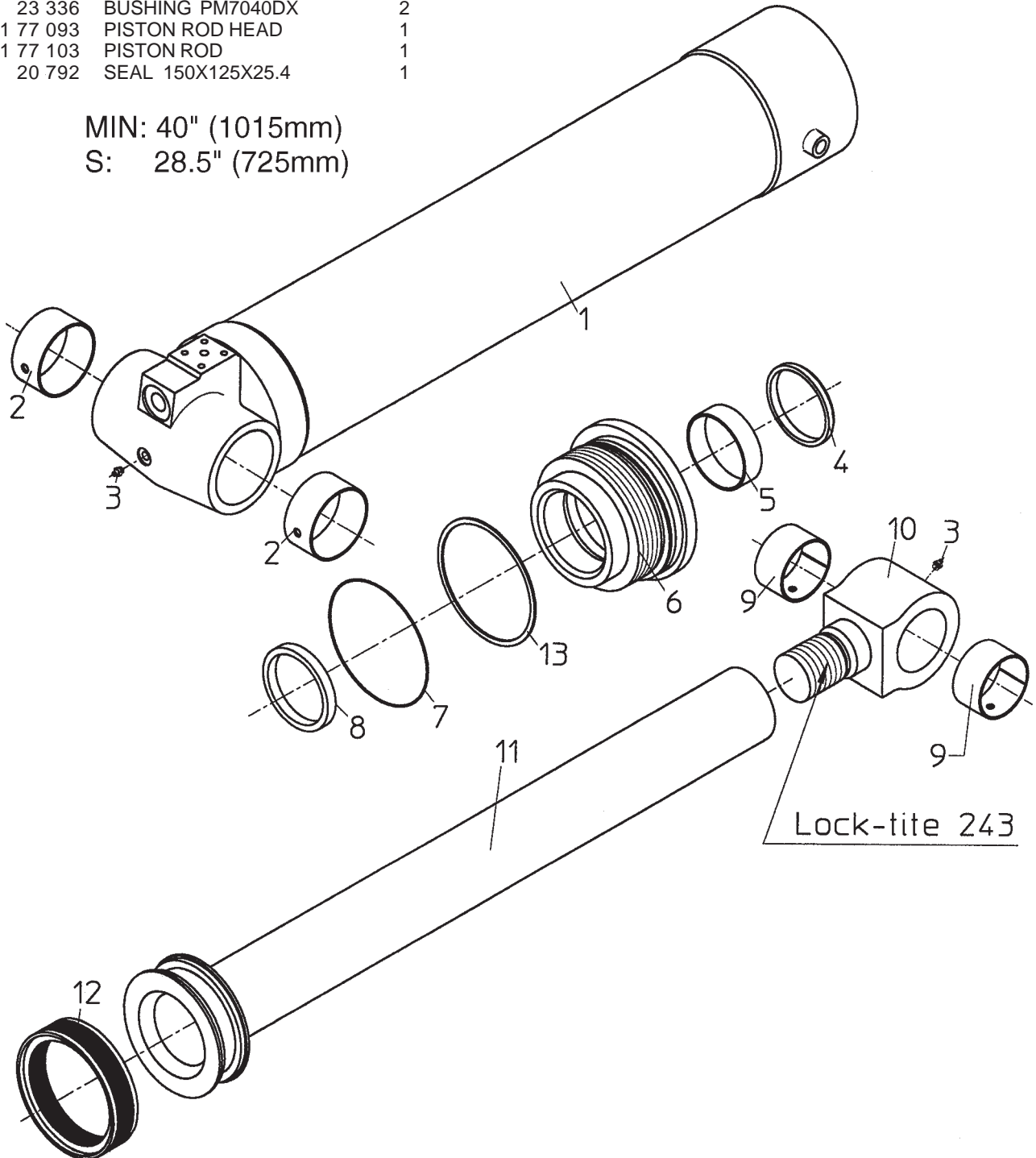


**INNER BOOM CYLINDER-C150-725**

	61 71 740	BOOM CYLINDER	1
	68 92 470	SEAL KIT (INCL:4,5,7,8,12)	1
1.	61 71 802	CYLINDER (INCL:2)	1
2.	23 342	BUSHING PM8040DX	
3.	31 322	ZERK 1/8" 90°	2
4.	20 529	SCRAPER 85X95X7/10	1
5.	21 918	BEARING 85/90X25	1
6.	61 71 752	GUIDE	1
7.	20 330	O-RING 149.3X5.7	1
8.	20 619	SEAL 85X100X13	1
9.	23 336	BUSHING PM7040DX	2
10.	61 77 093	PISTON ROD HEAD	1
11.	61 77 103	PISTON ROD	1
12.	20 792	SEAL 150X125X25.4	1

MIN: 40" (1015mm)

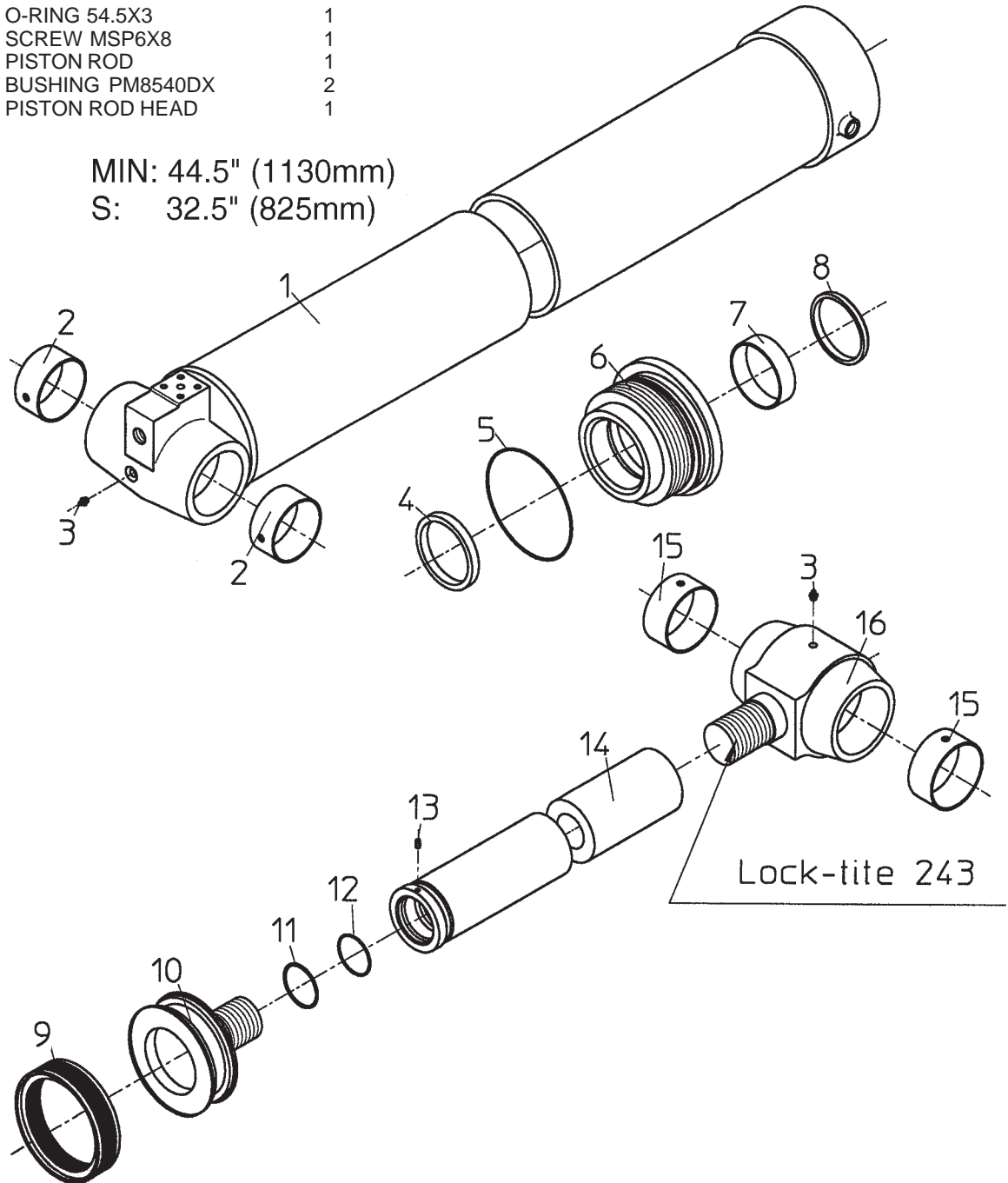
S: 28.5" (725mm)



**OUTER BOOM CYLINDER-C150-825**

62 31 040	BENDING RAM	1
68 92 780	SEAL KIT (INCL:4,5,7-9,11,12)	1
1. 61 71 992	CYLINDER	1
2. 23 342	BUSHING PM8040DX	
3. 31 318	ZERK 1/8"	2
4. 20 619	SEAL 85X100X13	1
5. 20 330	O-RING 149.3X5.7	1
6. 61 71 752	GUIDE	1
7. 21 918	BEARING 85/90X25	1
8. 20 529	SCRAPER 85X95X7/10	1
9. 20 792	SEAL 150X125X25.4	1
10. 62 31 053	PISTON	1
11. 20 882	BACK RING 55X60	1
12. 20 183	O-RING 54.5X3	1
13. 30 903	SCREW MSP6X8	1
14. 62 31 063	PISTON ROD	1
15. 23 320	BUSHING PM8540DX	2
16. 62 31 072	PISTON ROD HEAD	1

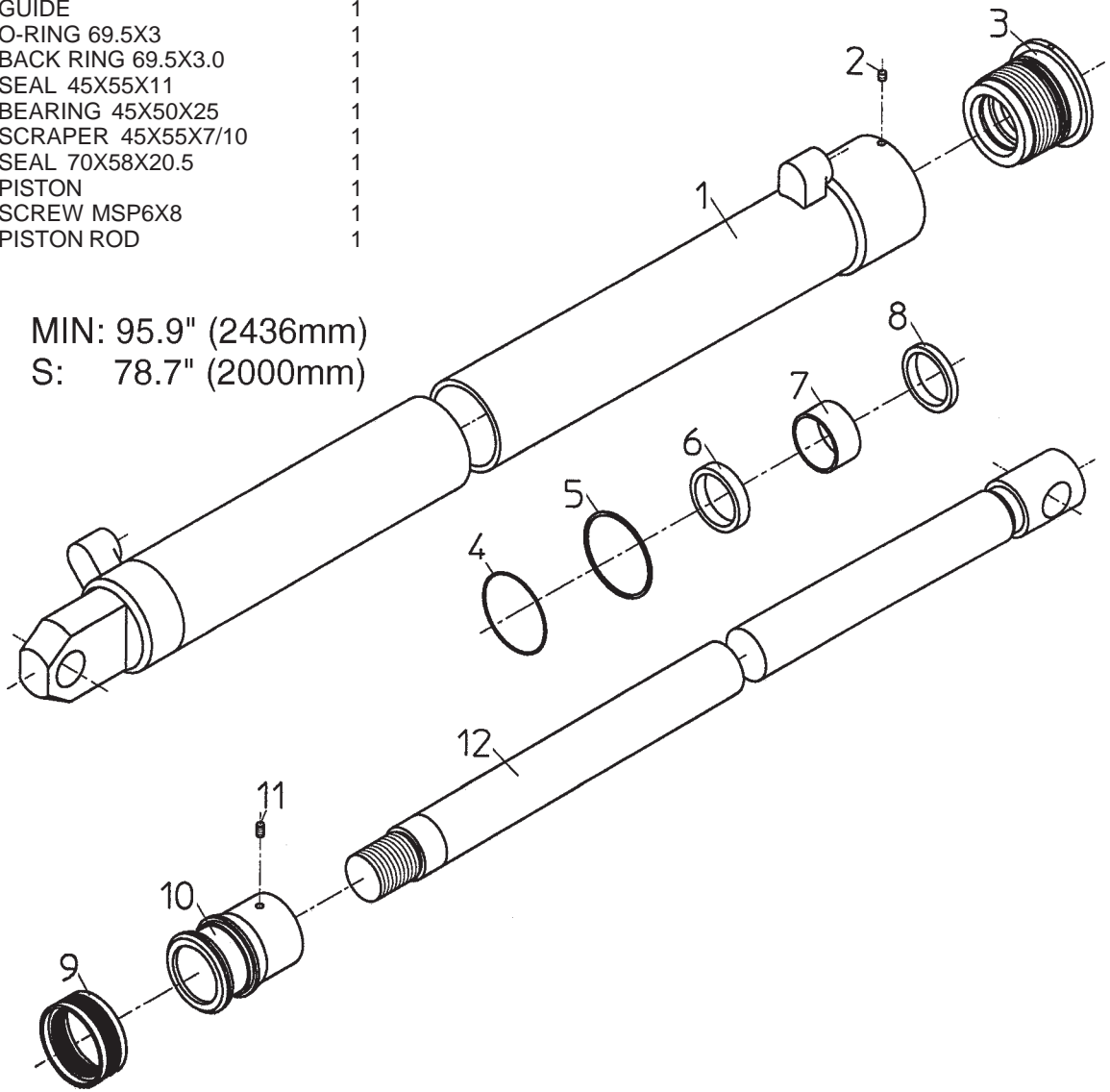
MIN: 44.5" (1130mm)  
 S: 32.5" (825mm)



**EXTENSION CYLINDER-C70-2000 (1H)**

62 34 930	EXTENSION CYLINDER	1
68 92 530	SEAL KIT (INCL:4-9)	1
1. 62 30 792	CYLINDER	1
2. 30 551	POINTED SCR MSP6X6	1
3. 61 82 543	GUIDE	1
4. 20 187	O-RING 69.5X3	1
5. 20 708	BACK RING 69.5X3.0	1
6. 20 680	SEAL 45X55X11	1
7. 21 981	BEARING 45X50X25	1
8. 20 514	SCRAPER 45X55X7/10	1
9. 20 782	SEAL 70X58X20.5	1
10. 61 83 053	PISTON	1
11. 30 903	SCREW MSP6X8	1
12. 62 34 944	PISTON ROD	1

MIN: 95.9" (2436mm)  
 S: 78.7" (2000mm)



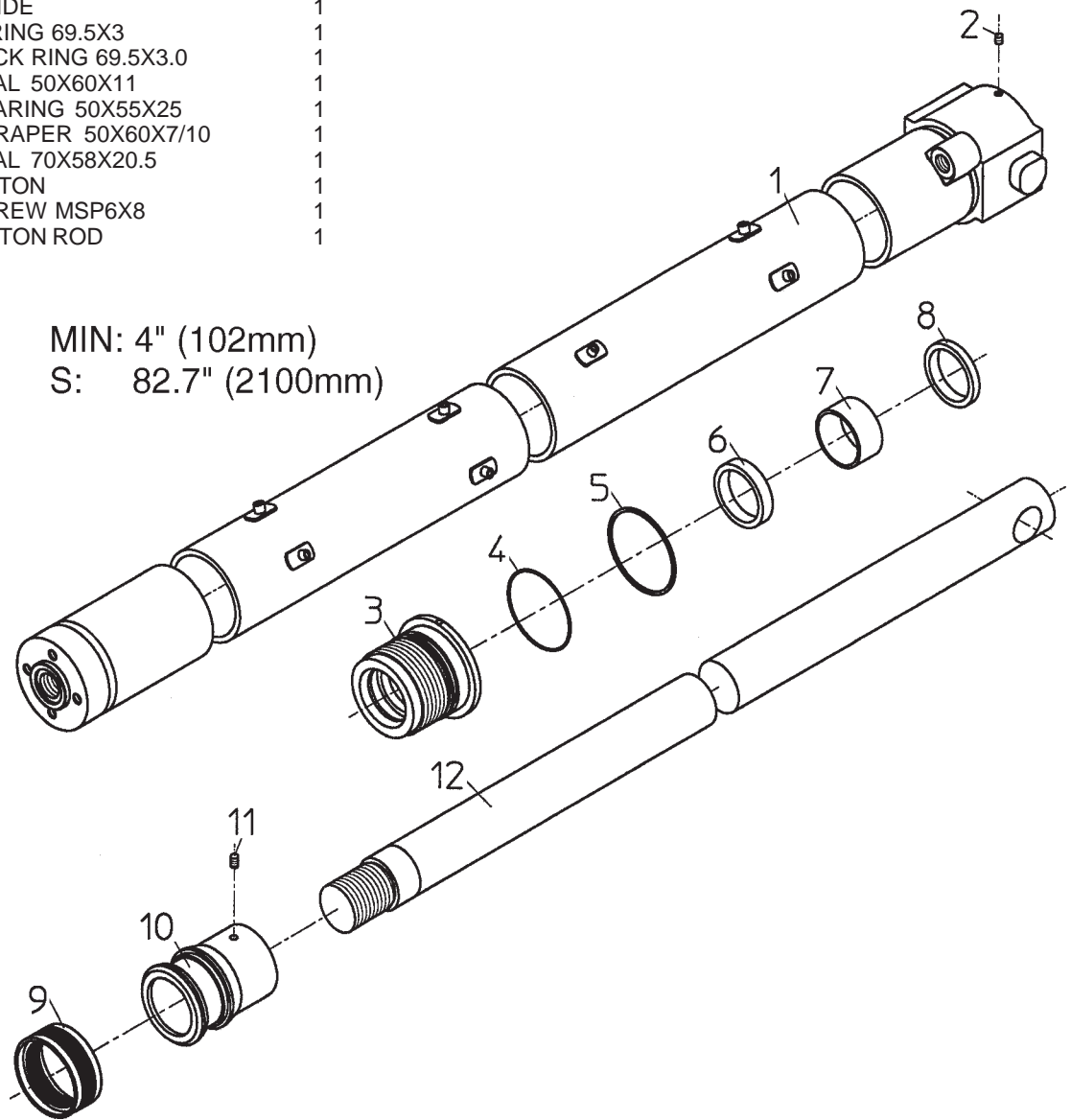


14/103: 506 03 110: 19990630

PARTS-17

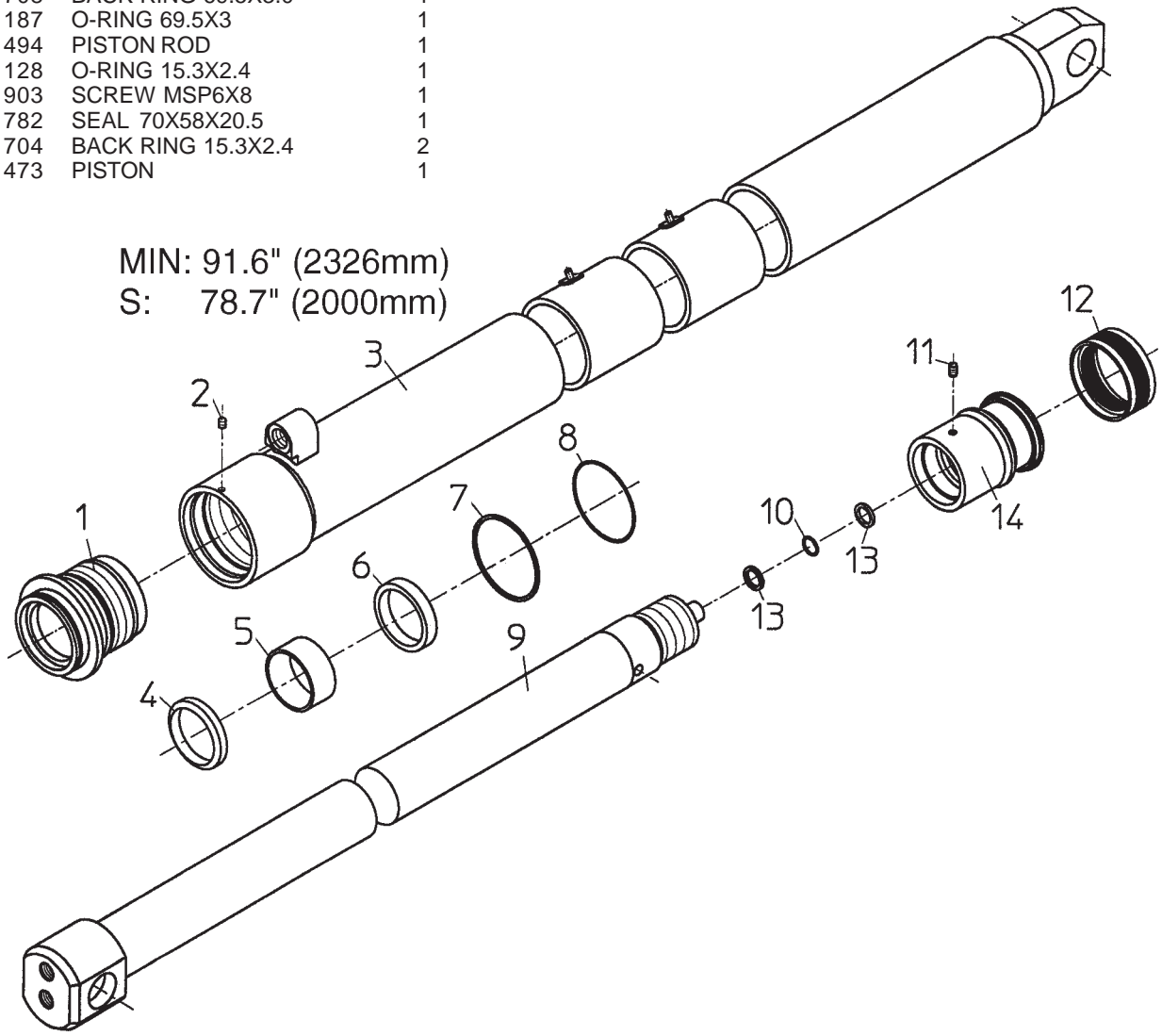
**EXTENSION CYLINDER-C70-2100 (2H)**

62 38 710	EXTENSION CYLINDER	1
68 93 350	SEAL KIT (INCL:4-9)	1
1. 62 97 262	CYLINDER	1
2. 30 551	POINTED SCR MSP6X6	1
3. 62 31 203	GUIDE	1
4. 20 187	O-RING 69.5X3	1
5. 20 708	BACK RING 69.5X3.0	1
6. 20 693	SEAL 50X60X11	1
7. 21 982	BEARING 50X55X25	1
8. 20 515	SCRAPER 50X60X7/10	1
9. 20 782	SEAL 70X58X20.5	1
10. 61 83 053	PISTON	1
11. 30 903	SCREW MSP6X8	1
12. 62 56 694	PISTON ROD	1



**EXTENSION CYLINDER-C70-2000 (1H)**

62 38 480	EXTENSION CYLINDER	1
68 93 360	SEAL KIT (INCL:4-8,10,12,13)	1
1. 62 38 513	GUIDE	1
2. 30 551	POINTED SCR MSP6X6	1
3. 62 38 922	HOSE BRACKET	1
4. 20 516	SCREAPER 55X65X7/10	1
5. 22 116	BEARING	1
6. 20 686	SEAL 55X65X11	1
7. 20 708	BACK RING 69.5X3.0	1
8. 20 187	O-RING 69.5X3	1
9. 62 38 494	PISTON ROD	1
10. 20 128	O-RING 15.3X2.4	1
11. 30 903	SCREW MSP6X8	1
12. 20 782	SEAL 70X58X20.5	1
13. 20 704	BACK RING 15.3X2.4	2
14. 62 38 473	PISTON	1

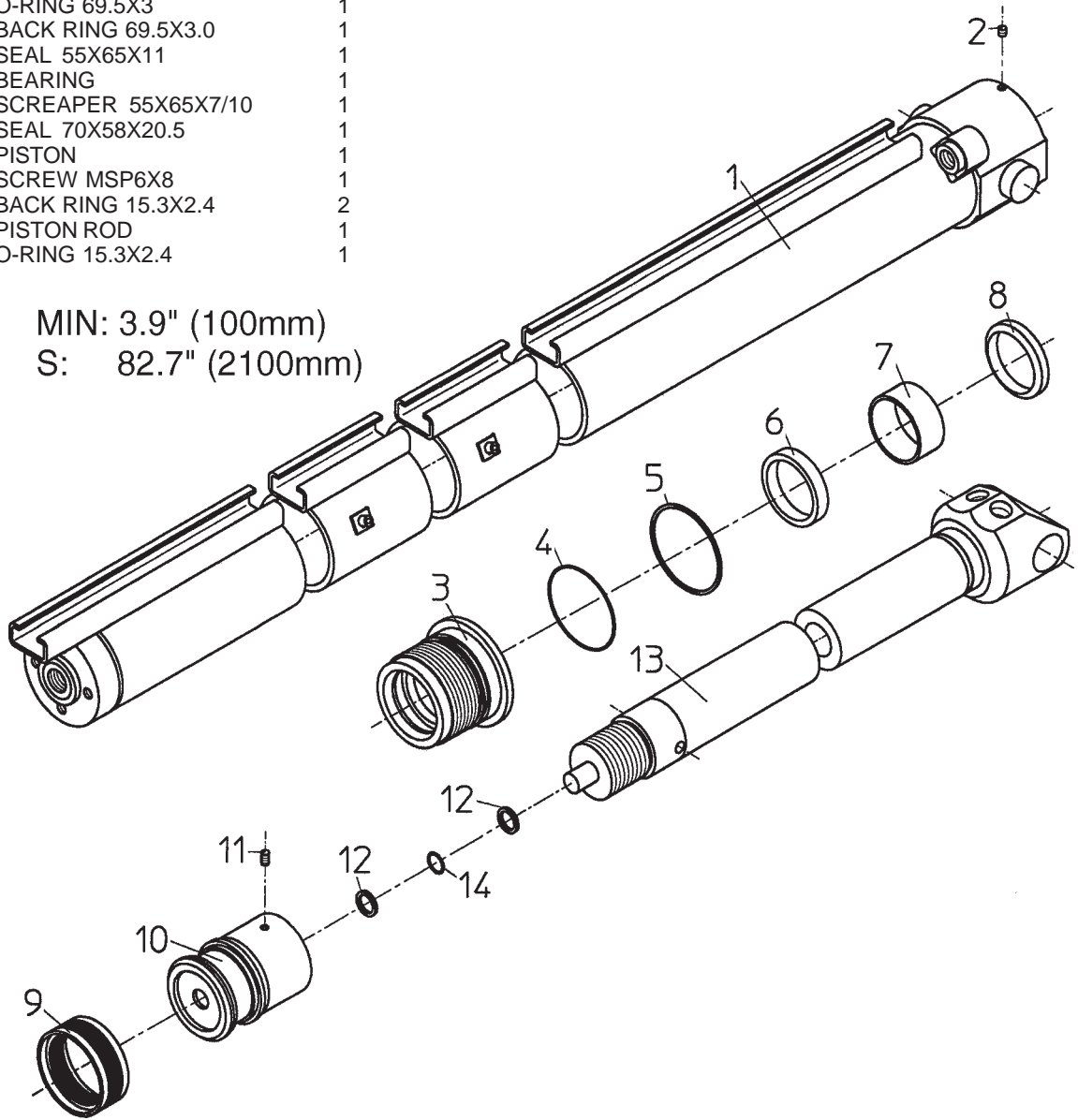


MIN: 91.6" (2326mm)  
 S: 78.7" (2000mm)

**EXTENSION CYLINDER-C70-2100 (2H)**

62 38 430	EXTENSION CYLINDER	1
68 93 360	SEAL KIT (INCL:4-9,12,14)	1
1. 62 38 532	CYLINDER	1
2. 30 551	POINTED SCR MSP6X6	1
3. 62 38 443	GUIDE	1
4. 20 187	O-RING 69.5X3	1
5. 20 708	BACK RING 69.5X3.0	1
6. 20 686	SEAL 55X65X11	1
7. 22 116	BEARING	1
8. 20 516	SCREAPER 55X65X7/10	1
9. 20 782	SEAL 70X58X20.5	1
10. 62 38 473	PISTON	1
11. 30 903	SCREW MSP6X8	1
12. 20 704	BACK RING 15.3X2.4	2
13. 62 38 454	PISTON ROD	1
14. 20 128	O-RING 15.3X2.4	1

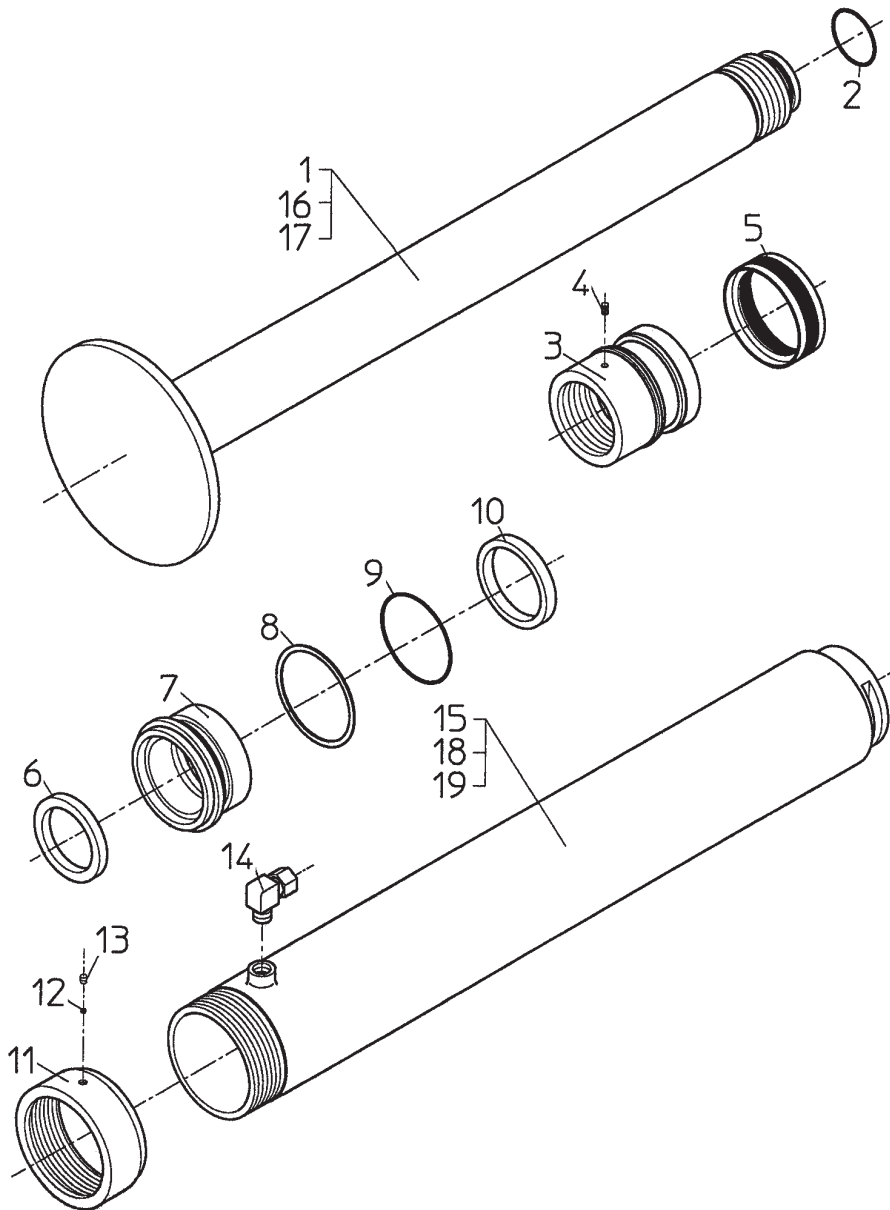
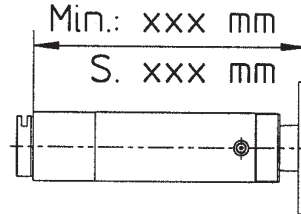
MIN: 3.9" (100mm)  
 S: 82.7" (2100mm)



**OUTRIGGER CYLINDER-C100-650 TYPE V**

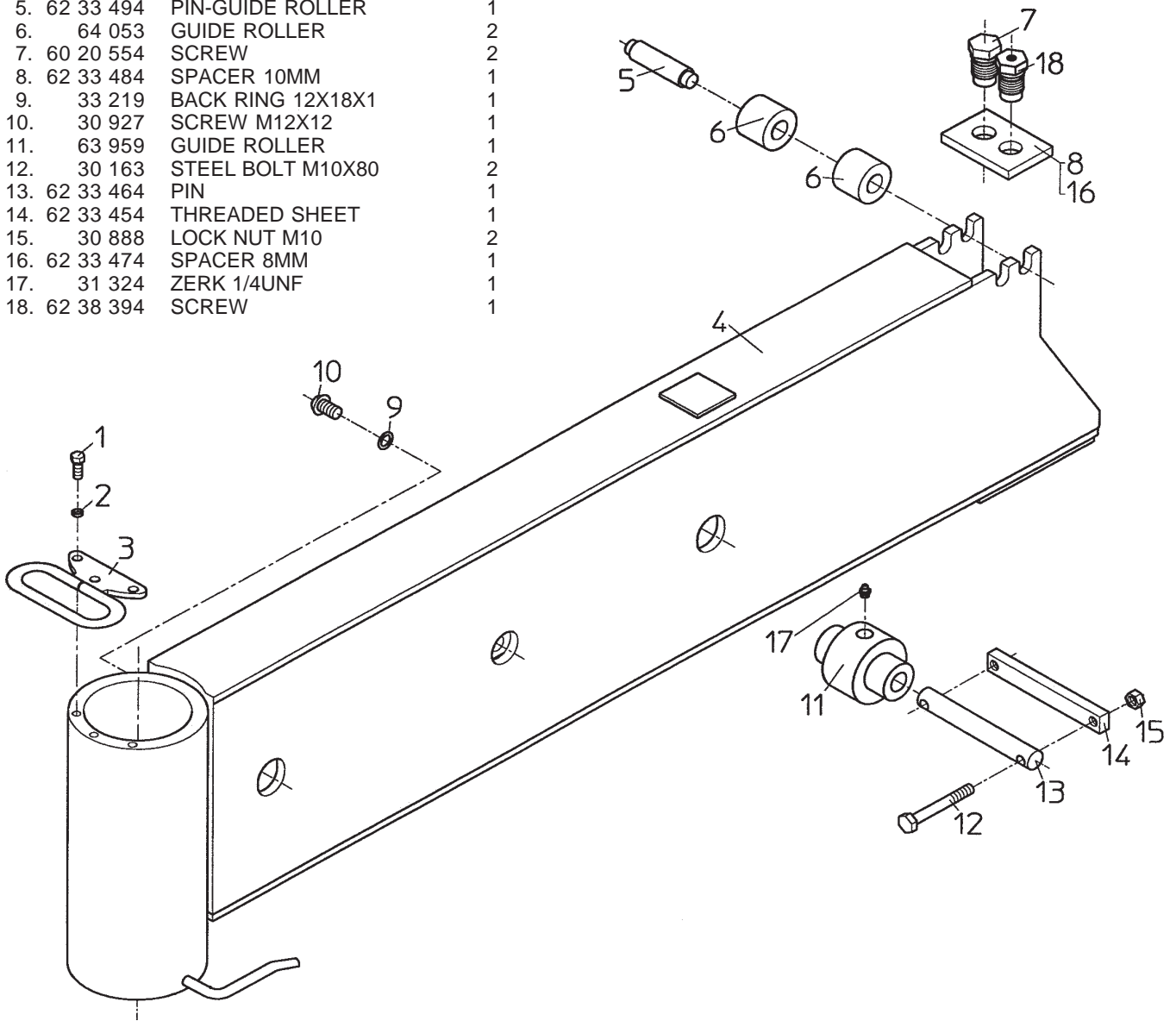
62 37 310	OUTRIGGER CYLINDER	1	9.	20 323	O-RING 89.1X5.7	1
62 37 320	OUTRIGGER CYLINDER	1	10.	20 670	SEAL 75X90X12	1
62 36 820	STABILIZER CYLINDER	1	11.	56 56 144	COUPLING NUT	1
68 92 800	SEAL KIT (INCL:2,5,6,8-10)	1	12.	31 109	LOCKING DISC Ø4.5X2	1
1. 60 64 143	PISTON ROD	1	13.	30 551	POINTED SCR MSP6X6	1
2. 20 183	O-RING 54.5X3	1	14.	25 132	CONNECTION	1
3. 60 00 833	PISTON	1	15.	62 31 113	CYLINDER	1
4. 30 903	SCREW MSP6X8	1	16.	58 71 903	PISTON ROD-COMplete	1
5. 20 790	DBL SLEEVE 100X86X22.5	1	17.	60 25 903	PISTON ROD	1
6. 20 523	SCRAPER 75X85X7/10	1	18.	62 35 523	CYLINDER	1
7. 60 00 824	GUIDE	1	19.	62 36 953	CYLINDER	1
8. 20 711	BACK RING 89.1X5.7	1				

TYPE	MIN:	S:
C100-500	29.3"(745mm)	19.7"(500mm)
C100-650	35.2"(895mm)	25.6"(650mm)
C100-800	41.1"(1045mm)	31.5"(800mm)



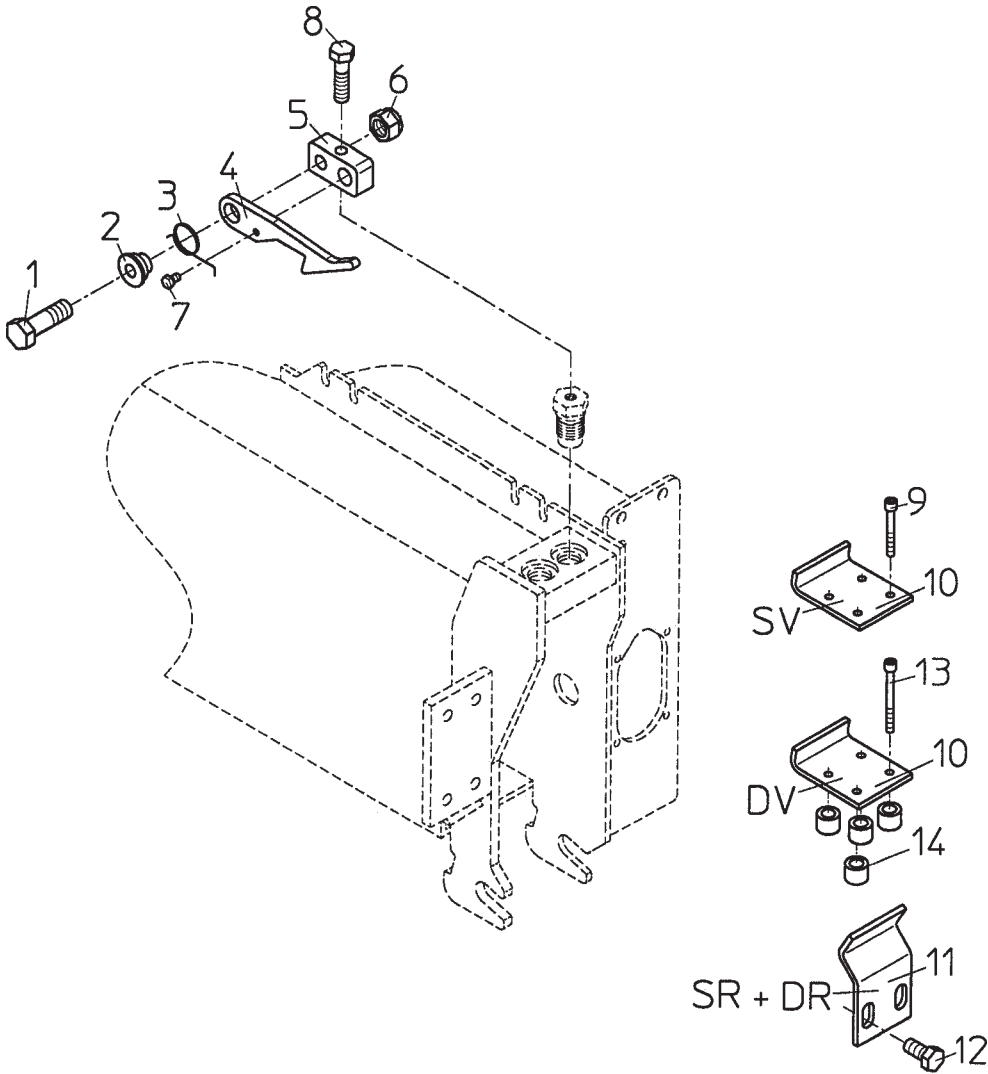
**OUTRIGGER BEAM-TYPE SV**

1.	30 131	SET SCR M8X16	3
2.	31 155	SPRING WASHER 8MM	3
3.	62 33 533	LOCK PLATE	1
4.	62 33 362	SGL EXTENSION 268MM	1
5.	62 33 494	PIN-GUIDE ROLLER	1
6.	64 053	GUIDE ROLLER	2
7.	60 20 554	SCREW	2
8.	62 33 484	SPACER 10MM	1
9.	33 219	BACK RING 12X18X1	1
10.	30 927	SCREW M12X12	1
11.	63 959	GUIDE ROLLER	1
12.	30 163	STEEL BOLT M10X80	2
13.	62 33 464	PIN	1
14.	62 33 454	THREADED SHEET	1
15.	30 888	LOCK NUT M10	2
16.	62 33 474	SPACER 8MM	1
17.	31 324	ZERK 1/4UNF	1
18.	62 38 394	SCREW	1



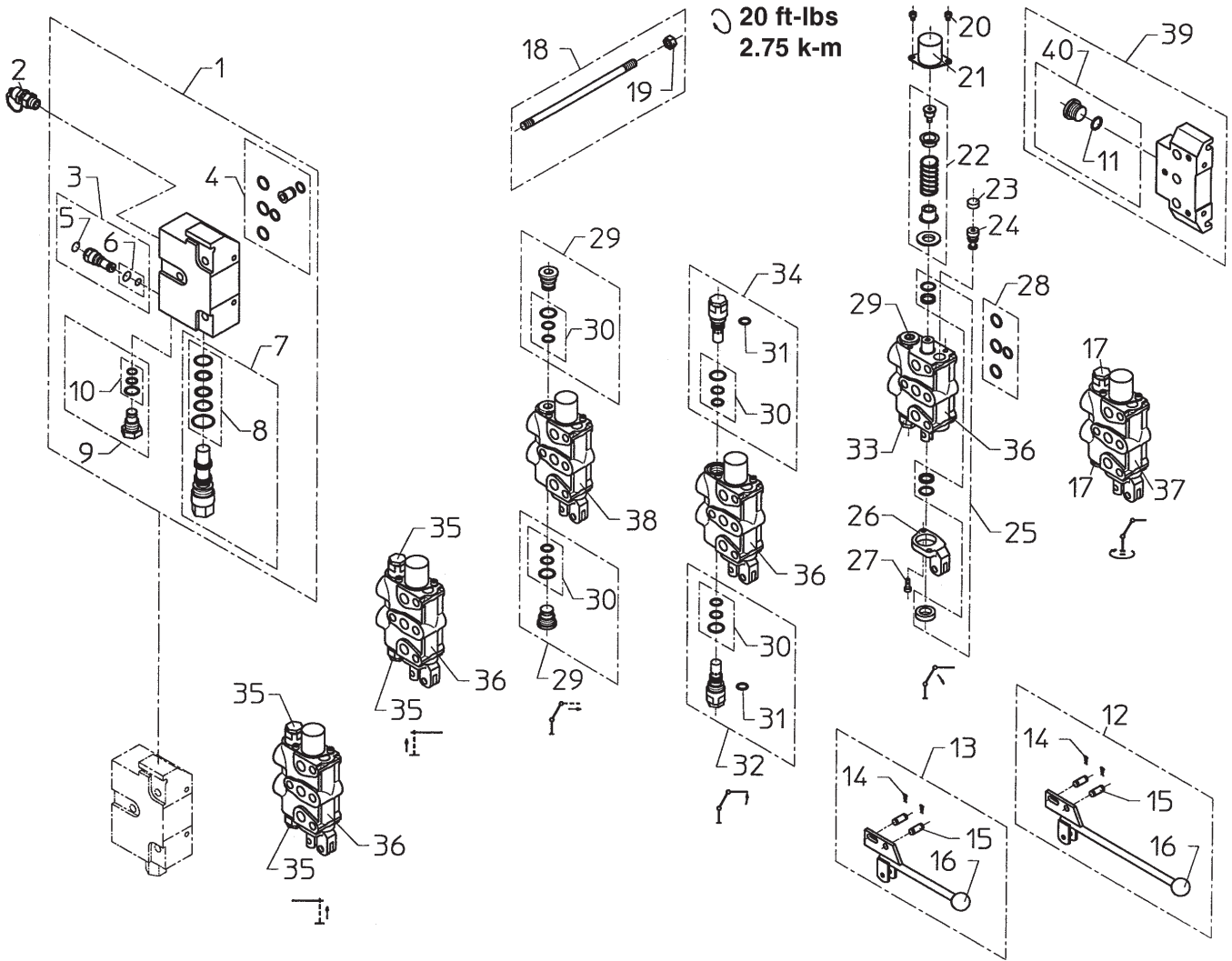
**OUTRIGGER LOCK-SV/DV/SR/DR**

1.	30 181	SET SCR M12X50	2
2.	62 45 264	BUSHING	2
3.	33 473	SPRING	2
4.	62 45 244	HOOK	2
5.	62 38 384	BRACKET-LOCK	2
6.	30 890	LOCK NUT M12	2
7.	30 110	SET SCR M6X10	2
8.	30 165	STEEL BOLT M10X45	2
9.	30 119	STEEL BOLT M6X50	8
10.	62 45 654	LOCK PLATE	2
11.	62 46 084	FITTINGS	2
12.	30 176	SET SCR M12X25	4
13.	30 199	STEEL BOLT M6X65	8
14.	62 54 634	DISTANCE RING	8



**VALVE GROUP RS210**

66 48 440	VALVE BLOCK-6 SECTION	1	21.	61 353	COVER
1.	59 529	INLET SECTION	22.	61 482	SPRING KIT
2.	26 103	PR GAUGE CONNECTION 1/4"	23.	61 688	PLUG
3.	59 242	RELIEF VALVE	24.	61 480	CHECK VALVE
4.	61 782	SEAL KIT	25.	61 365	SEAL KIT
5.	61 786	WASHER	26.	61 362	BRACKET-LEVER
6.	59 236	SEAL KIT	27.	30 420	SCREW MC5X14
7.	61 783	FLOW CONTROL VALVE	28.	61 490	SEAL KIT
8.	61 774	SEAL KIT	29.	61 479	PLUG
9.	61 780	PLUG	30.	61 493	SEAL KIT
10.	61 781	SEAL KIT	31.	20 121	O-RING 13.3X2.4
11.	20 129	O-RING 17.3X2.4	32.	61 670	RELIEF & ANTI-CAV VALVE 175BAR
12.	66 31 280	CONTROL LEVER-LONG	33.	61 520	RELIEF & ANTI-CAV VALVE 75BAR
13.	66 31 270	CONTROL LEVER-SHORT	34.	61 771	PORT RELIEF VALVE 275BAR
14.	61 320	LOCK-PIN	35.	61 467	PORT RELIEF VALVE 150BAR
15.	61 364	PIN	36.	59 141	CONTROL VALVE 1H
16.	64 262	BALL Ø32X10MM	37.	59 142	CONTROL VALVE 1M
17.	61 476	RELIEF & ANTI-CAV VALVE 150BAR	38.	59 143	CONTROL VALVE 4H
18.	59 585	KIT-STAY BOLTS-6 SECT 334MM	39.	61 426	OUTLET SECTION
19.	30 888	LOCK NUT M10	40.	61 366	PLUG 1/2"BSP
20.	31 596	SCREW MC5X6			

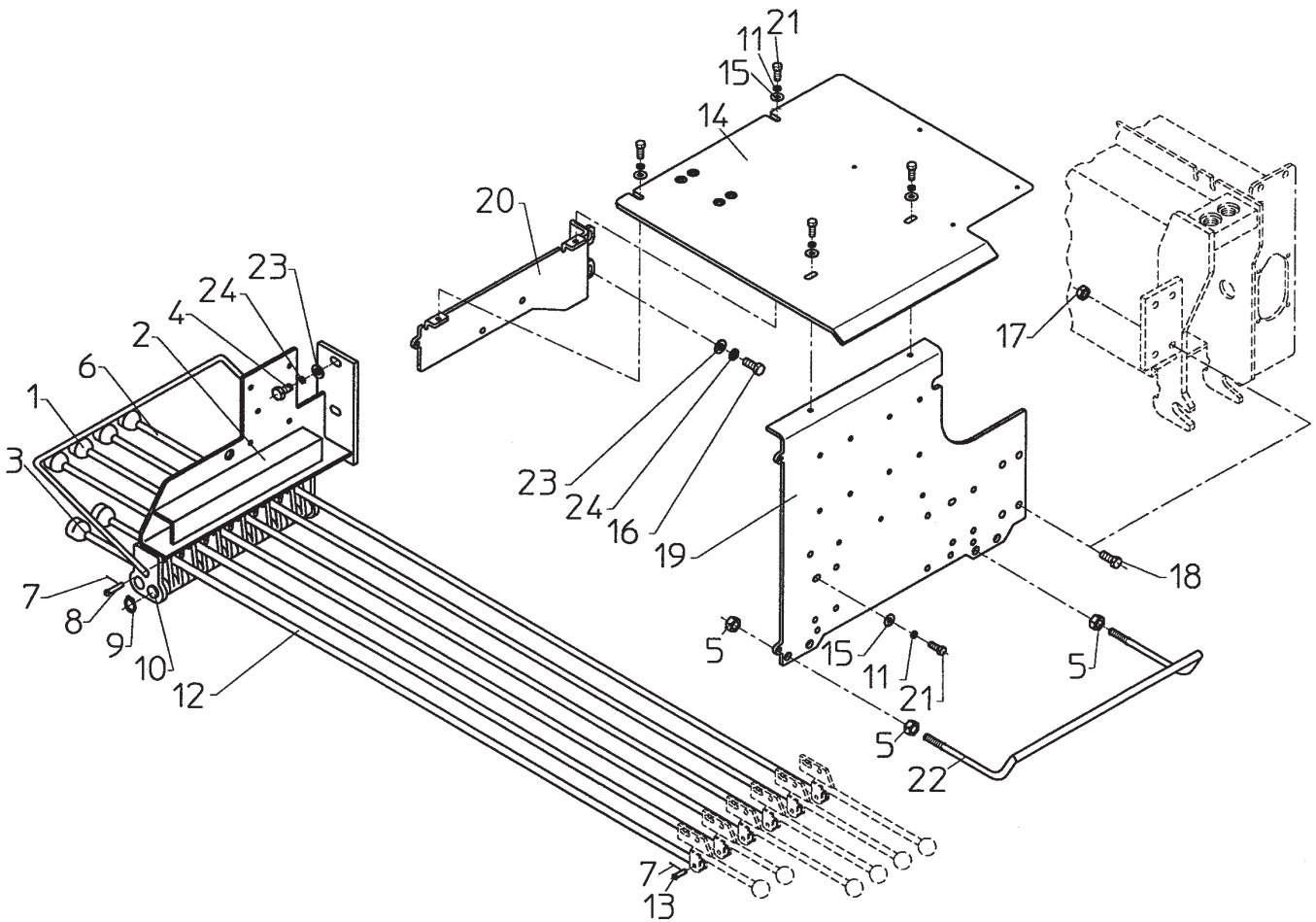


14/103: 506 05 100: 19990630

PARTS-24

**VALVE BRACKET & DUAL CONTROL**

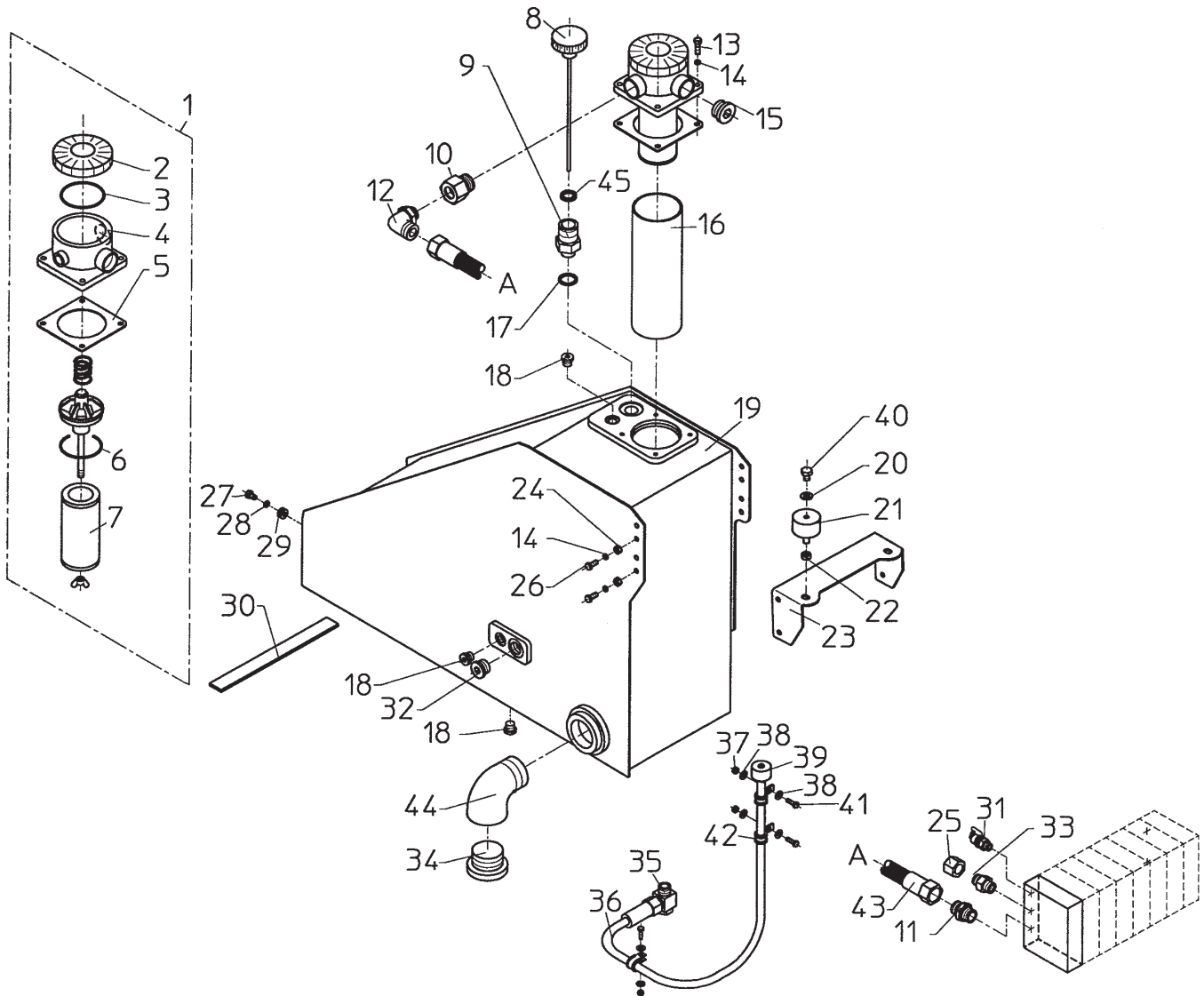
1.	64 256	BALL W/BUSHING #753	6	14.	68 82 072	SERVICE PLATFORM	1
2.	62 33 983	BRACKET	1	15.	31 754	WASHER 18X8.4X2	4
3.	66 60 933	CONTROL LEVER-SHORT	2	16.	30 156	SET SCR M10X30	4
4.	30 154	SET SCR M10X20	2	17.	30 888	LOCK NUT M10	4
5.	30 860	NUT M12	4	18.	30 156	SET SCR M8X20	4
6.	66 60 913	CONTROL LEVER-LONG	4	19.	68 82 042	VALVE BRACKET	1
7.	31 601	SPLIT PIN Ø1.5X20	12	20.	68 81 963	BRACKET	1
8.	31 274	COTTER BOLT Ø6X30	6	21.	30 132	SET SCR M8X20	8
9.	33 107	CIRCLIP 19U	2	22.	62 34 243	SAFETY GUARD	1
10.	66 61 034	PIN-LEVER	1	23.	31 177	WASHER 21X10.5X2	2
11.	31 155	SPRING WASHER 8MM	8	24.	31 156	SPRING WASHER 10MM	2
12.	61 37 004	CONNECTING ROD	6	25.	31 136	WASHER 8MM	2
13.	31 271	COTTER BOLT Ø6X20	6				





**HYDRAULIC SYSTEM-PUMP & TANK**

1.	60 251	RETURN FILTER 1"	1	23.	62 33 933	BRACKET	1
2.	60 264	COVER		24.	30 856	NUT M8	4
3.	60 293	O-RING 82.14X3.53		25.	25 841	PLUG-JIC	1
4.	60 267	FILTER CARTRIDGE		26.	30 131	SET SCR M8X16	4
5.	60 261	SEAL		27.	30 130	SET SCR M8X12	1
6.	20 188	O-RING 74.5X3		28.	31 150	WASHER 8MM	1
7.	60 258	FILTER CARTRIDGE		29.	27 996	LEAD-IN	1
8.	59 301	FILLER PLUG	1	30.	42 276	RUBBER STRIP 300X30X5	1
9.	62 02 624	OIL FILLER NECK	1	31.	26 103	PR GAUGE CONNECTION	1
10.	25 228	REDUCING CONNECTION	1	32.	26 355	PLUG	1
11.	25 836	SCREW-IN CONNECTION-JIC	1	33.	25 833	CONNECTION-JIC	1
12.	25 840	CONNECTION-JIC	1	34.	25 398	PLUG 2"	1
13.	30 134	SET SCR M8X25	4	35.	26 344	BANJO CONNECTION	1
14.	31 155	SPRING WASHER 8MM	8	36.	62 34 340	HOSE	1
15.	26 321	PLUG	1	37.	30 854	NUT M6	3
16.	60 253	PIPE	1	38.	31 134	WASHER 6MM	6
17.	21 108	SEAL WASHER Ø27X34.93X2.34	1	39.	60 208	AIR FILTER 1/4"BSP	1
18.	25 277	PLUG	3	40.	30 152	SET SCR M10X14	2
19.	59 696	OIL TANK	1	41.	30 113	SET SCR M6X20 3	3
20.	31 177	WASHER 21X10.5X2	2	42.	31 446	SUSPENSION 15-16MM	3
21.	61 911	TORSION BALANCER	2	43.	62 869	HOSE-JIC 3/4X1200 O/O	1
22.	30 888	LOCK NUT M10	2	44.	25 430	ELBOW 2"	1
				45.	20 817	RUBBER SEAL ØX30X4	1

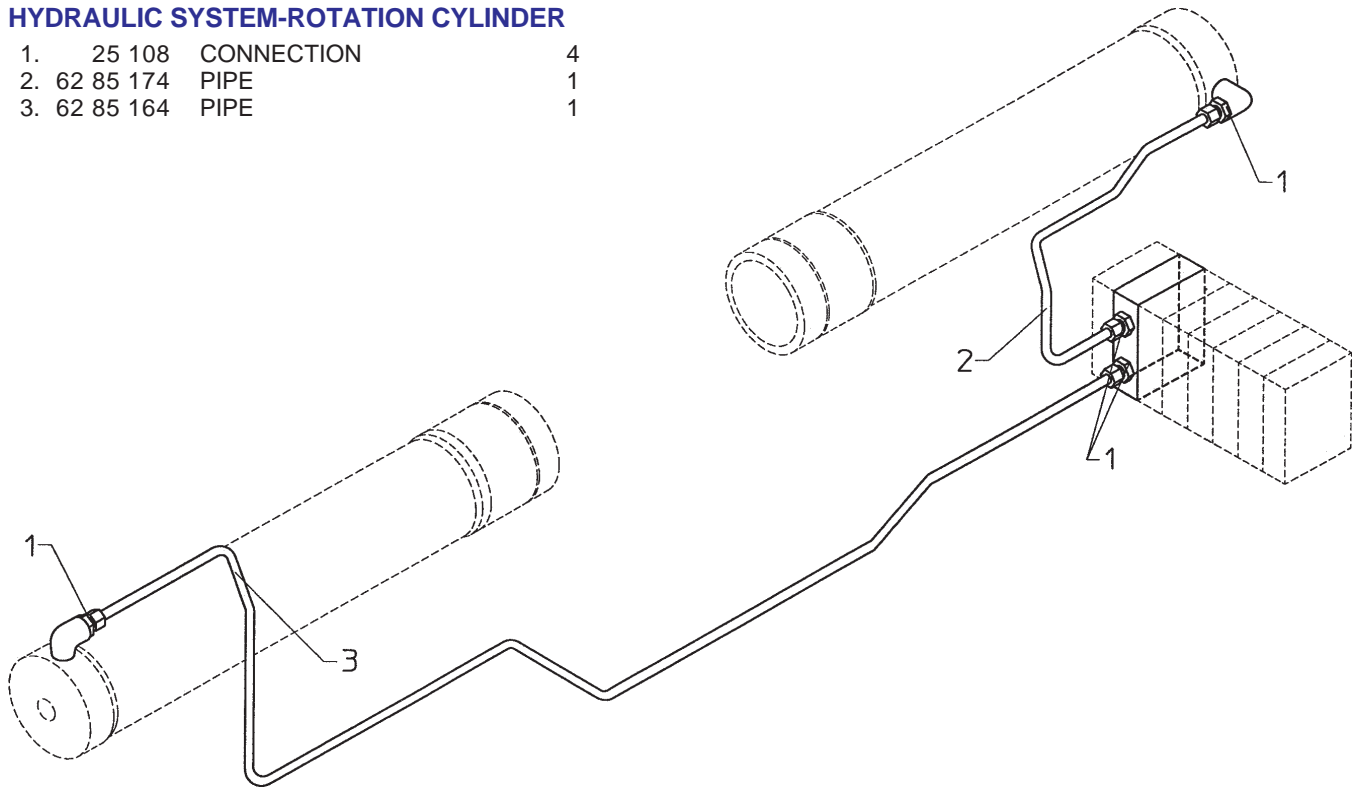


14/103: 506 05 200: 19990630

PARTS-26

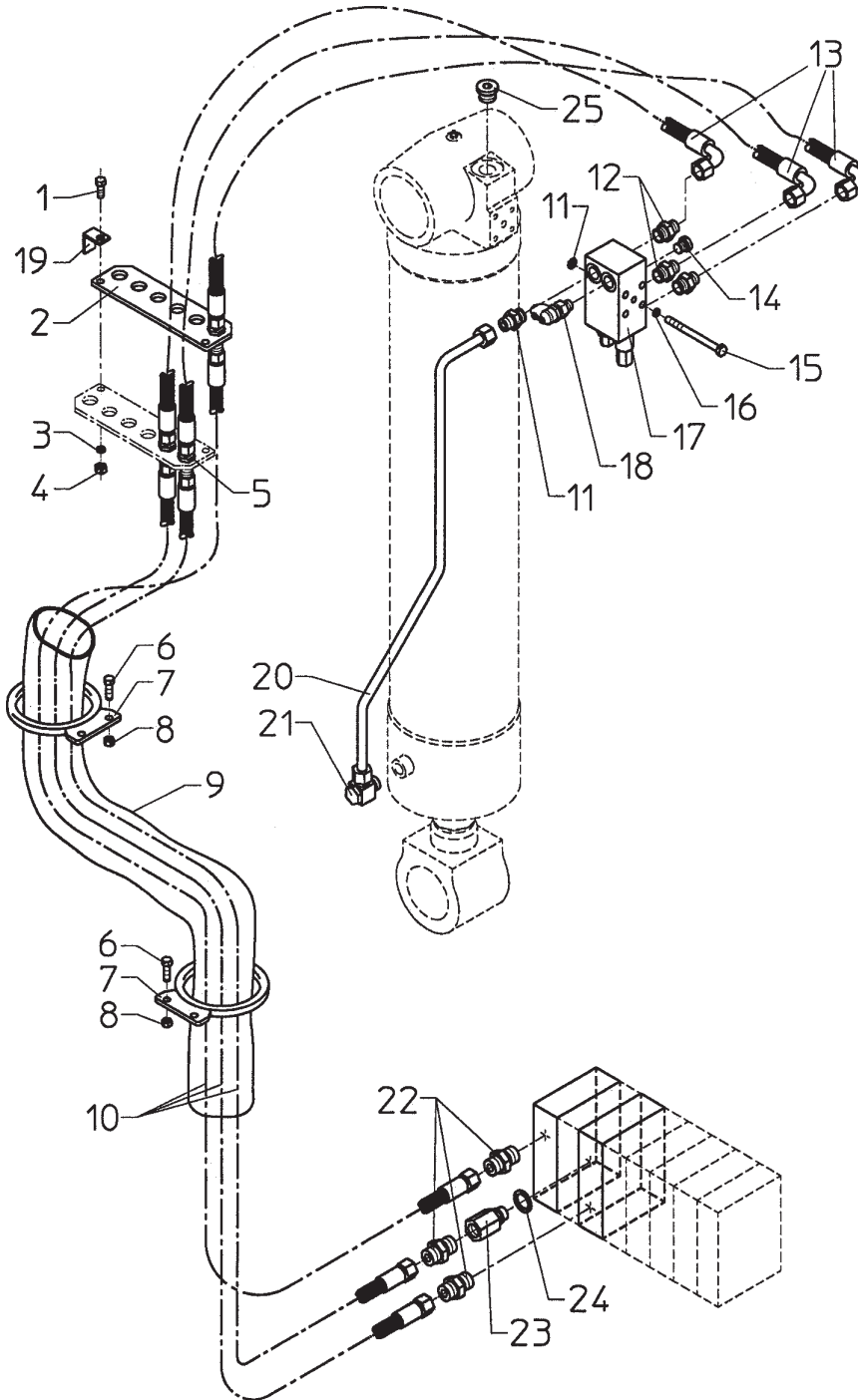
**HYDRAULIC SYSTEM-ROTATION CYLINDER**

1.	25 108	CONNECTION	4
2.	62 85 174	PIPE	1
3.	62 85 164	PIPE	1



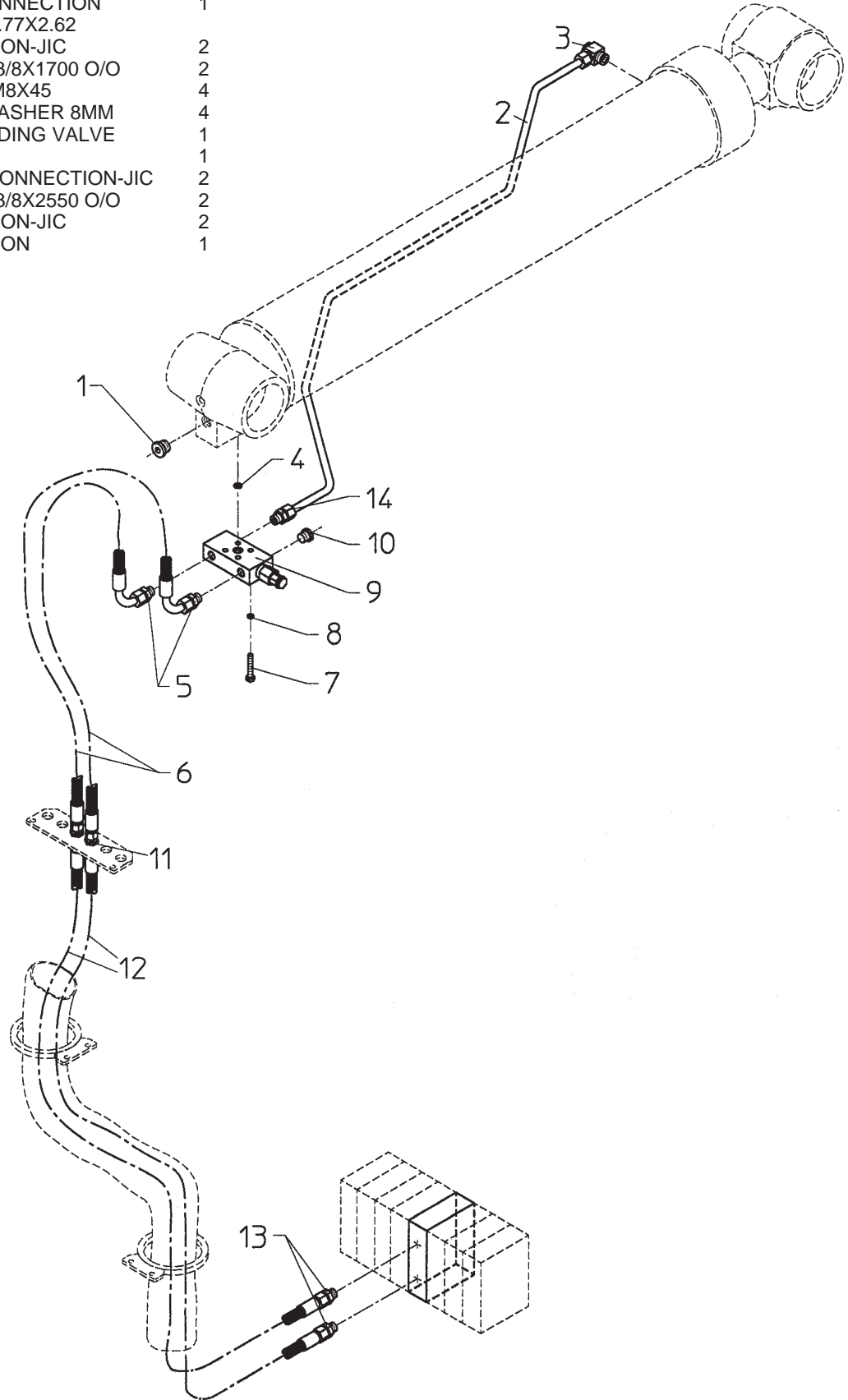
**HYDRAULIC SYSTEM-INNER BOOM CYLINDER**

1.	30 132	SET SCR M8X20	2	13.	62 858	HOSE-JIC 3/8X1400 V/O	3
2.	62 37 574	HOSE BRACKET	1	14.	25 197	PLUG	1
3.	20 133	O-RING 12.3X2.4	1	15.	30 142	STEEL BOLT M8X70	4
4.	30 856	NUT M8	2	16.	31 155	SPRING WASHER 8MM	4
5.	25 824	BULKHD CONNECTION-JIC	3	17.	59 979	LOAD HOLDING VALVE	1
6.	30 134	SET SCR M8X25	4	18.	26 103	PR GAUGE CONNECTION 1/4	1
7.	61 73 363	HOSE GUIDE	2	19.	62 32 984	ELBOW	2
8.	30 886	LOCK NUT M8	4	20.	62 37 764	PIPE	1
9.	62 599	PROTECTIVE COVER	1	21.	25 130	BANJO CONNECTION	1
10.	62 861	HOSE-JIC 3/8X2550 O/O	3	22.	25 832	CONNECTION-JIC	3
11.	25 127	CONNECTION	1	23.	60 295	FLOW CONTROL VALVE	1
12.	25 831	CONNECTION-JIC	3	24.	21 106	SEAL WASHER Ø21.5X28.7X2.5	1
				25.	25 103	PLUG	1



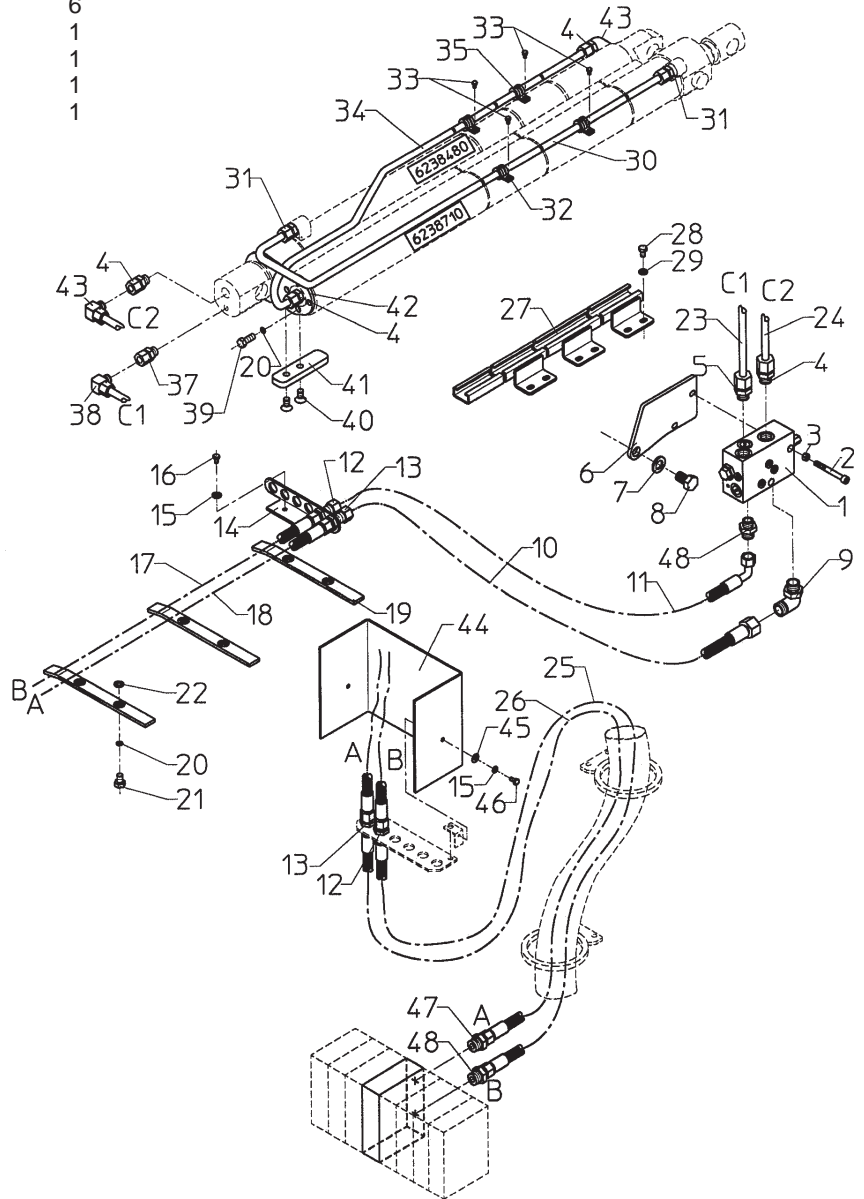
**HYDRAULIC SYSTEM-OUTER BOOM CYLINDER**

1.	25 103	PLUG	1
2.	62 31 474	PIPE	1
3.	25 130	BANJO CONNECTION	1
4.	20 138	O-RING 10.77X2.62	
5.	25 831	CONNECTION-JIC	2
6.	62 859	HOSE-JIC 3/8X1700 O/O	2
7.	30 138	SET SCR M8X45	4
8.	31 155	SPRING WASHER 8MM	4
9.	59 955	LOAD HOLDING VALVE	1
10.	25 277	PLUG	1
11.	25 824	BULKHD CONNECTION-JIC	2
12.	62 861	HOSE-JIC 3/8X2550 O/O	2
13.	25 832	CONNECTION-JIC	2
14.	25 127	CONNECTION	1



**HYDRAULIC SYSTEM-EXTENSION CYLINDER (2H)**

1.	59 005	LOAD HOLDING VALVE	1	27.	62 38 752	SLIDE BAR	1
2.	31 968	SCREW	2	28.	30 130	SET SCR M8X12	6
3.	30 886	LOCK NUT M8	2	29.	31 155	SPRING WASHER 8MM	6
4.	26 334	CONNECTION	4	30.	62 57 034	PIPE	1
5.	25 108	CONNECTION	1	31.	25 127	CONNECTION	2
6.	62 52 173	BRACKET	1	32.	27 974	CLIP	2
7.	31 135	WASHER Ø30X17X3	1	33.	30 109	SET SCR M6X8	4
8.	30 266	SET SCR M16X25	1	34.	62 57 024	PIPE	1
9.	25 839	CONNECTION-JIC	1	35.	31 446	SUSPENSION 15-16MM	2
10.	62 866	HOSE-JIC 1/2X850 O/O	1	37.	25 240	CONNECTION	1
11.	62 879	HOSE-JIC 3/8X850 O/V	1	38.	25 242	CONNECTION	1
12.	25 824	BULKHD CONNECTION-JIC	2	39.	30 155	SET SCR M10X25	2
13.	25 825	BULKHD CONNECTION-JIC	2	40.	30 545	SCREW MK10X20	2
14.	62 37 583	HOSE BRACKET	1	41.	62 38 784	SLIDE BLOCK	1
15.	31 154	SPRING WASHER 6MM	4	42.	62 38 774	GUIDE	1
16.	30 653	SCREW ULS6X10	2	43.	26 340	CONNECTION	1
17.	62 864	HOSE-JIC 3/8X3900 O/O	1	44.	62 39 003	PROTECTIVE PLATE	1
18.	62 868	HOSE-JIC 1/2X3900 O/O	1	45.	31 134	WASHER 6MM	2
19.	62 32 204	FITTINGS	3	46.	30 111	SET SCR M6X12	2
20.	31 156	SPRING WASHER 10MM	8	47.	25 833	CONNECTION-JIC	1
21.	30 153	SET SCR M10X16	6	48.	25 832	CONNECTION-JIC	2
22.	31 172	WASHER 10MM	6				
23.	62 38 864	PIPE	1				
24.	62 38 854	PIPE	1				
25.	62 861	HOSE-JIC 3/8X2550 O/O	1				
26.	62 867	HOSE-JIC 1/2X2600 O/O	1				

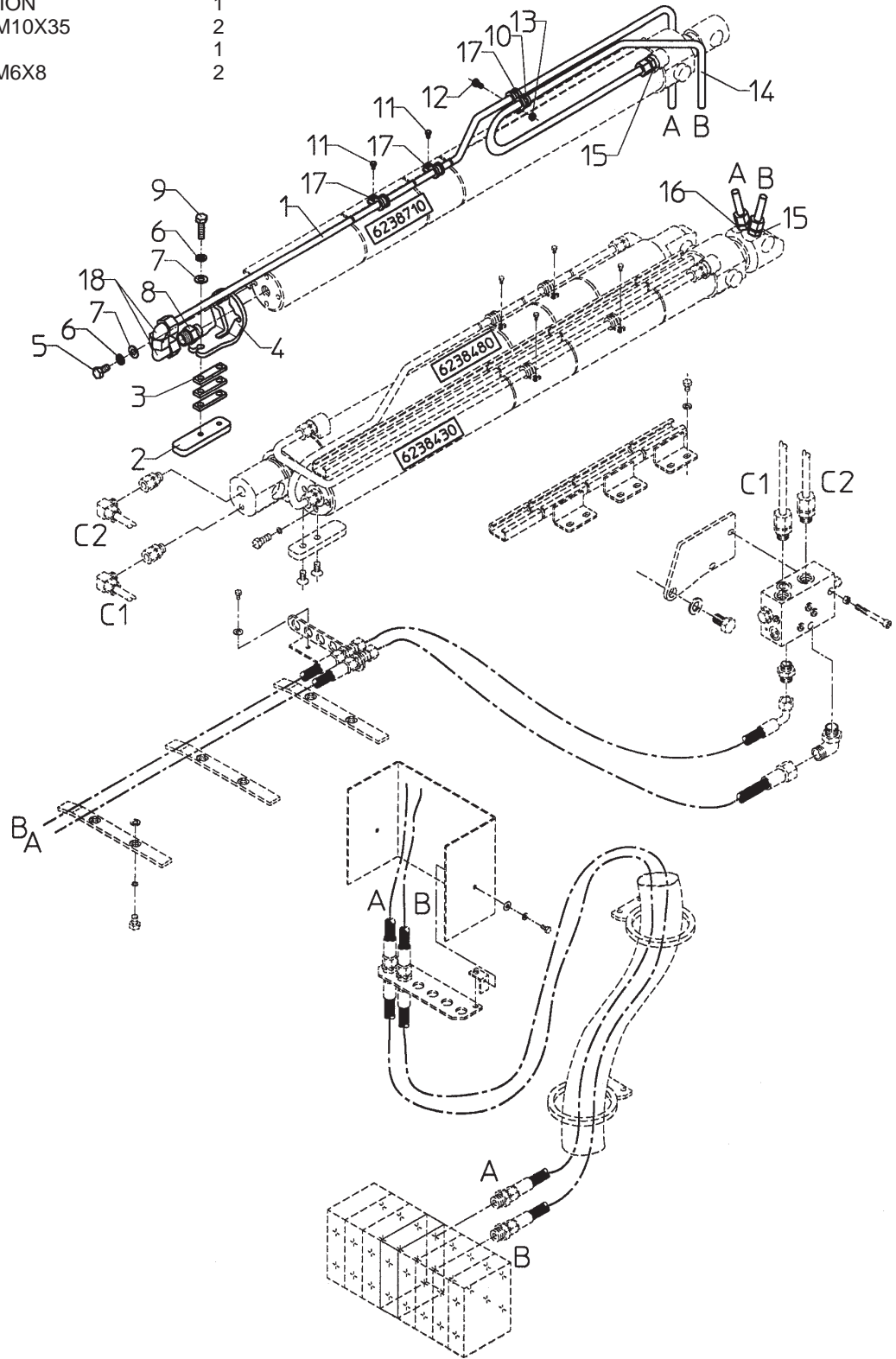


14/103: 506 05 370: 19990630

PARTS-30

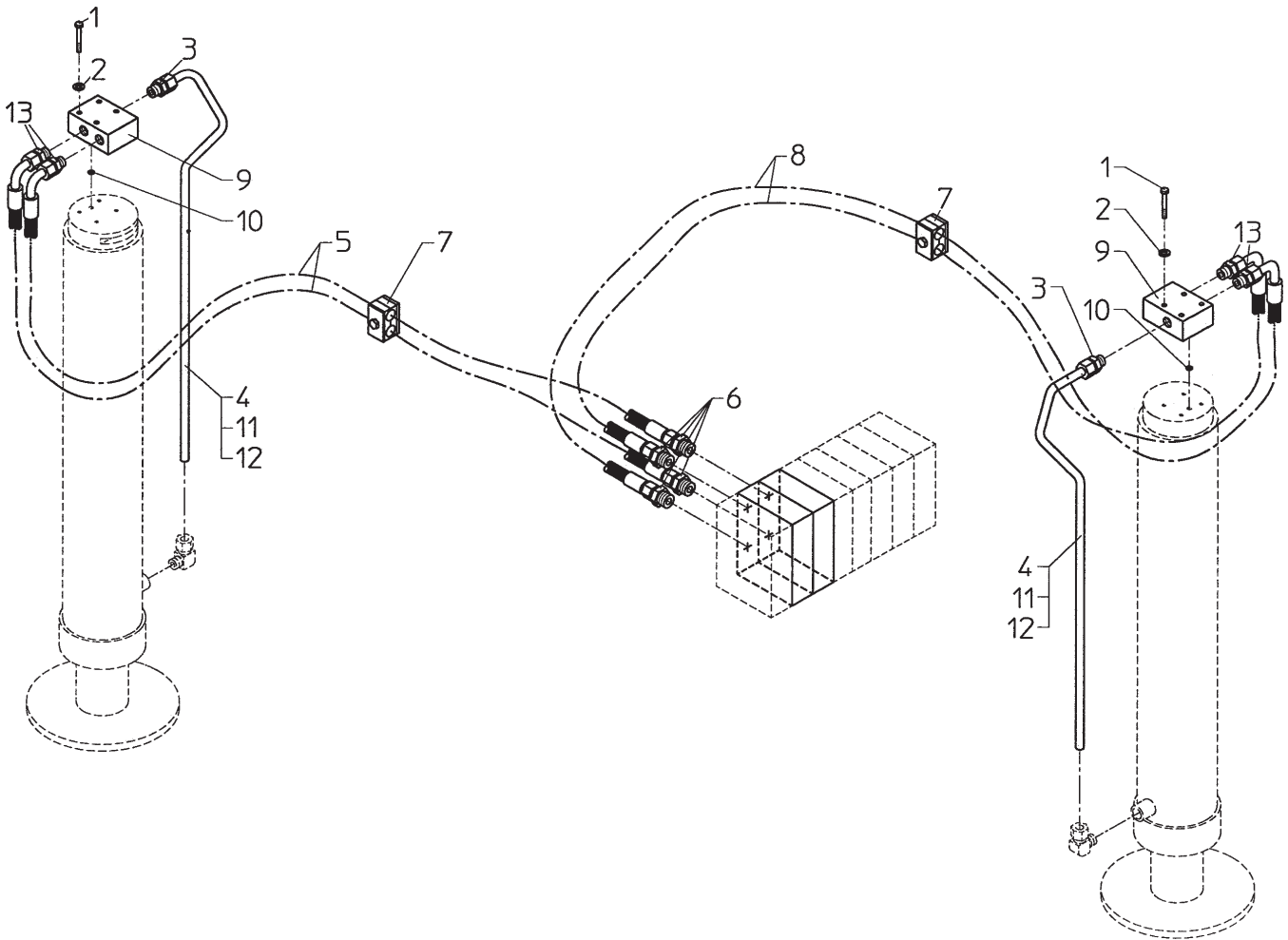
**HYDRAULIC SYSTEM-EXTENSION CYLINDER (3H)**

1.	62 57 044	PIPE	1	12.	30 111	SET SCR M6X12	1
2.	62 94 374	SLIDE BLOCK	1	13.	30 854	NUT M6	1
3.	62 94 364	SPACER		14.	62 33 124	PIPE	1
4.	62 97 323	PLATE	1	15.	25 127	CONNECTION	2
5.	30 154	SET SCR M10X20	2	16.	26 368	CONNECTION	1
6.	31 156	SPRING WASHER 10MM	4	17.	31 446	SUSPENSION 15-16MM	3
7.	31 172	WASHER 10MM	4	18.	26 340	CONNECTION	2
8.	26 334	CONNECTION	1				
9.	30 157	SET SCR M10X35	2				
10.	27 974	CLIP	1				
11.	30 109	SET SCR M6X8	2				



**HYDRAULIC SYSTEM-OUTRIGGERS-TYPE SV**

1.	30 118	STEEL BOLT M6x45	8
2.	31 154	SPRING WASHER 6MM	8
3.	25 127	CONNECTION	2
4.	62 37 724	PIPE	1
5.	62 865	HOSE-JIC 3/8X4250 V/O	2
6.	25 832	CONNECTION-JIC	4
7.	31 456	DBL CLAMP 2X18MM	2
8.	62 862	HOSE-JIC 3/8X2600 V/O	2
9.	59 924	PILOTED CHECK VALVE	2
10.	20 137	O-RING 9.19X2.62	2
11.	62 35 544	PIPE	2
12.	62 36 974	PIPE	2
13.	25 831	CONNECTION-JIC	4



14/103: DECALKIT: 20000510

PARTS-32

**DECAL KIT-ENGLISH (95715498)**

1.	70029251	IMT DIAMOND	2
2.	70391613	GREASE WEEKLY-RH	7
3.	70392813	DANGER-ELECTROCUTION	2
4.	70392814	DANGER-OPER TRAINING	2
5.	70392815	DANGER-OPERATION	2
6.	70392863	DANGER-HOISTING PERS	2
7.	70392864	DANGER-OUTRG STD CLR	2
8.	70392865	DANGER-ELEC HAZARD-LG	4
9.	70392866	DANGER-OPER COND	2
10.	70392867	DANGER-OUTRG MOVING	2
11.	70392868	DANGER-CRANE LOADLINE	4
12.	70392888	DANGER-OPER RESTRICT	2
13.	70392890	DANGER-STOW/UNFOLD	2
14.	70392891	DANGER-DRIVELINE	2
15.	70394189	OIL RECOMMENDATIONS	1
16.	70394670	IMT MATL HNDLNG SYS	2
17.	70029119	SERIAL NUMBER	1

**CAPACITY CHARTS & ID**

1.	70395269	14/103-1H	2
2.	70395270	14/103-2H	2
3.	70395271	14/103-3H	2
4.	70395268	ID 14/103 SERIES	2

**DECAL KIT-SPANISH (95715499)**

1.	70029251	IMT DIAMOND	2
2.	76393551	GREASE WEEKLY-RH	7
3.	70393516	DANGER-ELECTROCUTION	2
4.	70393515	DANGER-OPER TRAINING	2
5.	70393514	DANGER-OPERATION	2
6.	70394756	DANGER-HOISTING PERS	2
7.	70393513	DANGER-OUTRG STD CLR	2
8.	70394633	DANGER-ELEC HAZARD-LG	4
9.	70393511	DANGER-OPER COND	2
10.	70393510	DANGER-OUTRG MOVING	2
11.	70394775	DANGER-CRANE LOADLINE	4
12.	70393509	DANGER-OPER RESTRICT	2
13.	70393507	DANGER-STOW/UNFOLD	2
14.	70393508	DANGER-DRIVELINE	2
15.	70394189	OIL RECOMMENDATIONS	1
16.	70394670	IMT MATL HNDLNG SYS	2
17.	70029119	SERIAL NUMBER	1

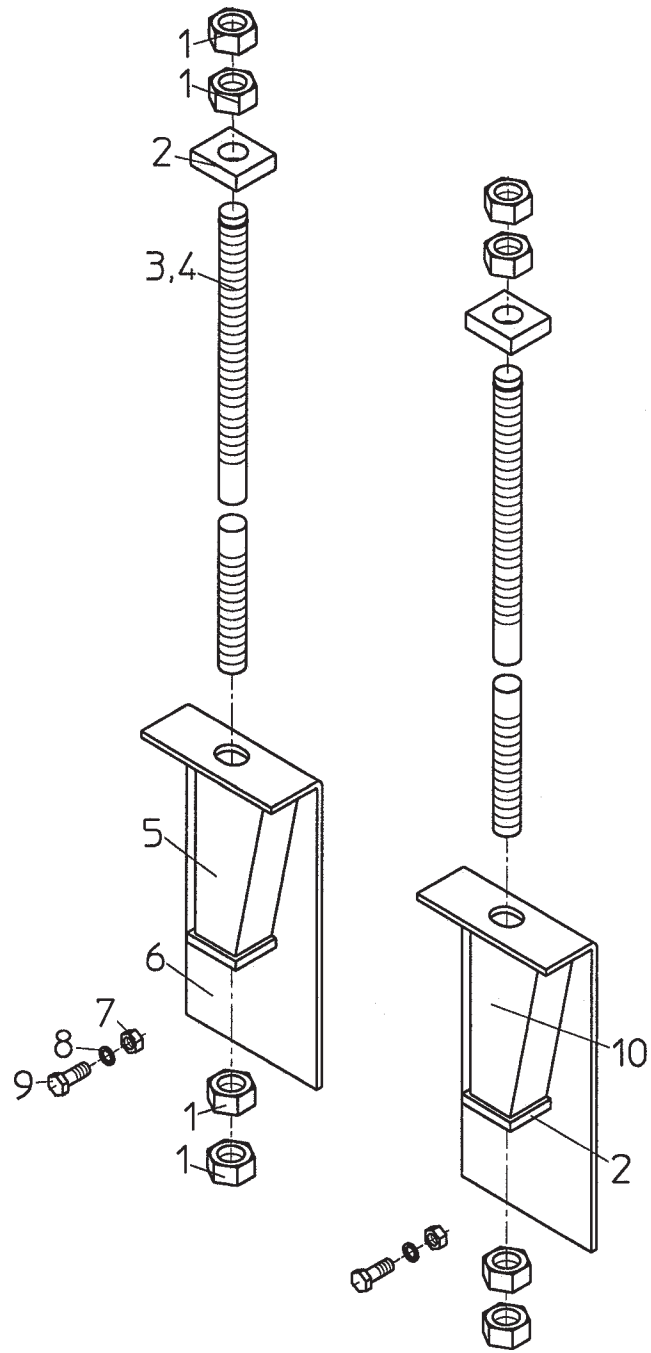
**DECAL KIT-FRENCH (95715500)**

1.	70029251	IMT DIAMOND	2
2.	70393840	GREASE WEEKLY-RH	7
3.	70393836	DANGER-ELECTROCUTION	2
4.	70393829	DANGER-OPER TRAINING	2
5.	70393833	DANGER-OPERATION	2
6.	70393844	DANGER-HOISTING PERS	2
7.	70393828	DANGER-OUTRG STD CLR	2
8.	70394627	DANGER-ELEC HAZARD-LG	4
9.	70393830	DANGER-OPER COND	2
10.	70393831	DANGER-OUTRG MOVING	2
11.	70393848	DANGER-CRANE LOADLINE	4
12.	70393832	DANGER-OPER RESTRICT	2
13.	70393835	DANGER-STOW/UNFOLD	2
14.	70393834	DANGER-DRIVELINE	2
15.	70394189	OIL RECOMMENDATIONS	1
16.	70394670	IMT MATL HNDLNG SYS	2
17.	70029119	SERIAL NUMBER	1



**MOUNTING FITTINGS**

	68 81 220	MOUNTING FITTINGS	1
1.	30 895	NUT M30X1.5	
2.	66 58 094	WASHER	
3.	66 58 784	MOUNTING BOLT 600MM	
4.	66 61 474	MOUNTING BOLT 710MM	
5.	68 81 694	U-SECTION-RIGHT	
6.	68 81 704	MOUNTING PLATE	
7.	30 891	LOCK NUT M14	
8.	31 111	WASHER 14MM	
9.	31 497	STEEL BOLT M14X40	
10.	68 81 684	U-SECTION-LEFT	
	68 81 220	KIT (INCL:1-10)	



# **IMT**

---

**MATERIAL HANDLING SYSTEMS**

**IOWA MOLD TOOLING CO., INC.**

**BOX 189, GARNER, IA 50438-0189**

**641-923-3711**

**TECHNICAL SUPPORT FAX: 641-923-2424**

**MANUAL PART NUMBER: 99903051**